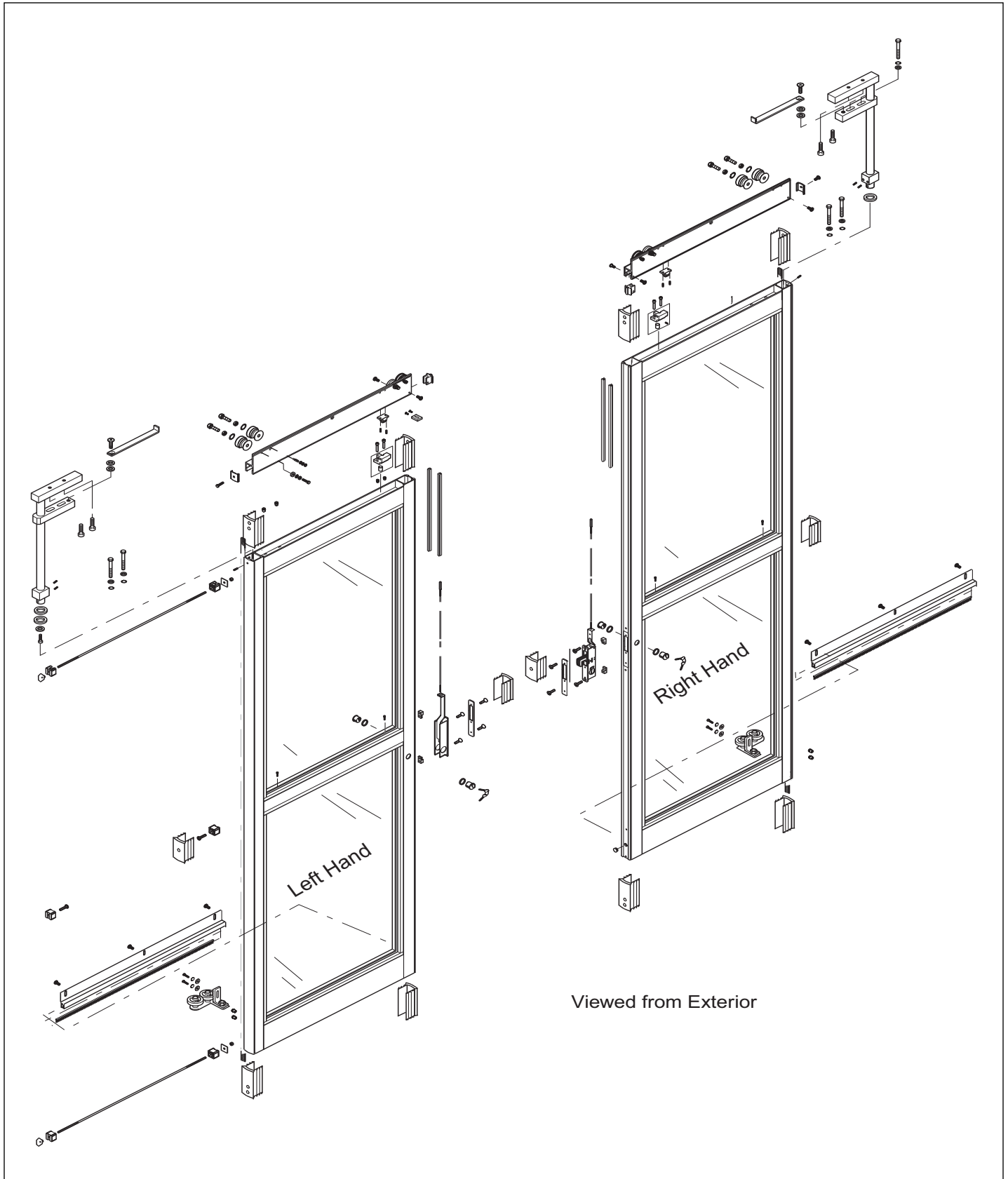


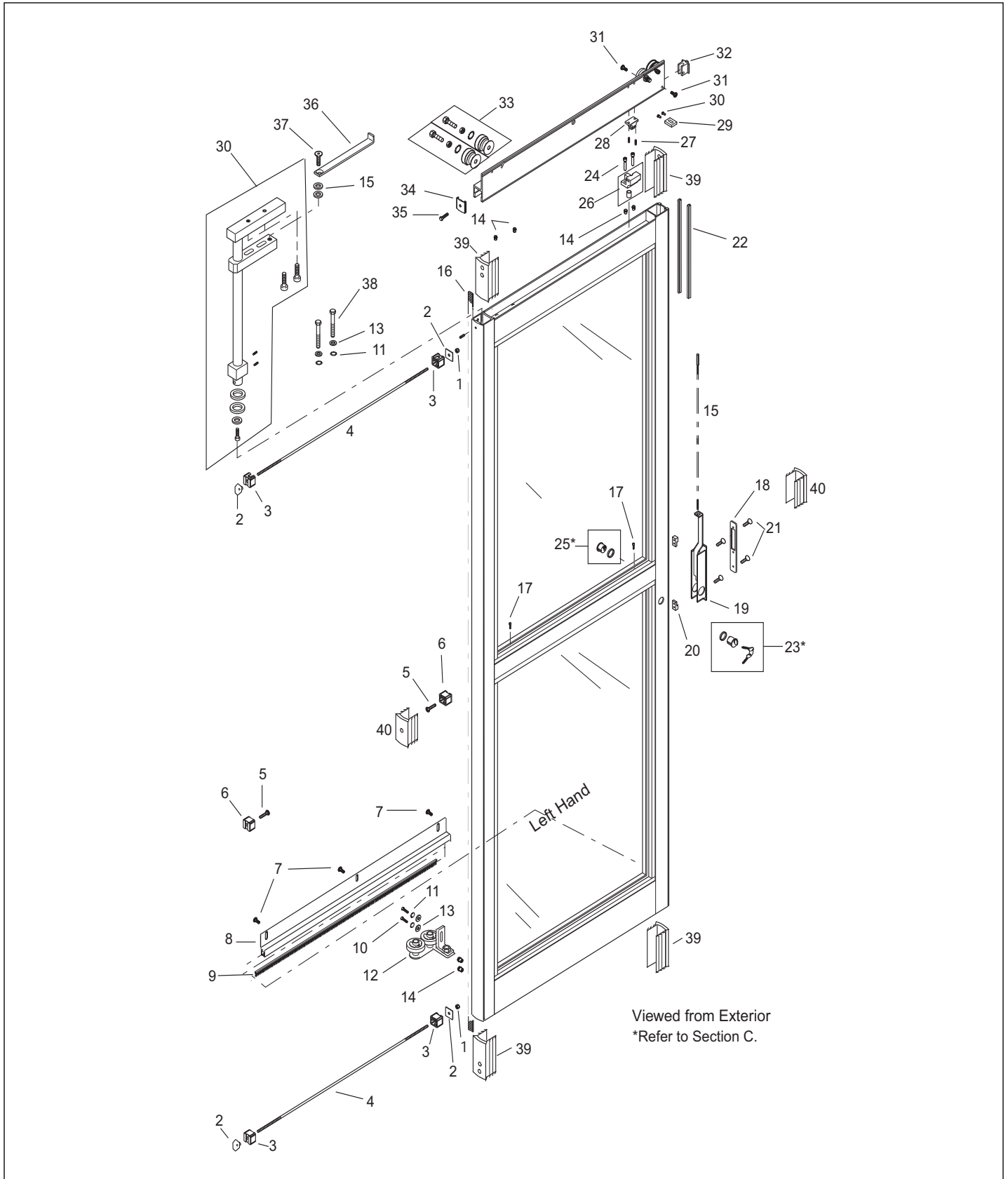
**Section E4**  
**GT1175 Telescopic, Fixed Sidelite**

Lead Door Panels . . . . .	3-6
Trail Door Panels . . . . .	7-9
Fixed Door Panels . . . . .	10-11
Threshold . . . . .	12
Header . . . . .	13-15

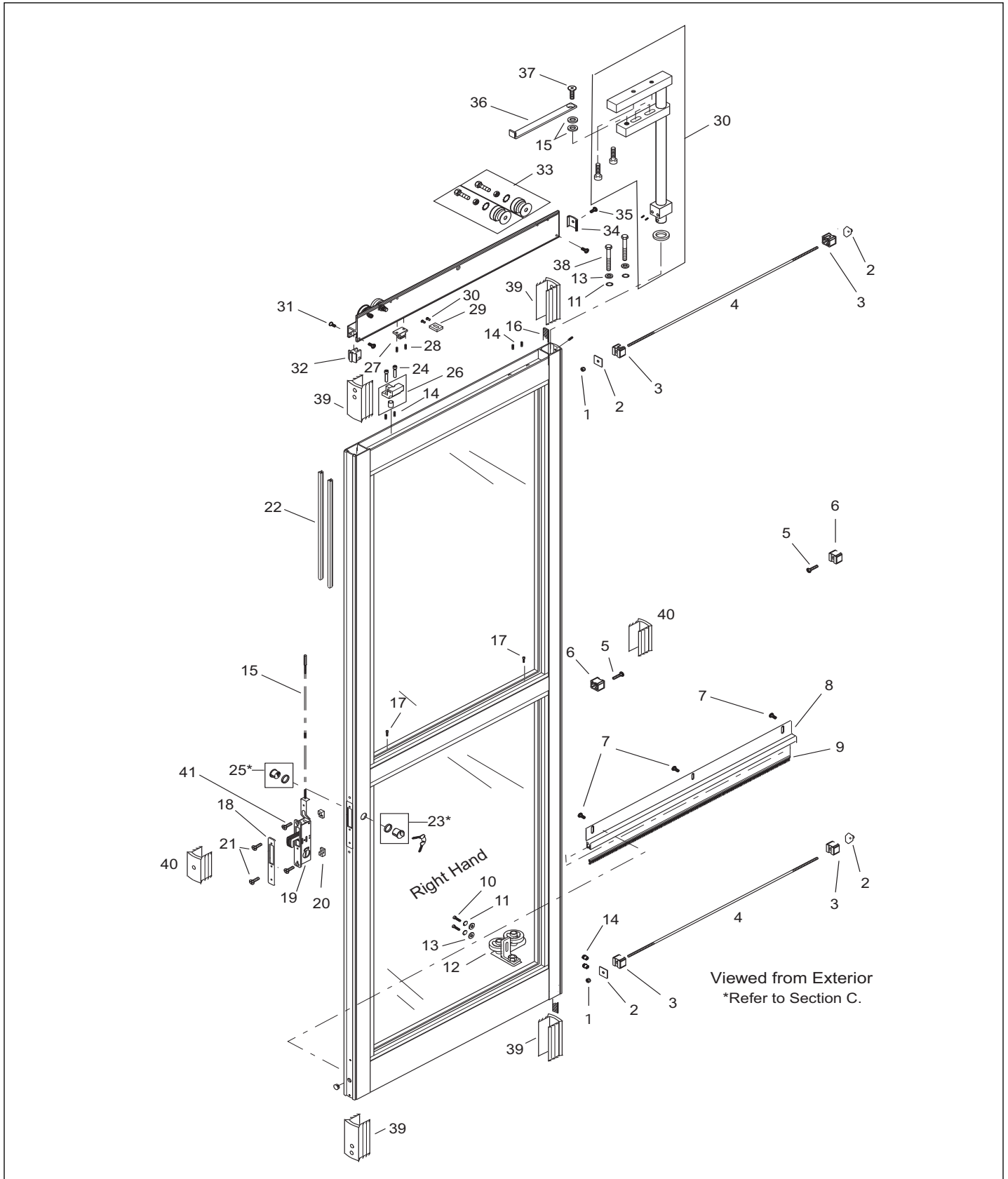
**This Page Intentionally Left Blank**



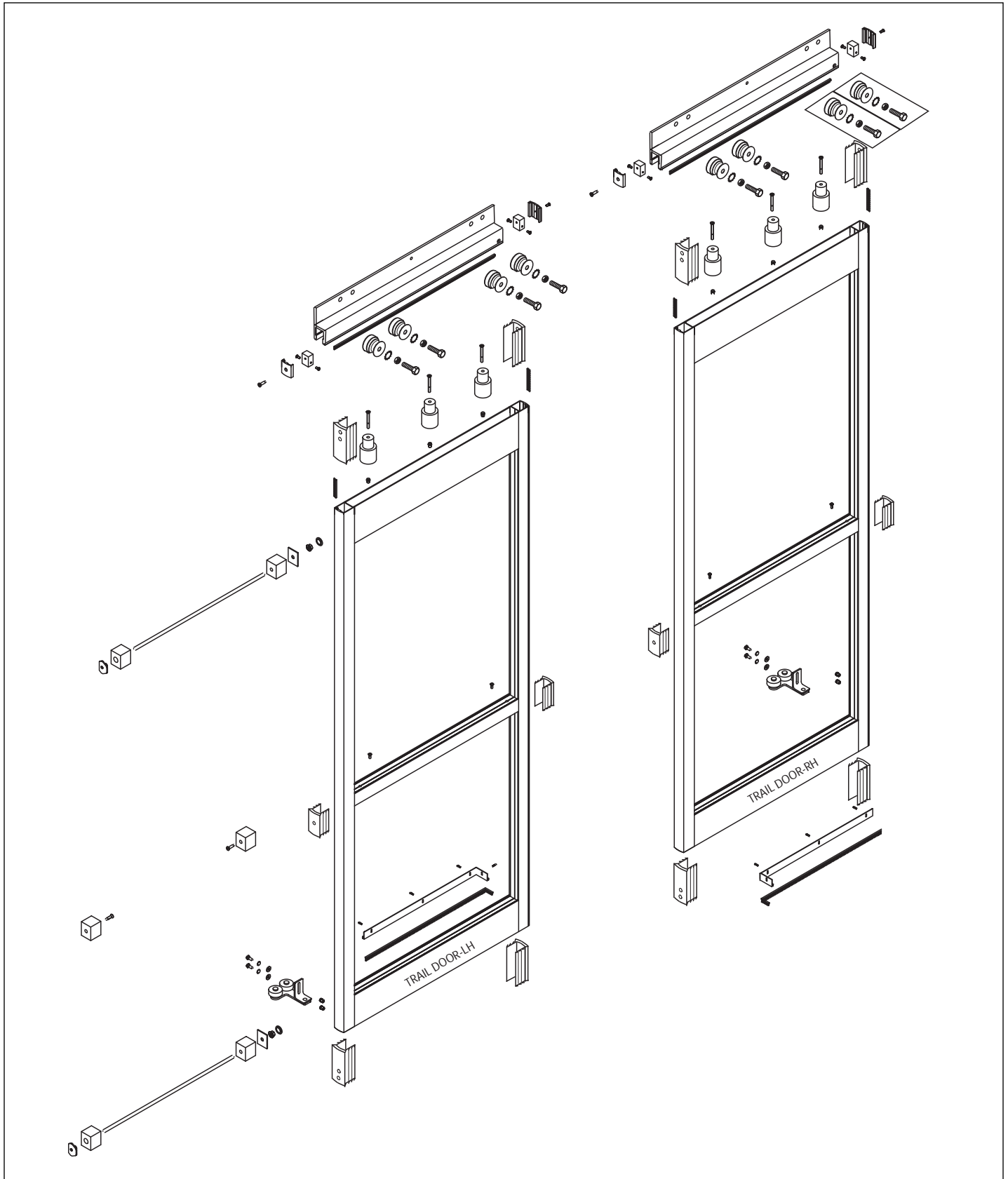
# 1175 Telescopic Fixed Sidelight Lead Door Panels



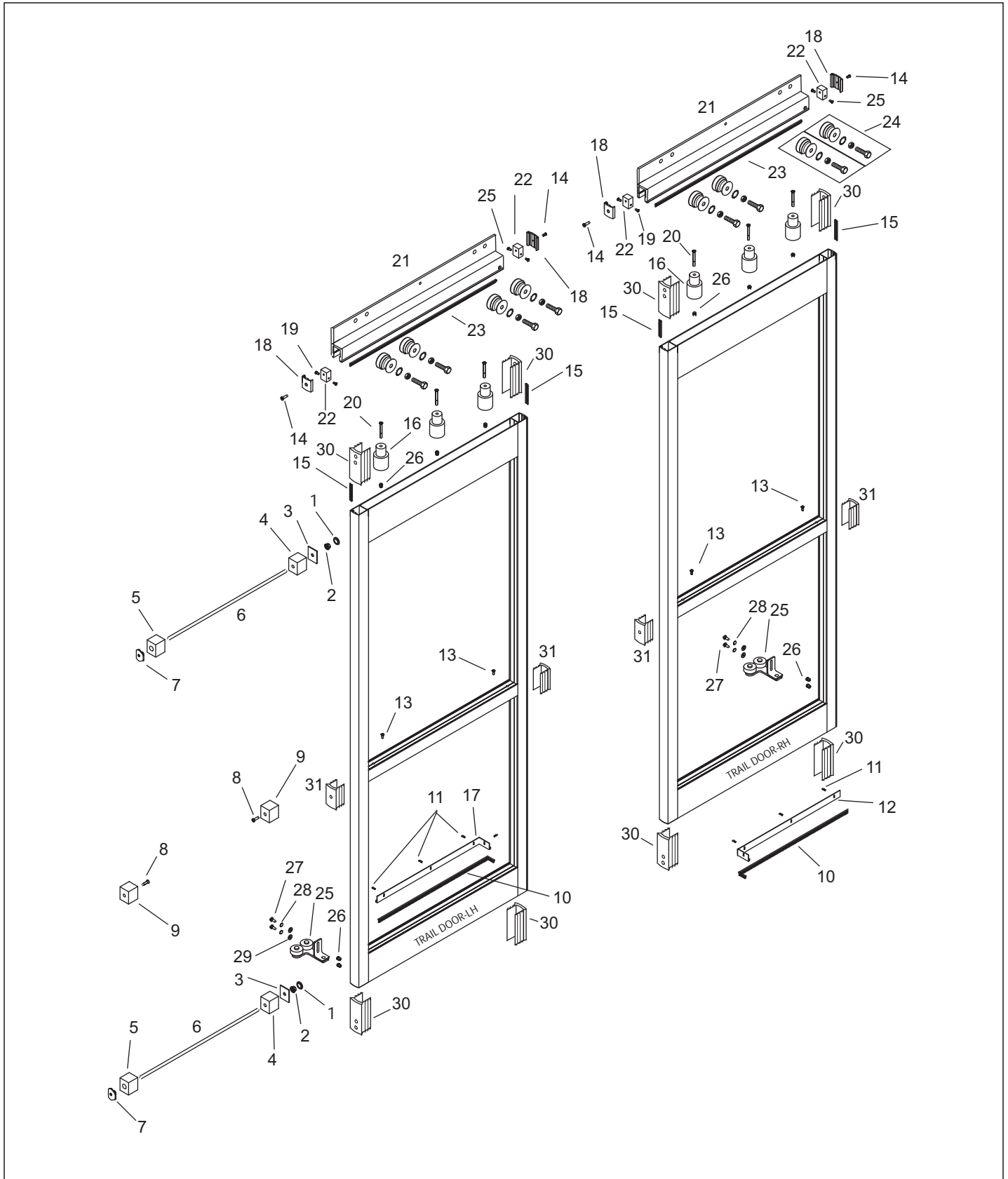
# 1175 Telescopic Fixed Sidelight Lead Door Panels



Item	Part	Select Finish	Description
1	24-0021-21		NUT, WHIZLOCK, 3/8-16, ZINC
2	14-9225		BACKING PLATE, TIE ROD - DOOR ASSEMBLY
3	24-9504		CLIP, MUNTIN BAR - RAIL .386 HOLE
4	14-3624		THREADED ROD, 3/8"-16 - ZINC PLATED
5	24-4941-02		SCREW, PH FL HD 1/4-20 X 1" TRILOBE FORM
6	24-9502		CLIP, MUNTIN BAR - RAIL .261 HOLE
7	24-0013-04		SCREW - PHLLPS TRUSS HD MACH #6-32 X 1/2
8	24-9125-0X	*	Weathering Ext, Swing Panel 40.44 - 204
9	14-4899-90		BRUSH, WTHRING-.007, BRISTENYLON A68, B
10	24-0014-02		HHCS,1/4-20 X 3/4
11	24-0019-05		WASHER,EXT.1/4
12	21-9046-20		BOTTOM GUIDE DBL RLR ASSY - LH-UL PART
	21-9046-10		BOTTOM GUIDE DBL RLR ASSY - RH-UL PART
	21-13522-10		BTM GUIDE DBL RLR ASSY 10" RAIL-RH
	21-13522-20		BTM GUIDE DBL RLR ASSY 10" RAIL-LH
13	24-0017-04		WASHER, 1/4 ID X 9/16 OD X .049 THK, STL
14	14-8640-04		RIVNUT, 1/4-20 AVK #AKS4-420-260
15	22-4412		HEADER LOCK ROD ASSY LESS SCREW PACK
16	14-4899-20		BRUSH, WTHRING-.006, BRISTENYLON A68, B
17	24-0031-23		SCREW, PHPS FLAT #10 X 3/4" TYPE A ZINC
18	24-0565-11		LOCK, COVER W/LATCH CUTOUT 204
	24-0565-12		LOCK, COVER W/LATCH CUTOUT 313
19	12-8366		LOCK AND LOCK ROD ASSY
20	14-10488		LOCK, COVER MOUNTING BLOCK
21	24-0011-72		SCREW, PHLLPS HD MACH 10-24 X 3/8"UND
	24-0011-121		SCREW, PHLLPS HD MACH 10-24X3/8 UND BL OX
22	14-2279-05		PILE WEATHERING, BLK - ADHESIVE BACKED
23	22-4495-0X	*	KEYED ALIKE LOCK CYLINDERS SILVER
24	24-0010-16		SCREW - SOCKET HEAD CAP 1/4-20 X 1 1/4
25	22-0090-0X	*	CYLINDER, THUMB TURN SILVER
26	21-3468		PANIC CATCH RELEASE ASSY-UL PART
27	24-9483		MTG BLK, PANIC CATCH - MACH-UL PART
28	24-0016-30		SETSCREW, 5/16"-18 X 1.25 LG, CUP POINT
29	14-9083		GUIDE LOCK - PREVENTER, RATTLE
30	24-12002-10		CARRIER PVT ASSY NARROW STILE-UL PART
	24-12002-30		PIVOT ASY - NRW STILE-PANEL < 22.75-UL P
	24-12002-20		CARRIER PVT ASSY MED STILE-UL PARRT
	24-12002-40		PIVOT ASY - MED STILE- PNL < 22.75"UL PR
31	24-0031-23		SCREW, PHPS FLAT #10 X 3/4" TYPE A ZINC
	24-0031-22		SCREW, PHPS FLAT #10 X 3/4" TYPE A BL Z
32	12-10574-0X	*	CARRIER END CAP FSL TELE LEAD DOOR 204
	12-8463-0X	*	CARRIER END CAP ASSY
33	12-10027		ROLLER & HUB SUBASSY,TELESCOPING LEAD
34	14-10561-0X	*	END CAP, PIVOT - TRAIL DOOR MILLED 204
35	24-0011-131		#10-32 X 1/2 PHIL HEAD TYPE 23 U.C. ZINC
	24-0011-130		#10-32X1/2 PH HD TYPE 23 U.C. BLA. ZINC
36	21-8396		LIMIT ARM ASSY, STD STILES-1100 1175 WS
	24-10068		LIMIT ARM,TELESCOPING
	21-8419		LIMIT ARM ASSY, MED STILES
	24-12056		LIMIT ARM NARROW PANEL - MEDIUM STILE
37	22-3590-04		SCREW - SOCKET FL HD W-VIBR 7/16-14 X 1
38	24-0014-12		HHCS,1/4-20 X 1 3/4"
39	14-5529		CLIP-FOR RAIL 10IN .391 X 3 HOLES 7.90LG
40	14-13162		CLIP 6-38 MUNTIN .391 HOLE
41	24-4941-14		SCREW, PH FL HD #8-32 X 5/8" TYPE F
	24-4941-20		SCREW, PH FL HD #8-32X5/8" TYPE F BL ZN

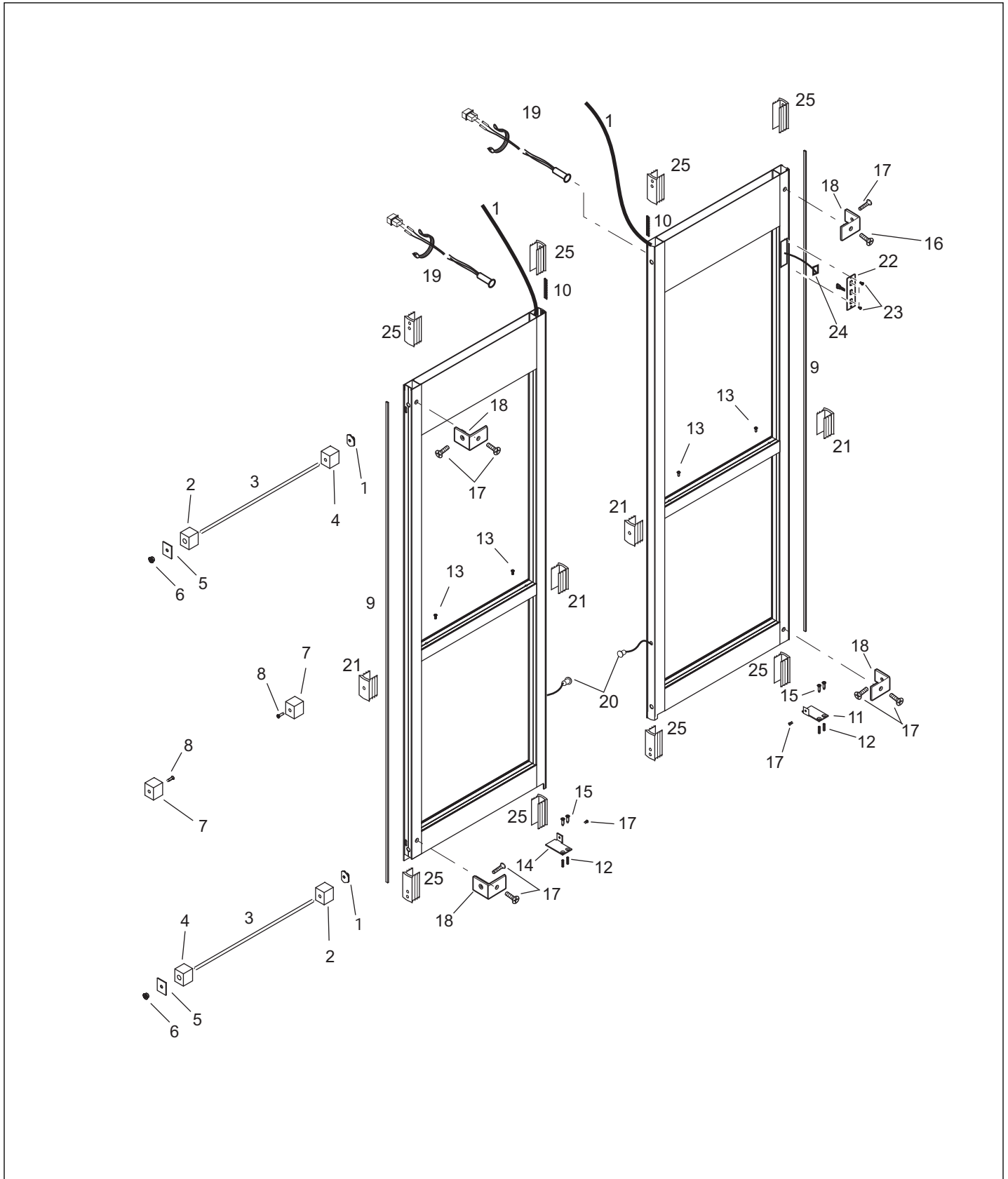


# 1175 Telescopic Fixed Sidelight Trail Door Panels

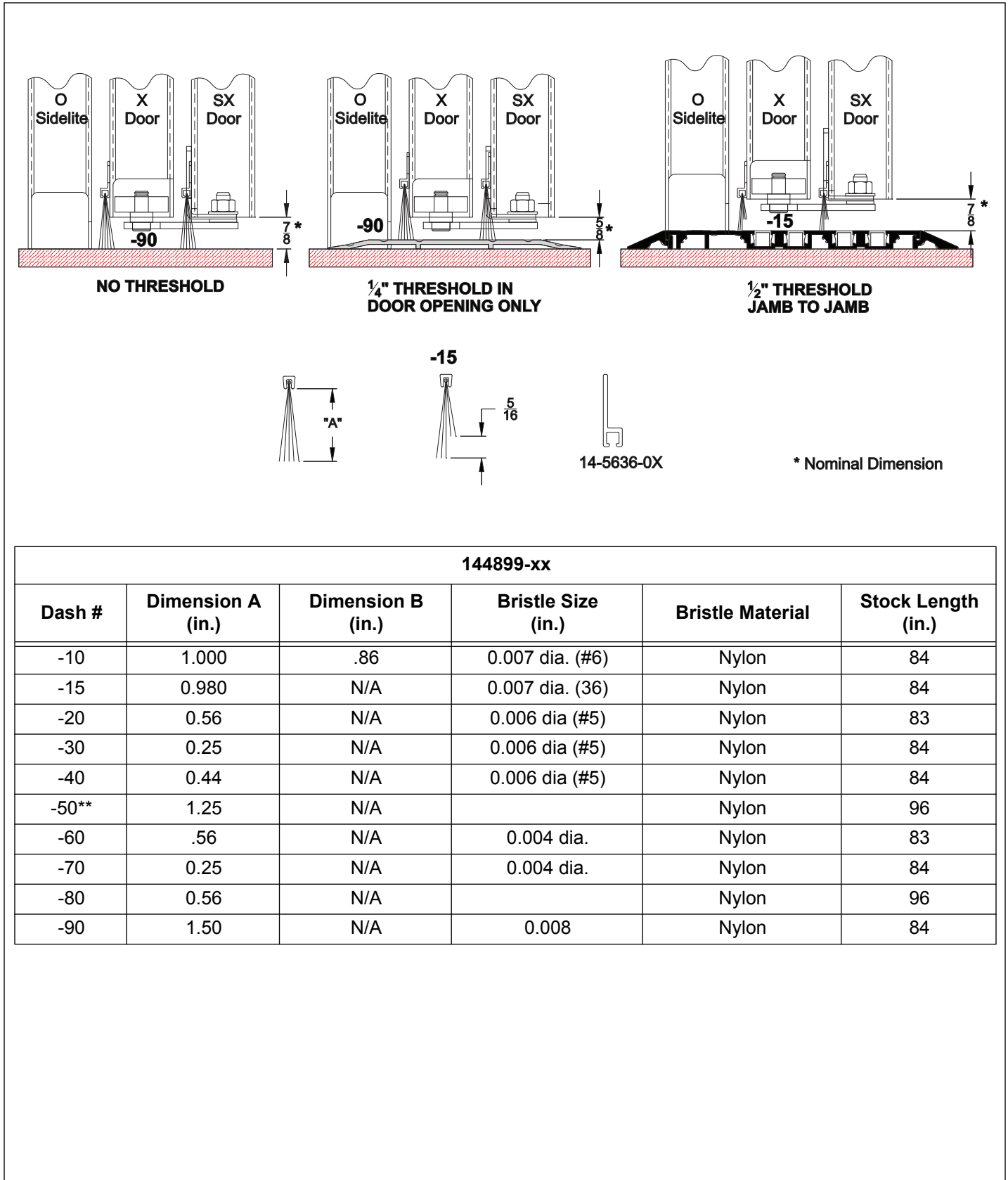




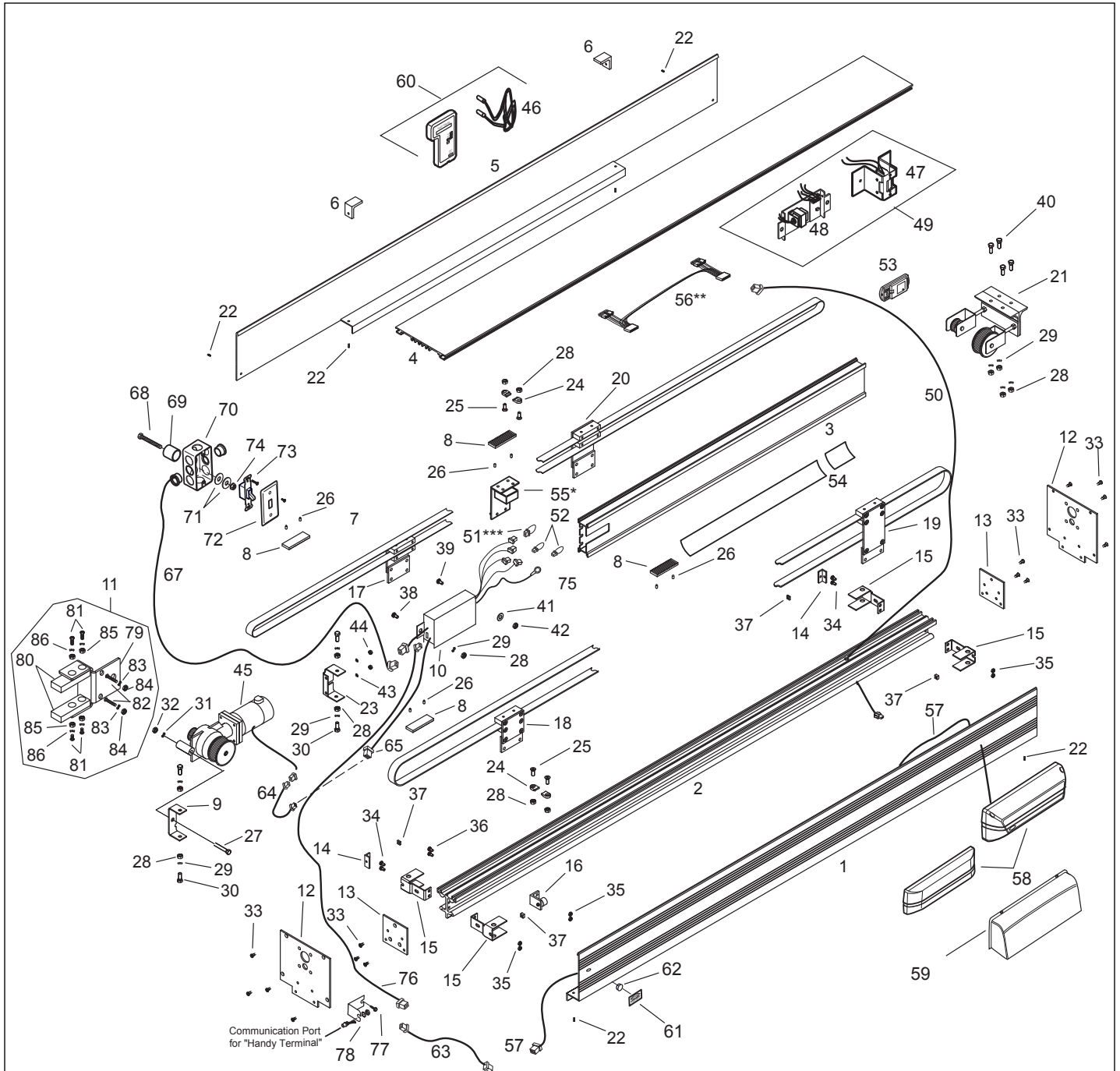
Item	Part	Select Finish	Description
1	14-9511-04		PLUG, DOME
2	24-0021-21		NUT, WHIZLOCK, 3/8-16, ZINC
3	14-9225		BACKING PLATE, TIE ROD - DOOR ASSEMBLY
4	24-9504		CLIP, MUNTIN BAR - RAIL .386 HOLE
5	24-9503		CLIP, MUNTIN BAR - RAIL .500 HOLE
6	14-3624		THREADED ROD, 3/8"-16 - ZINC PLATED
7	14-9279		OFFSET TEE NUT, 3/8"-16
8	24-4941-02		SCREW, PH FL HD 1/4-20 X 1" TRILOBE FORM
9	24-9502		CLIP, MUNTIN BAR - RAIL .261 HOLE
10	14-4899-90		BRUSH, WTHRING-.007, BRISTENYLON A68, B
11	24-0013-03		SCREW - PHLLPS TRUSS HD MACH #6-32 X 1/2
	24-0013-04		SCREW - PHLLPS TRUSS HD MACH #6-32 X 1/2
12	14-10659-0X	★	WEATHERING HOLDER TEL. FS SLAVE DOOR LH
13	24-0031-23		SCREW, PHPS FLAT #10 X 3/4" TYPE A ZINC
14	24-0011-130	★	#10-32X1/2 PH HD TYPE 23 U.C. BLA. ZINC
	24-0011-131	★	#10-32 X 1/2 PHIL HEAD TYPE 23 U.C. ZINC
15	14-4899-20		BRUSH, WTHRING-.006, BRISTENYLON A68, B
16	14-5940		ADAPTER BLOCK, NO PANIC DOOR - SLIDER
17	14-10660-0X	★	WEATHERING HOLDER TEL. FS SLAVE DOOR LH
18	14-10243-0X	★	END CAP,BOTH ENDS-TRAIL DOOR,204
19	24-0011-105		SCREW - PH HD MACH 10-32X1/2 UND CUT ZP
20	24-0011-115		SCREW - PHILLIPS HD MACH 1/4-20 X 5
21	14-10499-0X	★	CARRIER, NH TRAIL DOOR FS 204
22	14-10245		MOUNT BLOCK,END CAP-TRAIL DOOR
23	24-9094-0X	★	INTERFACE LEG, CUT LENGTH 3.06' - 204
24	12-10027		ROLLER & HUB SUBASSY ,TELESCOPING LEAD
25	21-9046-10		BOTTOM GUIDE DBL RLR ASSY - RH-UL PART
	21-9046-20		BOTTOM GUIDE DBL RLR ASSY - LH-UL PART
26	14-8640-01		RIVNUT, 1/4"-20 AVK #AKS4-420-165
27	24-0014-02		HHCS,1/4-20 X 3/4
28	24-0019-05		WASHER,EXT.1/4
29	24-0017-04		WASHER, 1/4 ID X 9/16 OD X .049 THK, STL
30	14-5529		CLIP-FOR RAIL 10IN .391 X 3 HOLES 7.90LG
31	14-13162		CLIP 6-38 MUNTIN .391 HOLE



Item	Part	Select Finish	Description
1	14-9279		OFFSET TEE NUT, 3/8"-16
2	24-9504		CLIP, MUNTIN BAR - RAIL .386 HOLE
3	14-3624		THREADED ROD, 3/8"-16 - ZINC PLATED
4	24-9503		CLIP, MUNTIN BAR - RAIL .500 HOLE
5	14-9225		BACKING PLATE, TIE ROD - DOOR ASSEMBLY
6	24-0021-21		NUT, WHIZLOCK, 3/8-16, ZINC
7	24-9502		CLIP, MUNTIN BAR - RAIL .261 HOLE
8	24-4941-02		SCREW, PH FL HD 1/4-20 X 1" TRILOBE FORM
9	14-8161-01		TAPE, FOAM - GRAY
10	14-4899-60		BRUSH, WTHRING-.004, BRISTENYLON A.56, B
11	24-8038		FLOOR BRACKET, RH - FIXED SIDELITE
12	14-1018		ANCHOR - PLASTIC #14 X 1 BLUE-UL PART
13	24-0094-01		SCREW, PHLLPS PAN HD MACH #10 X 1/2" A
14	24-8037		FLOOR BRACKET, LH - FIXED SIDELITE
15	24-0031-04		FHMS, 14 X 1 1/2" SLOT, TYPE A-UL PART
16	24-0011-73		SCREW, PH HD MACH 1/4-20 X 7/16 UND BLK
	24-0011-70		SCREW, PH HD MACH 1/4-20 X 7/16 UND ZP
17	24-0010-05		SCREW - SOCKET HEAD CAP 1/4-20 X 1/2
18	14-11420		BRACKET, MOUNTING
19	14-12158		BREAK OUT SWITCH WIDE GAP - F/S
20	14-9710-04		(1-SET) OPTEX BEAM WITH EXTENSION CABLE
21	14-13162		CLIP 6-38 MUNTIN .391 HOLE
22	21-9820		KEY SWITCH DUAL U04 OR HIGHER
	21-9821-01		ROCKER SWITCH ASSY U04 - U19 (SLIDER)
23	24-0011-104		SCREW - PH HD MACH #10-32X1/2 UND CUT BO
24	22-9186-01		ROCKER SWITCH EXT CABLE 120IN
	22-9186-02		ROCKER SWITCH EXT CABLE 72IN
25	14-5529		CLIP-FOR RAIL 10IN .391 X 3 HOLES 7.90LG



144899-xx					
Dash #	Dimension A (in.)	Dimension B (in.)	Bristle Size (in.)	Bristle Material	Stock Length (in.)
-10	1.000	.86	0.007 dia. (#6)	Nylon	84
-15	0.980	N/A	0.007 dia. (#36)	Nylon	84
-20	0.56	N/A	0.006 dia (#5)	Nylon	83
-30	0.25	N/A	0.006 dia (#5)	Nylon	84
-40	0.44	N/A	0.006 dia (#5)	Nylon	84
-50**	1.25	N/A		Nylon	96
-60	.56	N/A	0.004 dia.	Nylon	83
-70	0.25	N/A	0.004 dia.	Nylon	84
-80	0.56	N/A		Nylon	96
-90	1.50	N/A	0.008	Nylon	84



- \* Used with item 27.
- \*\*Used only on units with double controls and operators.
- \*\*\*Jumper plug inserted in main harness if rocker switches are not used.

Item	Part	Select Finish	Description
1	24-9011-0X	*	EXTRUSION, 1175 HEADER COVER
2	24-10053-0X	*	ROLLER TRACK,MACHINED-TELESCOPING,204
3	24-10052-0X	*	BOX BEAM,MACHINED-TELESCOPING,204
4	24-10046-0X	*	EXTRUSION,ALUM-HEADER TOP, TELE-204
5	24-10515-0X	*	COVER, BIPART FIXED SIDELITE TELESCOPIC
	24-10500-0X		COVER - LH FIXED SIDELIGHT 204
	24-10502-0X		COVER - RH FIXED SIDELIGHT 204
6	14-10516		BRACKET COVER MOUNT FIXED SIDELITE
7	14-10169		TIMING BELT,5MM- CONT. LENGTH URETHANE
8	14-10038		BELT LOCK,BELT CLIP-TELESCOPING
9	24-10021		MOUNT,FRONT-OPERATOR,TELESCOPING
10	24-8901-19		OBSOLETE CONTROLLER MICROPROCESSOR - U19
11	21-12725		SMALL DRIVE PULLEY SHROUD ASSEMBLY
12	24-10019-0X	*	END CAP,HEADER-TELESCOPING,204
13	24-10020		END PLATE,TELESCOPING
14	14-10543		COVER ATTACHMENT BRACKET TELESCOPIC
15	24-10023		BRACKET,END CAP-TELESCOPING W/PLATING
16	14-9079-02		DOOR STOP ASSEMBLY TELESCOPIC
17	22-10032		BELT CLIP ASSY, TDL-TELESCOPING
18	22-10031		BELT CLIP ASSY, LDL-TELESCOPING
19	22-10029		BELT CLIP ASSY, LDU-TELESCOPING
20	22-10030		BELT CLIP ASSY, TDU-TELESCOPING
21	21-10129		IDLER ASSY,TELESCOPING
22	24-4941-14		SCREW, PH FL HD #8-32 X 5/8" TYPE F
23	24-10022		MOUNT,REAR-OPERATOR,TELESCOPING
24	24-2303		STOP RING HOLD DOWN
25	24-0011-23		SCREW, 5/16"-18 X 3/4, HSFHCS, CLR ZINC
26	24-0016-04		SCREW, SET 1/4-20 X 1/2, KNURL POINT
27	24-0014-28		HHCS,3/8-16 X 2 3/4"
28	24-0021-07		HEXNUT 5/16"-18
29	24-0019-04		WASHER,EXT.5/16
30	24-0014-31		SQHCS,5/16-18 X 3/4"
31	24-0019-03		WASHER,EXT.3/8
32	24-0021-01		HEXNUT 3/8"-16
33	24-4941-02		SCREW, PH FL HD 1/4-20 X 1" TRILOBE FORM
	24-4941-04		SCREW, PH FL HD 1/4-20 X 1" F/B BL ZINC
34	24-0014-01		HHCS,1/4-20 X 1,CLEAR ZINC
35	24-0021-19		HEXNUT ELASTIC STOP 1/4"-20
36	24-0014-01		HHCS,1/4-20 X 1,CLEAR ZINC
37	24-0021-27		SQUARE NUT 1/4"-20
38	24-0014-21		HHCS,5/16-18 X 1
39	24-0014-27		HHCS,3/8-16 X 3/4
40	24-0014-31		SQHCS,5/16-18 X 3/4"
41	24-0017-37		WASHER, .405 ID,13/16 OD,.062 THK-UL PRT
42	24-0021-29		NUT,HEX,NYLOCK 3/8-24-UL PART
43	24-0019-06		WASHER,EXT.#10

Item	Part	Select Finish	Description
44	24-0021-22		HEX NUT #10-32
45	21-10097		OPERATOR ASSY, W MOTOR-TELESCOPING
	21-10098		OPERATOR ASSY, WO MOTOR-TELESCOPING
	21-9206		MOTOR, SHORT FRAME WITH ENCODER
46	14-8903-99		CABLE, HANDY TERMINAL
47	22-10522-01		FAIL SECURE ELECTRIC STRIKE SUB-ASSY
	22-10522-02		FAIL SAFE ELECTRIC STRIKE SUB-ASSY
48	22-10520-01		TRANSFORMER & RELAY ASSY FAIL SECURE
	22-10520-02		TRANSFORMER & RELAY ASSY FAIL SAFE
49	21-10471-01		OBSOLETE - ELECTRIC LOCK FAIL SECURE
	21-10471-02		OBSOLETE - ELECTRIC LOCK FAIL SAFE
	21-9922		ULTRA ELEC LOCK ASSY, FAIL SAFE
	21-9923		ULTRA ELEC LOCK ASSY, FAIL SECURE
	14-10905-10		INSTALLATION KIT - MAG LOCK - 1175 SGL
	14-10905-20		INSTALLATION KIT - MAG LOCK - 1175 BI
50	22-9220-01		BREAK OUT SWITCH HARNESS EXTENSION 90IN
	22-9220-02		BREAK OUT SWITCH HARNESS EXTENSION 35IN
51	11-9826		JUMPER PLUG MICROPROCESSOR
52	12-10324		BREAKOUT JUMPER
53	14-9710-03		OPTEX CONTROL BOX ONLY OS-12C
	14-9710-02		(1-SET) OPTEX BEAM ONLY (use 14-9710-04)
	14-9710-01		(1-SET) OPTEX BEAM & CNTRL
54	14-9115-01		PLASTIC SHEET, .03 X 2.750 X 48
	14-9115-02		PLASTIC SHEET, .03 X 2.875 X 48
55	22-11769		TELE BELT BRKT SUBASSY LEAD DOOR
56	21-5901		HARNESS, EXTRA HEAVY SLIDER, MICROPRESOR
57	22-9184-01		ACUSENSOR HARNESS KIT
58	14-8902-B		ACUSENSOR 1B ASSY (With Wire Hames)
	14-10364-20		ACUMOTION W/MANUAL
59	14-10278		COVER, RAIN - ACUSENSOR
60	14-8903		HANDY TERMINAL ASSY
61	14-9199		NAMEPLATE, ADHESIVE BACKED
62	14-9911		PLUG, HOLE, 3/4" DIA. HANDI TERMINAL
63	22-9267-01		ACUSENSOR EXT HARNESS 48IN
	22-9267-02		ACUSENSOR EXT HARNESS 24IN
64	11-9208		HARNESS, HANDING MICROPROCESSOR
65	21-9808		MOTOR HARNESS, MICROPROCESSOR
66	24-4941-14		SCREW, PH FL HD #8-32 X 5/8" TYPE F
67	11-10110		POWER HARNESS, MICROPROCESSOR
68	24-0014-28		HHCS, 3/8-16 X 2 3/4"
69	14-9898		SPACER, BAR - ELEC 1175
70	11-9253-01		JUNCTION BOX & BUSHING ASSY, SLIDER
71	24-0017-02		WASHER, 7/16 ID X 1 OD X .083 THK
72	14-9134		COVER, UTILITY BOX
73	14-9120		DO NOT ORDER SWITCH, TOGGLE POWER
74	24-0021-21		NUT, WHIZLOCK, 3/8-16, ZINC
75	21-9437		WIRING ASSY, MICROPROCESSOR

<b>Item</b>	<b>Part</b>	<b>Select Finish</b>	<b>Description</b>
76	14-8903-98		CABLE, HANDY TERMINAL to MC (U19)
77	24-0014-02		HHCS, 1/4-20 X 3/4
78	14-9038		BRACKET, CONNECTOR - HANDY TERMINAL
79	14-12726		SMALL DRIVE PULLEY SHROUD BRKT.
80	14-12724		BELT GUIDE, SMALL PULLEY SHROUD
81	24-0015-06		RHMS, #10-24 X 1/2" PHIL
82	24-4941-21		SCREW, PH PAN HD 1/4-20 X 1 1/2" TYPE F
83	24-0019-05		WASHER, EXT. 1/4
84	24-0021-14		HEX NUT 1/4"-20
85	24-0021-04		HEX NUT #10-24
86	24-0019-06		WASHER, EXT. #10