



## GT1175 (H105 Medium) Hurricane Quick Set-Up and Parts Guide

P/N C-00106 Rev 8-10-16

Nabco Entrances Inc. S82 W18717 Gemini Drive Muskego Wisconsin 53150  
Phone: (877) 622-2694 Fax: (888) 679-3319 www.nabcoentrances.com

*Associated Manuals Part Numbers:* GT 1175 (H105 Medium) Hurricane Slide Door System (P/N 15-14764)  
GT 1175 Electrical Installation Manual \*\*with U30 Microprocessor Controller (P/N C-00121)  
U30 Microprocessor Control Setup and Programming Manual (P/N C-00130)  
Automatic Sliding Door Owners Manual (P/N C-00109) for Decal Installation  
NABCO Price Book" for Sensors, Switches, and Accessories (P/N 16-9244-30)

### **WARNING**

- Turn OFF all power to the Automatic Door if a Safety System is not working.
- Instruct the Owner to keep all power turned OFF until corrective action can be achieved by a NABCO trained technician. Failure to follow these practices may result in serious consequences.
- NEVER leave a Door operating without all Safety detection systems operational.

### **Table of Contents**

SECTION 1: INSTALL THE FRAME . . . . .	3
SECTION 2: ANCHOR FRAME TO BUILDING . . . . .	3
SECTION 3: INSTALL THE THRESHOLD . . . . .	8
SECTION 4: INSTALL THE FIXED SIDELITE . . . . .	10
SECTION 5: INSTALL THE SWING SIDELITE . . . . .	12
SECTION 6: INSTALL THE SLIDE DOOR . . . . .	14
SECTION 7: WIRE THE SWITCH ASSEMBLY (ROCKER SWITCH OR KEY SWITCH) . . . . .	20
SECTION 8: 110 VAC GENERAL WIRING . . . . .	20
SECTION 9: GENERAL WIRING . . . . .	22
SECTION 10: INSTALL WEATHERING . . . . .	28
SECTION 11: U30 MICROPROCESSOR SETTINGS . . . . .	29
SERVICE PARTS: HEADER . . . . .	33
SERVICE PARTS: FULL OPEN SIDELITE . . . . .	36
SERVICE PARTS: RIGHT HAND FULL OPEN SIDELITE . . . . .	37
SERVICE PARTS: LEFT HAND FULL OPEN SIDELITE . . . . .	38
SERVICE PARTS: FULL OPEN SLIDE DOOR . . . . .	40
SERVICE PARTS: RIGHT HAND FULL OPEN SLIDE DOOR . . . . .	41
SERVICE PARTS: LEFT HAND FULL OPEN SLIDE DOOR . . . . .	42
SERVICE PARTS: FIXED SIDELITE . . . . .	45

<b>SERVICE PARTS: LEFT HAND FIXED SIDELITE .....</b>	<b>46</b>
<b>SERVICE PARTS: RIGHT HAND FIXED SIDELITE .....</b>	<b>47</b>
<b>SERVICE PARTS: FIXED SIDELITE SLIDE DOOR .....</b>	<b>49</b>
<b>SERVICE PARTS: LEFT HAND FIXED SIDELITE SLIDE DOOR .....</b>	<b>50</b>
<b>SERVICE PARTS: RIGHT HAND FIXED SIDELITE SLIDE DOOR .....</b>	<b>51</b>

**WARNING**

- Turn OFF all power to the Automatic Door if a Safety System is not working.
- Instruct the Owner to keep all power turned OFF until corrective action can be achieved by a NABCO trained technician. Failure to follow these practices may result in serious consequences.
- NEVER leave a Door operating without all Safety detection systems operational.

**SECTION 1: INSTALL THE FRAME**

*Note: Make allowances for tile or other existing materials that may change the floor height.*

1. Before installing the Slide Door system it is recommended to ensure the Rough Opening is the correct size:
  - ▶ The width of the Rough Opening should equal: Package Width + 1/4 inch on each side
  - ▶ The height of the Rough Opening should equal: Package height + 1/4 inch on each side
2. Place Header on a flat surface with the removable cover facing up.
3. Position Jamb Tubes on either side of Header according to the instruction sticker located on each Jamb Tube.
4. Orientate Frame in relation to the Building:
  - ▶ Interior side of Opening: Full Open
  - ▶ Exterior side of Opening: Fixed Sidelite



**Figure 1** Assemble and Orientate Frame

5. Remove Cover from Header. Remove Parts boxes and/or Parts bags from inside Header.
6. Obtain (12) 1/4-20 x 1 inch bolts and (12) 1/4 inch Star Washers that were provided by NABCO. Set aside.
7. Measure to ensure each side of Jamb Tube facing the floor is lifted 1/8 inch from the floor (once secured to Jamb Tube).
8. Secure both sides of Header to Jamb Tubes with 1/4-20 x 1 inch bolts and 1/4 inch Star Washers.
9. Lift to position the assembled Frame into the rough opening.
  - a. Frame may have to be turned around before securing to rough opening.
10. Shim and Plumb Jamb tubes in both planes to ensure the rough opening allows a 1/4 inch clearance. Please see Figure 4-1.
11. Shim and Plumb Header at the top to ensure the rough opening allows a 1/4 inch clearance.



**Figure 2** Shim and Plumb Frame

**SECTION 2: ANCHOR FRAME TO BUILDING**

- ▶ Anchors are not provided by NABCO.
- ▶ Anchors must be appropriate for the type of structure being fastened to.
- ▶ Screw in anchors to secure the Frame (per manufacturer's specifications).
- ▶ Ensure anchor heads do not come in contact with edges of glass to prevent breakage.
- ▶ It is recommended to countersink holes as required to flush the surface.
- ▶ It is recommended to drill tap threads for anchors in a steel or aluminum structure.

**Table 2-1** Suggested types of Anchors

Anchor Type		Minimum Edge Distance
A	1/4 inch Tapcon by ITW with 1-3/4 inch minimum embedment into 3000 PSI Concrete	2-1/2 inch
A1	5/16 inch Tapcon by ITW with 1-3/4 inch minimum embedment into 3000 PSI Concrete	2-3/16 inch
B	1/4 inch Tapcon by ITW with 1-1/4 inch minimum embedment into Hollow Block	2-1/2 inch
C	1/4 inch Tapcon by ITW with 1-1/2 inch minimum embedment into PT WOOD (SG=0.55)	1 inch
C1	5/16 inch Tapcon (Fy=115 Ksi) by ITW with 1-1/2 inch minimum embedment into PT WOOD (SG=0.55)	1-1/4 inch
D	1/4-14 GR 5 Sheet Metal screws into 1/8 inch metal structures	1/2 inch
D1	5/16-18 GR 5 Sheet Metal screws into 1/8 inch metal structures	1 inch
<ul style="list-style-type: none"> <li>▶ Minimum embedment are beyond wall dressing.</li> <li>▶ Tapcons with flat, hex and/or pan heads can be used.</li> <li>▶ Metal structures are ASTM A36 Steel or 6063-T6 Aluminum.</li> <li>▶ Anchor Type D must have a minimum (3) threads embedment.</li> <li>▶ Header &amp; Jamb anchors are installed into a single row.</li> <li>▶ Sill anchors are distributed into (2) in line rows.</li> </ul>		

**Table 2-2** Framing Sill Track Anchorage Capacity in PSF Function of Anchor Type and Number of Pair Clusters

FH inches*	DM inches**	Anchor Type and Number of Pair / Clusters	
		2 Pair Clusters (Type A or C)	3 Pair Clusters (Type A or C)
92	36	105	70
	39	97	65
	42	90	60
	45	84	56
	48	79	53
	54	70	47
96	36	101	67
	39	93	62
	42	87	58
	45	81	54
	48	76	51
	52	70	47
100	36	97	65
	39	90	60
	42	83	55
	45	78	52
	48	73	48
	49	70	47
104	36	93	62
	39	86	57
	42	80	53
	45	75	50
	48	70	47

\* FH = Framing Header

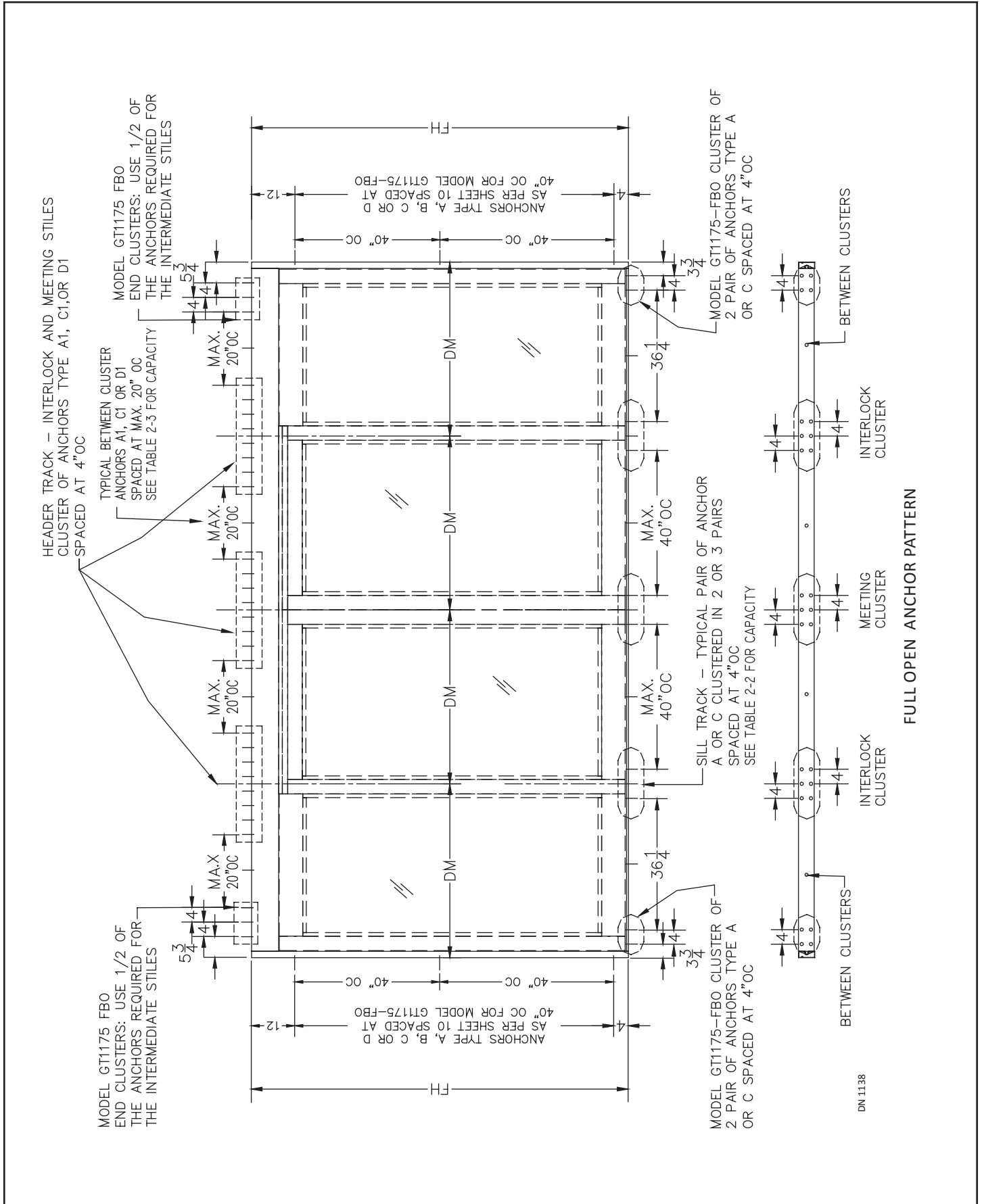
\*\* DM = Dimension

**Table 2-3** Framing Header Track Anchorage Capacity in PSF Function of Anchor Type and Number of Clusters

		Anchor Type and Number of Row / Clusters											
		Clusters (A1 Type)				Clusters (C1 Type)				Clusters (D1 Type)			
FH inches	DM inches	10	8	6	4	10	8	6	4	10	8	6	4
92	36	105	105	79	53	105	97	72	48	105	90	68	45
	39	97	97	73	49	97	89	67	45	97	83	62	42
	42	90	90	68	45	90	83	62	41	90	77	58	39
	45	84	84	63	42	84	77	58	39	84	72	54	36
	48	79	79	59	40	79	72	54	36	79	68	51	34
	54	70	70	53	35	70	64	48	32	70	60	45	30
96	36	101	101	76	51	101	93	69	46	101	87	65	43
	39	93	93	70	47	93	85	64	43	93	80	60	40
	42	87	87	65	43	87	79	59	40	87	74	56	37
	45	81	81	61	41	81	74	56	37	81	69	52	35
	48	76	76	57	38	76	69	52	35	76	65	49	32
	52	70	70	53	35	70	64	48	32	70	60	45	30
100	36	97	97	73	49	97	89	67	44	97	83	62	42
	39	90	90	67	45	90	82	61	41	90	77	57	38
	42	83	83	63	42	83	76	57	38	83	71	53	36
	45	78	78	58	39	78	71	53	36	78	66	50	33
	48	73	73	55	36	73	67	50	33	73	62	47	31
	49	70	70	53	35	70	64	48	32	70	60	45	30
104	36	93	93	70	47	93	85	64	43	93	80	60	40
	39	86	86	65	43	86	79	59	39	86	74	55	37
	42	80	80	60	40	80	73	55	37	80	68	51	34
	45	75	75	56	37	75	68	51	34	75	64	48	32
	48	70	70	53	35	70	64	48	32	70	60	45	30

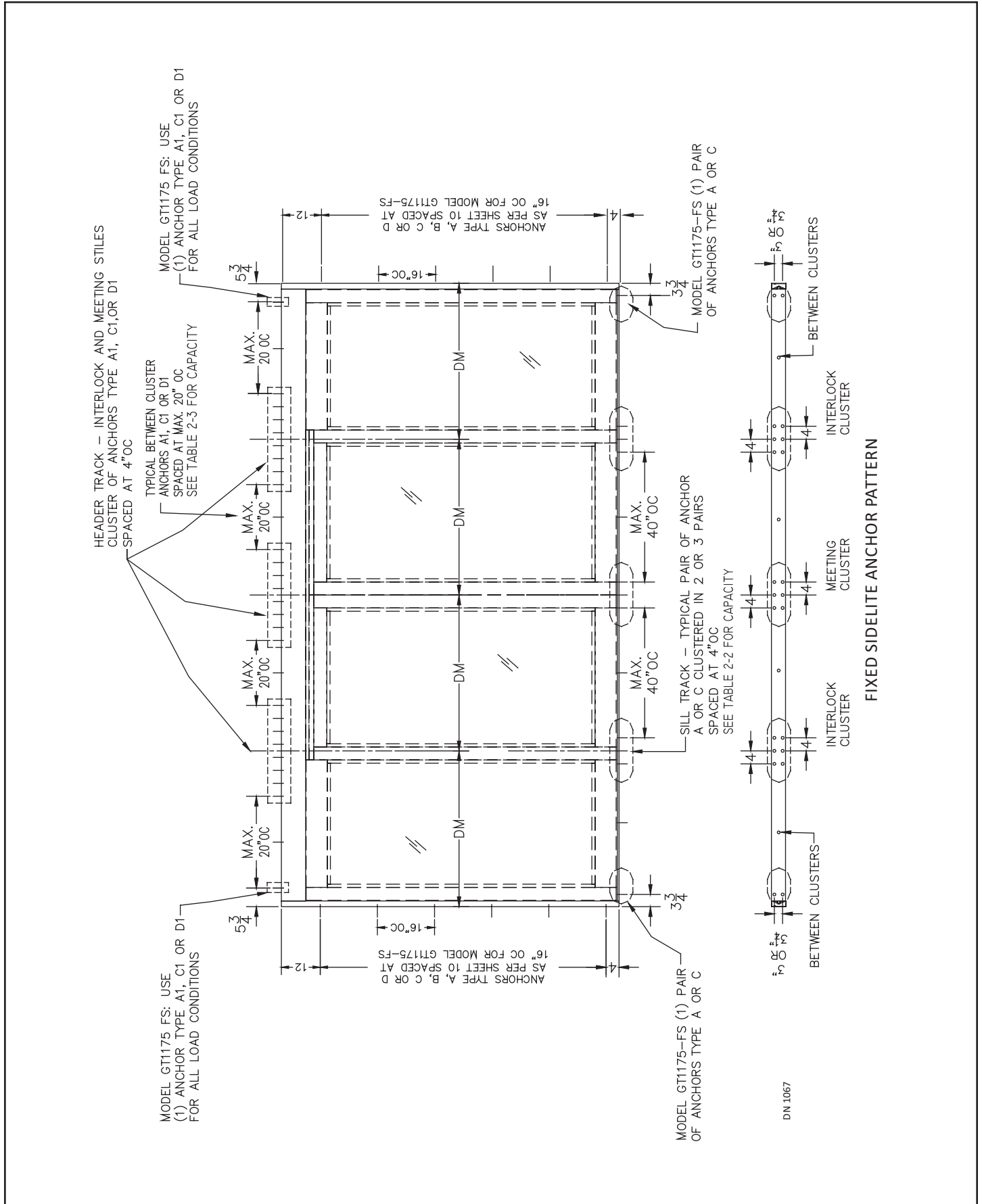
\* FH = Framing Header \*\* DM = Dimension

### 2.1 Anchor Pattern for (H105 Medium) Full Open Hurricane Slide Doors



DN 1138

### 2.2 Anchor Pattern for (H105 Medium) Fixed Sidelite Hurricane Slide Doors



## SECTION 3: INSTALL THE THRESHOLD

### FOR UNITS WITHOUT THRESHOLD SKIP TO SECTION 4

*Note: Floor tracks are factory cut to be the same width as the door opening. Extending the floor track from Jamb to Jamb is optional. To order additional track, please contact customer service at (877) 622-2694.*

Floor Tracks for 1175 Hurricane Slide Door Systems can be installed two different ways:

- ▶ Surface
  - Installed on the surface of the floor with Ramps attached to both sides.
- ▶ Recessed
  - Installed inside a channel that is 1/2 inch deep across the full length of the track.
  - Floor Tracks (not including Ramps) are the same width as the Jamb Tube for both types of Units.

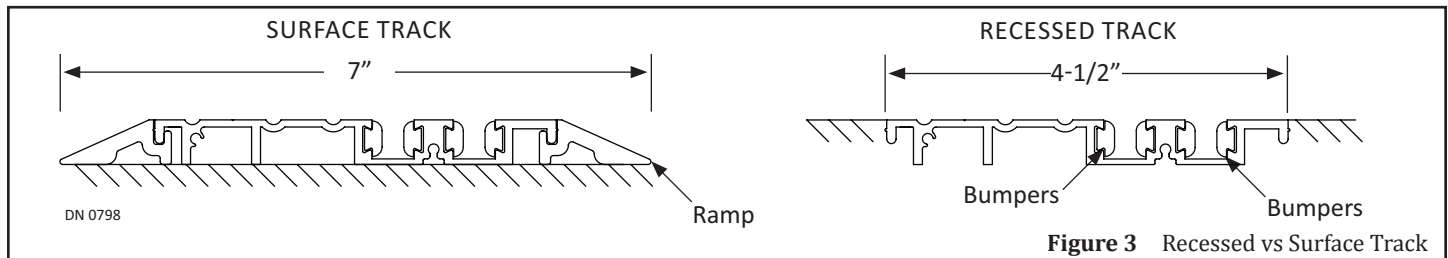


Figure 3 Recessed vs Surface Track

### 3.1 Surface Floor Track (Full Open)

*Note: To avoid misalignment, Do Not permanently secure Floor Tracks until the Slide Door installation is complete.*

The Full Open Hurricane Slide Door system is shipped with (2) different Floor Tracks:

- ▶ With Channels
  - Installed under the Swing Sidelite.
  - Channels keep the Bottom Guide aligned and free from scratches as the Slide door opens/closes.
- ▶ Without Channels
  - Installed under the Slide Door.

1. Obtain both Floor Tracks that were cut to specification at the NABCO Factory.
2. On the Breakout side of opening, snap a chalk line on the floor from Jamb to Jamb.

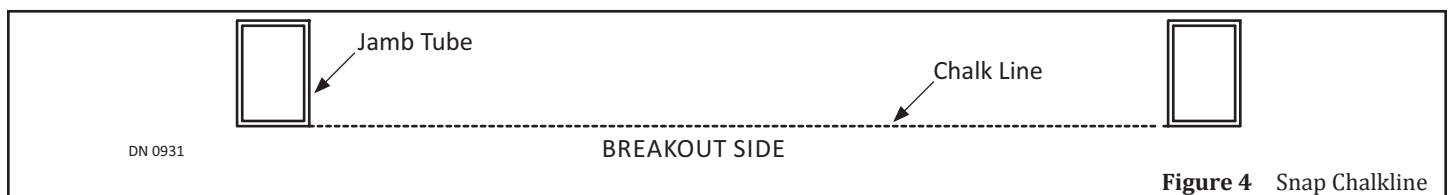


Figure 4 Snap Chalkline

3. Obtain the Floor Track with Channels.
4. Butt the edge of Floor Track (with Channels) against the inside face of the Pivot Jamb tube with (2) predrilled Screw holes facing the Breakout Side of Opening.
5. Align the full length of Floor Track (with Channels) so it is flush with the chalk line.
6. Obtain the Floor Track without Channels that was cut to specifications at the NABCO Factory.
7. Position the Floor Track (without Channels) between the Floor Track (with Channels) and the Strike Jamb Tube.
8. Align the full length of Floor Track (without Channels) so it is flush with the chalk line.

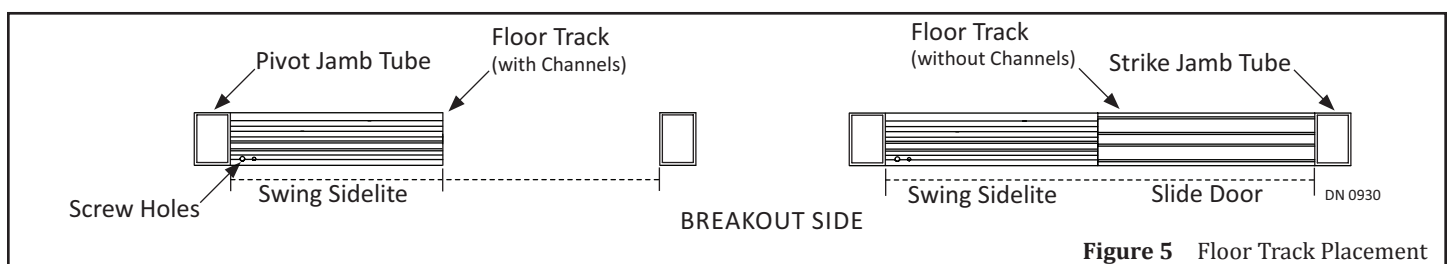
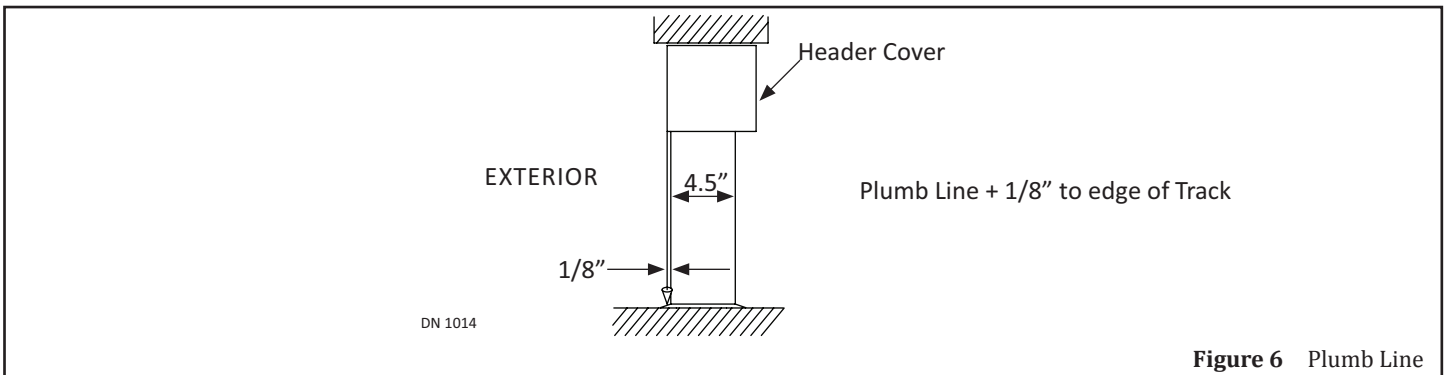


Figure 5 Floor Track Placement



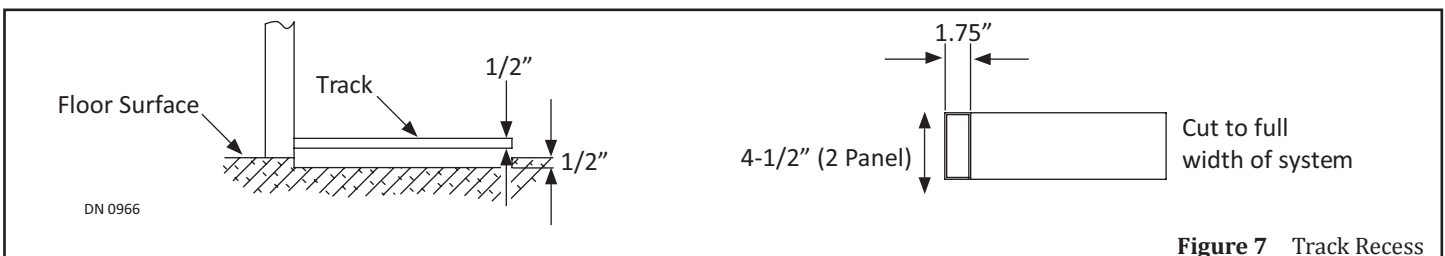
- Plumb the Floor Track by hanging a Plumb Bob from the Header.



**Figure 6** Plumb Line

### 3.2 Recessed Floor Track (Full Open)

- On the Breakout side of building, snap a chalk line on the floor from Jamb to Jamb.
- Create a channel that is 1/2 inch deep, and 4-1/2 inches wide, and the full length between both Jamb Tubes.



**Figure 7** Track Recess

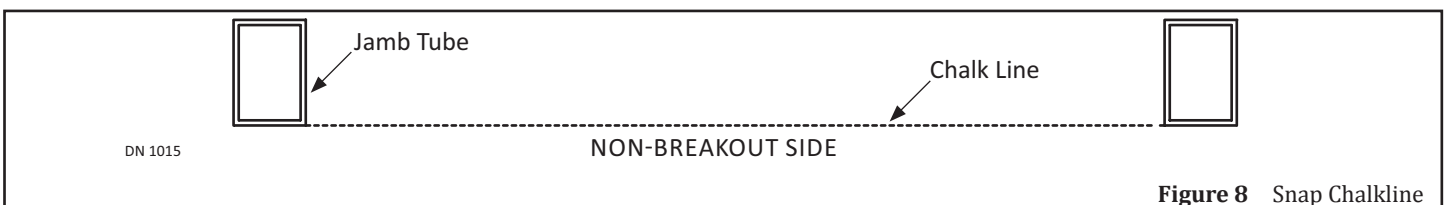
- Obtain and then insert the Floor Track (without Channels) on the side of the Pivot Jamb tube.
- Obtain and then insert the Floor Track (with Channels) on the side of the Strike Jamb Tube.
- Ensure there are no gaps between the Floor Tracks and the Jamb Tubes.

### 3.3 Surface Floor Track (Fixed Sidelite)

**FOR FULL OPEN UNITS SKIP TO SECTION 5**

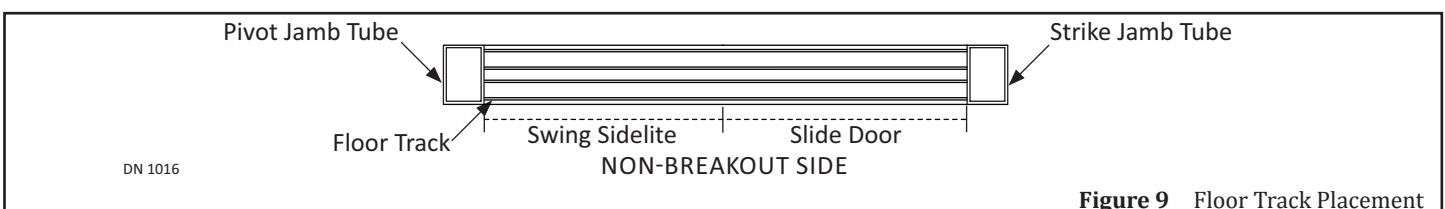
*Note: To avoid misalignment, Do Not permanently secure Floor Tracks until the Slide Door installation is complete.*

- Obtain the Floor Track that was cut to specification at the NABCO Factory.
- On the Non-Breakout side of opening, snap a chalk line on the floor from Jamb to Jamb.



**Figure 8** Snap Chalkline

- Position the Floor Track between the Pivot Jamb tube and the Strike Jamb Tube.
  - (1) Aluminum Bar has been preinstalled underneath the Floor Track located in the middle. This Aluminum Bar is used to reinforce the Fixed Sidelite Bottom Bracket.
- Align the full length of Floor Track so it is flush with the chalk line.



**Figure 9** Floor Track Placement

- Plumb the Floor Track by hanging a Plumb Bob from the Header.

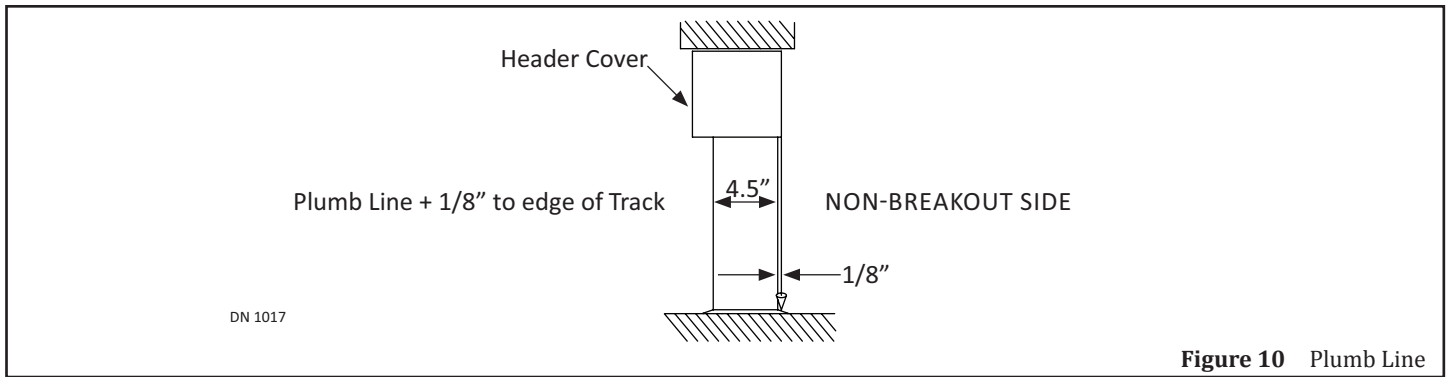


Figure 10 Plumb Line

## SECTION 4: INSTALL THE FIXED SIDELITE



Figure 11 Fixed Sidelite, No Breakout

### 4.1 Secure the Fixed Sidelite to the Pivot Jamb Tube and Header

1. Obtain (1) 1/4-20 x 1/2 inch Flat Head Screws provided by NABCO.
2. Go to the Strike Stile located on the Strike side of the Fixed Sidelite.
3. Locate the Cut Out at the Top.
4. Locate (1) Mounting Bracket that was preinstalled under the Bottom Lip of Header.
5. Lift and then angle the Fixed Sidelite until the Mounting Bracket is seated inside the Cut Out.
  - a. There is room inside the Strike Stile for the Mounting Bracket to move around within.
  - b. Move the Fixed Sidelite forward so the Pivot Stile does not scrape up against the (3) Mounting Brackets that were preinstalled on the Pivot Jamb Tube.

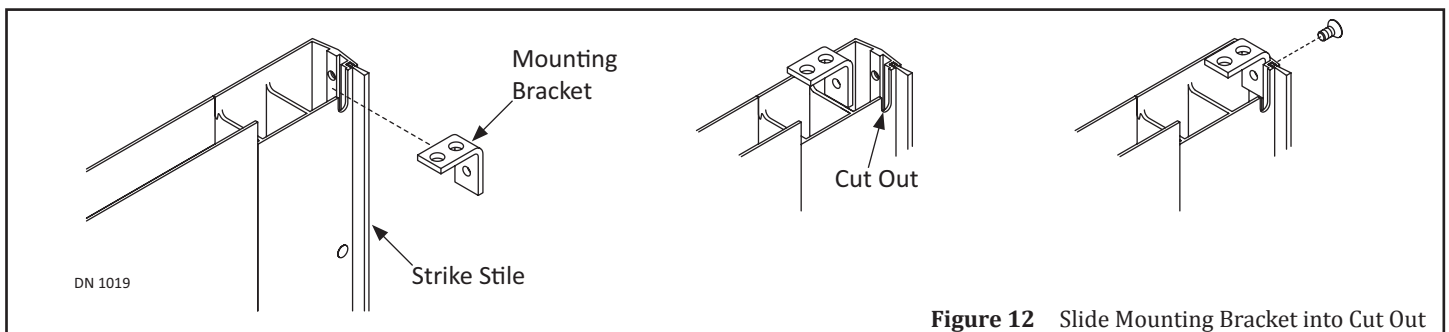
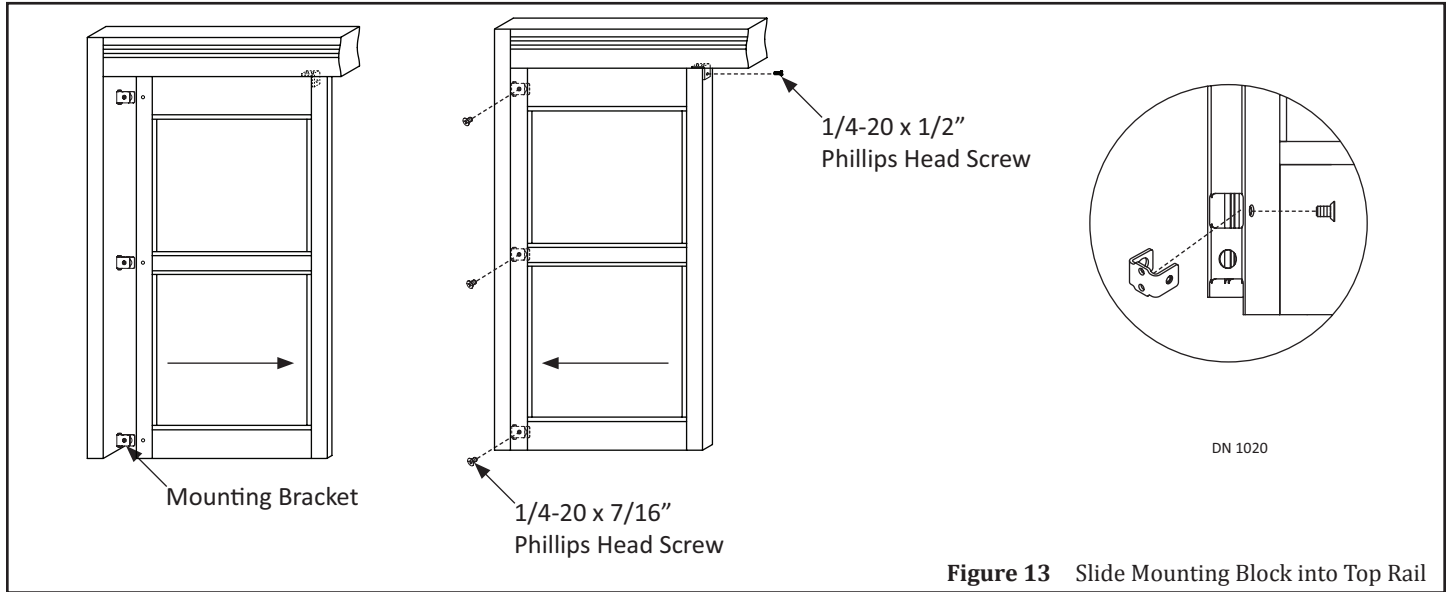


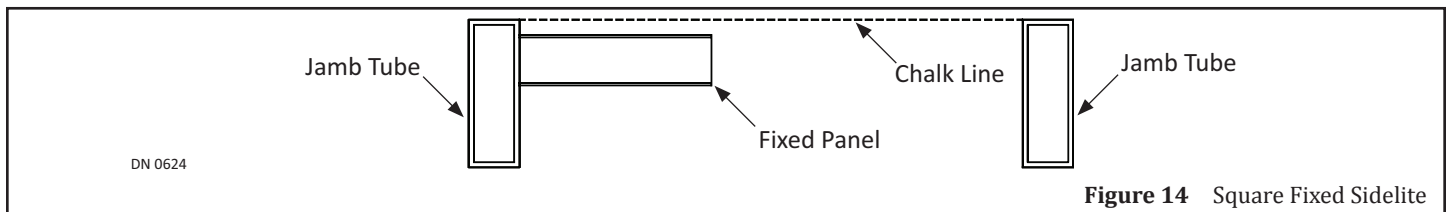
Figure 12 Slide Mounting Bracket into Cut Out

6. Locate (3) Cut Outs on the side of the Pivot Jamb Tube.
7. Align and then slide the Fixed Sidelite until (3) Mounting Brackets are seated inside each Cut Out.
8. Continue to slide the Fixed Sidelite towards the Interior of the Building until both Mounting Brackets butt up against the inside wall of the Pivot Stile.
9. Align all (4) Mounting Bracket screw holes with the Pivot Stile screw holes and the Strike Stile screw hole.
10. Secure (3) Mounting Brackets located on the Pivot Jamb Tube to the Fixed Sidelite with (3) 1/4-20 x 7/16 inch Phillips Head screws.
11. Secure (1) Mounting Bracket located under the Bottom Lip of Header with (1) 1/4-20 x 1/2 inch Flat Head Screw.



**Figure 13** Slide Mounting Block into Top Rail

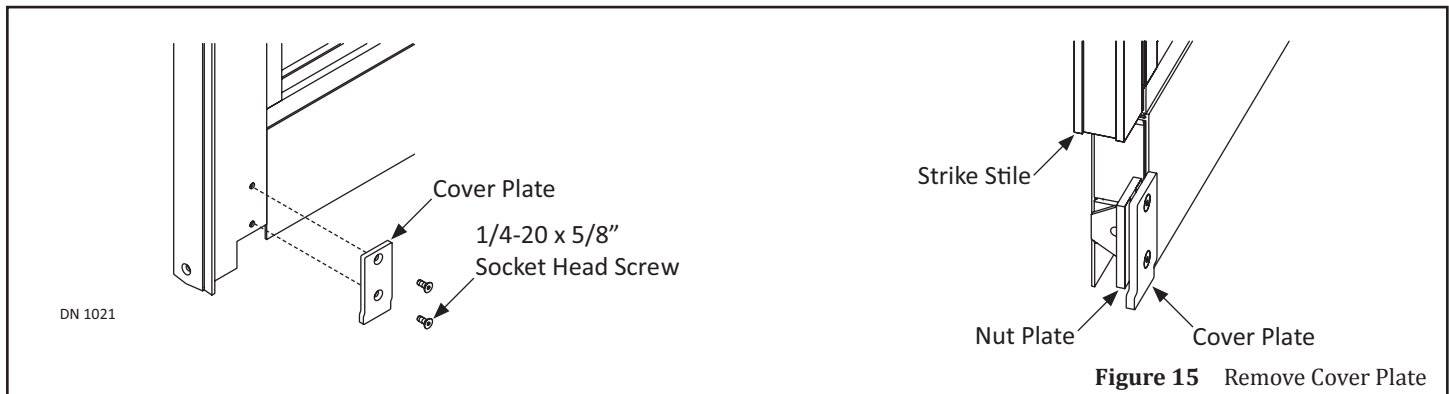
12. Snap a chalk line between Jamb tubes in front of Sidelite Panel.
  - a. If the Fixed Sidelite runs parallel to the chalk line it is square.



**Figure 14** Square Fixed Sidelite

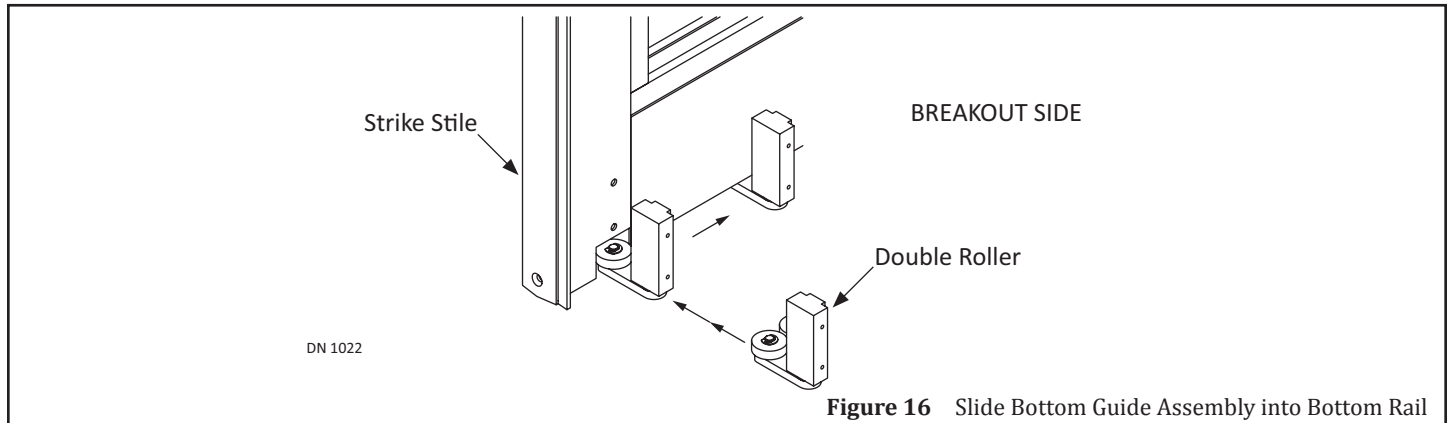
#### 4.2 Install the Double Roller Assembly

1. Go to the bottom of Strike Stile.
2. Remove the Cover Plate and (2) pre-installed 1/4-20 x 5/8 inch Socket Head Screws. Save for reinstallation.
  - a. A Nut Plate is Preinstalled onto the back face of the Strike Plate directly behind where the Cover Plate is located. Do Not remove the Nut Plate.



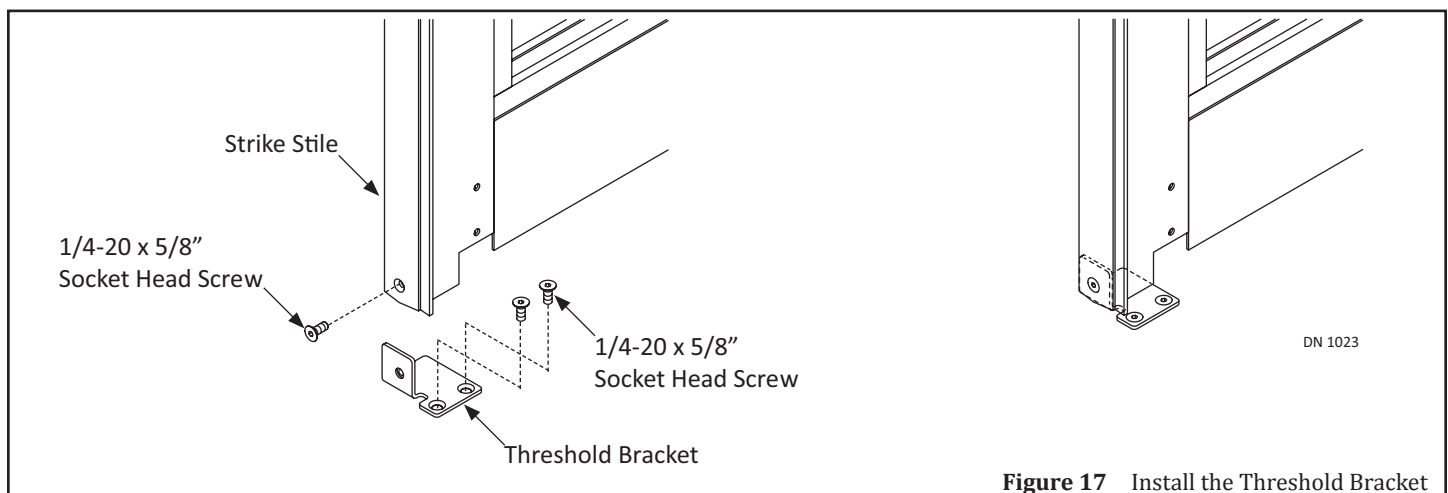
**Figure 15** Remove Cover Plate

3. Obtain the Double Roller Assembly.
  - a. For Bi-Part Slide doors a Left Hand and a Right Hand Double Roller Assembly will be provided. Be sure to select the Double Roller that corresponds to the right side or the left side of door.
4. Install the Double Roller by sliding (2) rollers into the Bottom rail so the bracket sticks out from underneath in direction of where the Slide door is to be installed.
  - a. Push rollers back into Bottom Rail so the Floor Bracket can be installed.
  - b. Do not install Slide Door onto Bottom Guide Assembly at this time.



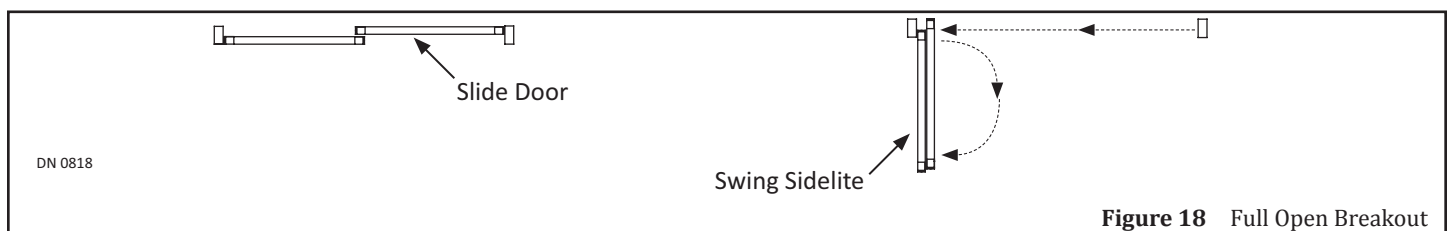
### 4.3 Install the Floor Bracket

1. Insert the Threshold Bracket into the Bottom Rail so the plate portion with (2) screw holes sticks out from underneath in direction of where the Slide door is to be installed.
2. Ensure the Fixed Panel is still parallel to the chalk line so it remains square.
3. Secure the Threshold Bracket to the Strike Stile with (1) 1/4-20 x 5/8 inch Socket Head screw.
4. Secure the Cover Plate back onto the Strike Stile with (2) 1/4-20 x 5/8 inch Socket Head screws.



## SECTION 5: INSTALL THE SWING SIDELITE

*FOR FIXED SIDELITE UNITS SKIP TO SECTION 6*



### 5.1 Install the Bottom Pivot

1. Obtain (1) Floor Pivot, (1) 1/4-20 x 1 inch Phillips Head screw, (1) 1/4 X 2-3/4 inch Flathead Tap Con, and (1) Bushing.
2. Insert the Floor Pivot into the hole located at the bottom of the Pivot Jamb Tube.
  - a. The insertion end of the Floor Pivot is notched at both sides. It will be necessary to tilt the Floor Pivot to interlock the notched sides with the Jamb Tube.

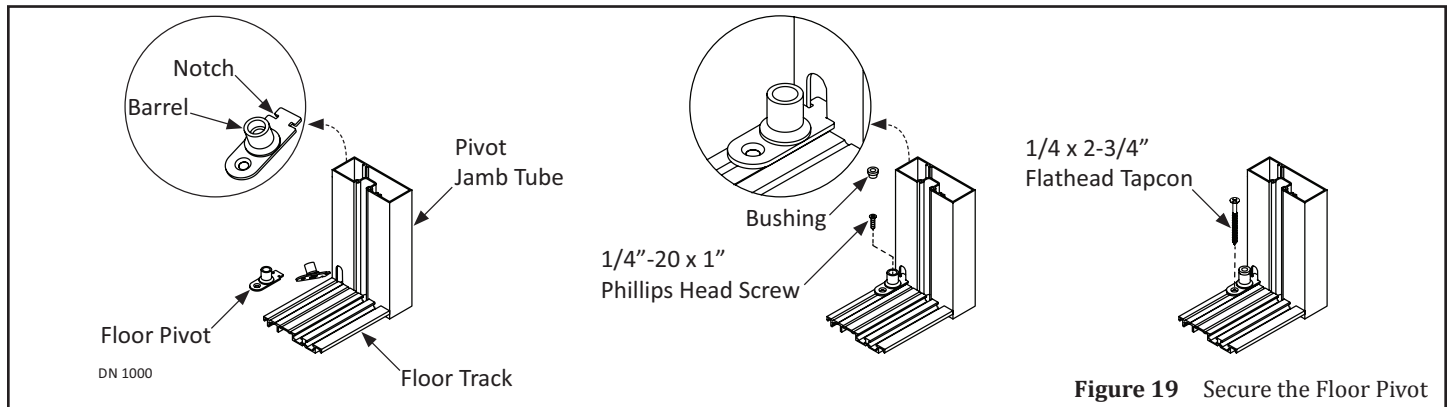


Figure 19 Secure the Floor Pivot

3. Insert (1) 1/4-20 x 1 inch Phillips Head screw into the Barrel of the Floor Pivot.
4. Secure the Floor Pivot to the Floor Track.
5. Cap the Barrel with (1) Bushing.
6. Go to the screw hole located in front of the Barrel.
7. With a 1/4 inch Masonry drill bit, drill through the track at least 2-3/4 inches.
8. Secure the Floor Pivot to the Floor with (1) 1/4 X 2-3/4 inch Flathead Tapcon.

## 5.2 Install the Limit Arm

1. Obtain (1) Limit Arm, (1) Washer, and (1) 1/4-20 x 1 inch Phillips Head screw.
2. Flip the Limit Arm so the Roller Guide is facing down, towards the Top Rail of Swing Sidelite.
3. Insert (1) 1/4-20 x 1 inch Phillips Head screw through the bottom of the Limit Arm (so the pointed end is facing up towards the Header).
4. Slide (1) Washer onto the exposed end of the 1/4-20 x 1 inch Phillips Head screw.
5. Go to the pre-drilled screw hole located at the bottom of Header (approximately 6 inches from the Pivot end).
6. Insert the 1/4-20 x 1 inch Phillips Head screw into the screw hole. Loosely tighten (just enough to keep the assembly from falling out of the screw hole).
  - a. Limit Arm installation is completed after the Swing Sidelite is attached to both Pivots.

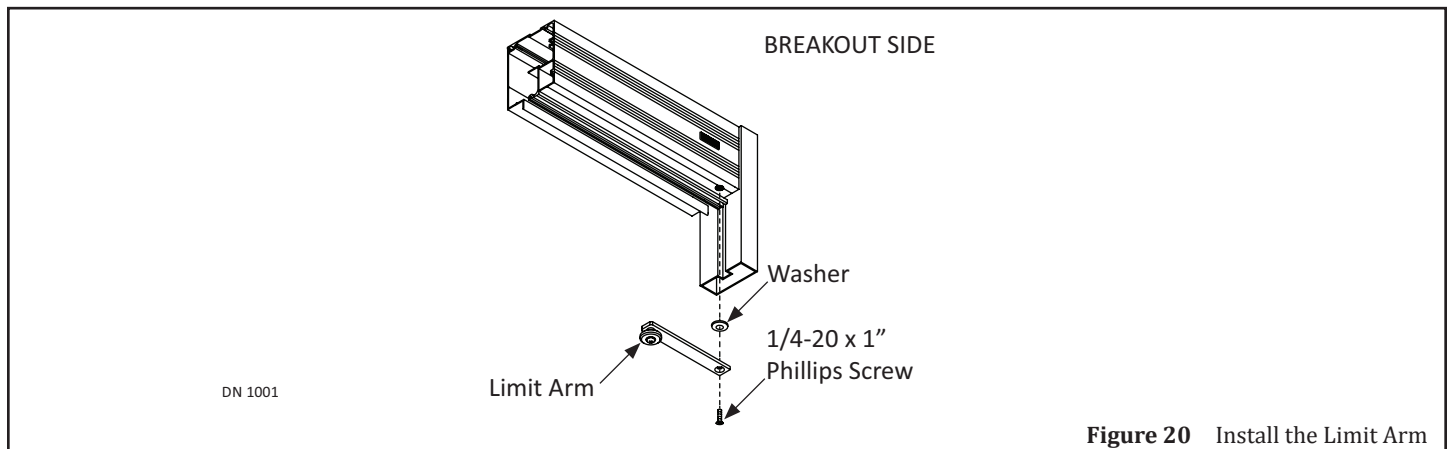


Figure 20 Install the Limit Arm

## 5.3 Attach the Swing Sidelite to Pivots

1. Go underneath the Pivot Stile. Insert the Bottom Pivot into the Floor Pivot Barrel.

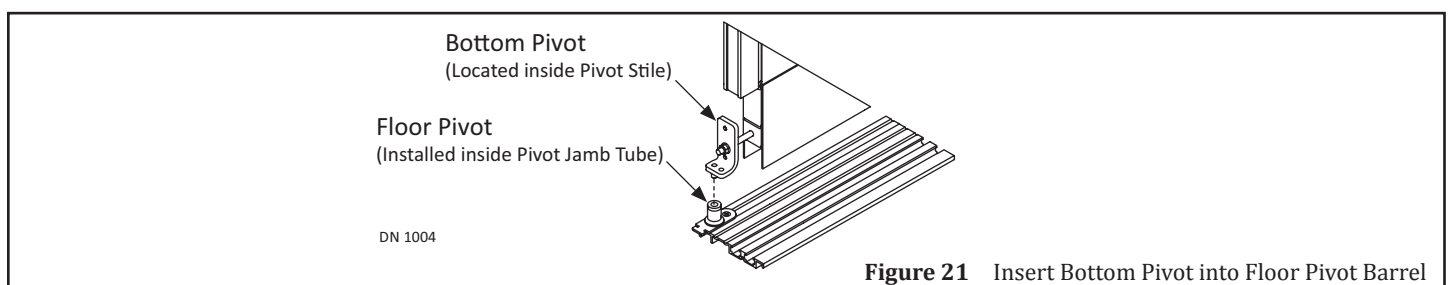


Figure 21 Insert Bottom Pivot into Floor Pivot Barrel

2. Go to the Top of the Pivot Stile. Locate the Top Pivot.
3. Push the Top Pivot down by pressing on the Spring Pin.
4. Align the Top Pivot with the Pivot Hole located at the bottom of Header.
5. Release the Spring Pin to allow the Top Pivot to snap up into the hole.
  - a. Ensure the Top Pivot fully engages the hole.
  - b. If necessary, use a flathead screwdriver to lift up on the Spring pin until the Pivot Pin is fully seated in the hole.
  - c. Ensure not to pinch Cable Wiring.

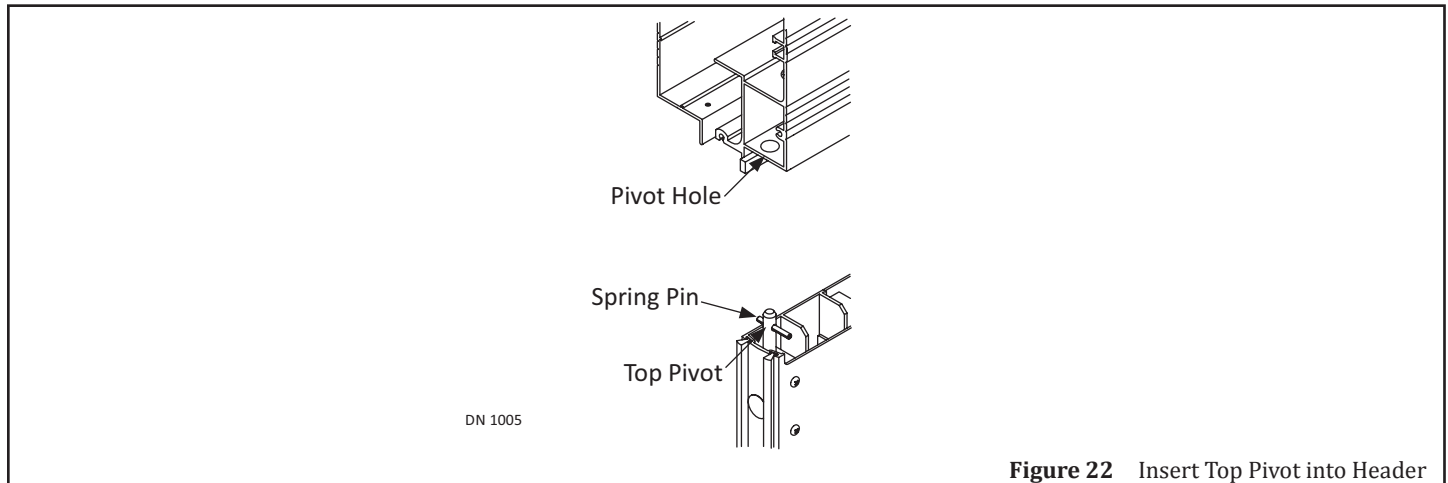


Figure 22 Insert Top Pivot into Header

#### 5.4 Complete Installation of the Limit Arm

1. Open the Swing Sidelite out to 90 degrees.
2. Align the Limit Arm with the Top Rail.
3. Rest the Wheel of the Limit Arm inside the Top Rail.
4. Open the Swing Sidelite all the way.
5. Tighten the (1) 1/4-20 x 1 inch Phillips Head screw. Do not overtighten.
6. Test the Swing Sidelite to ensure it opens and closes properly.
  - a. Tighten and/or untighten the (1) 1/4-20 x 1 inch Phillips Head screw as necessary

### SECTION 6: INSTALL THE SLIDE DOOR

#### CAUTION

Do not test Breakout until all adjustments are made and doors are secured.

#### 6.1 Lift Carrier onto Track

1. Cover the Sidelite Panel with cardboard on the Non-Breakout side.
2. Go to the top of the Slide door to locate the Carrier.

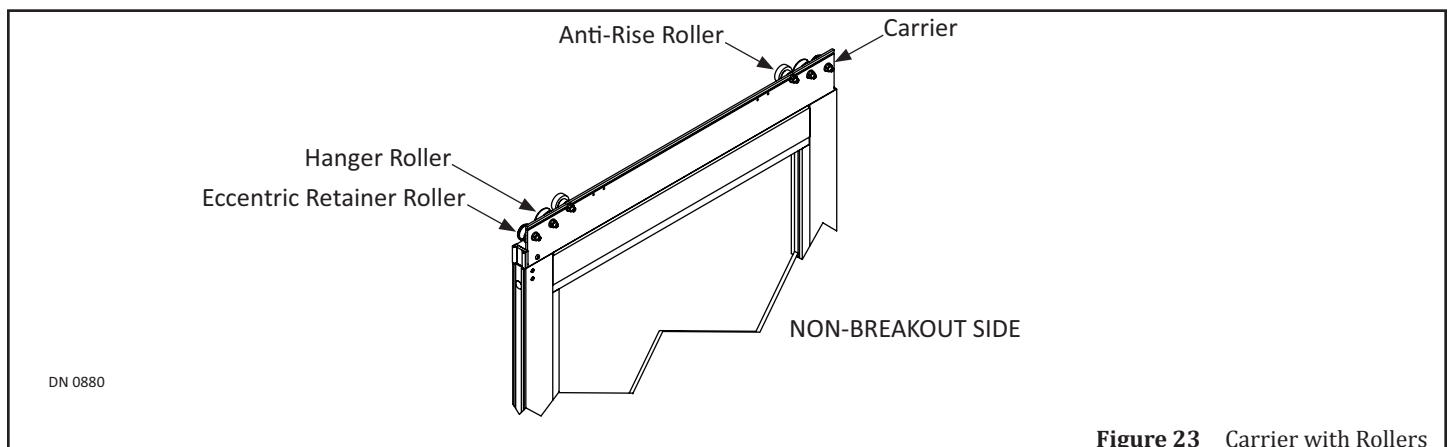


Figure 23 Carrier with Rollers

3. Loosen (1) Nut on each Roller by inserting (1) 7/32" Allen wrench into the exposed end of a Roller Axle. Hold the 7/32" Allen wrench in place to keep the Roller Axle stationary. At the same time, loosen (1) 7/16-20 Whizlock nut with a 15/16" Open End Wrench.
4. Slightly tilt the Slide door to make it easier for the (6) Carrier Rollers to 'catch' onto the track.
5. With Slide door tilted install the Carrier onto the Track.

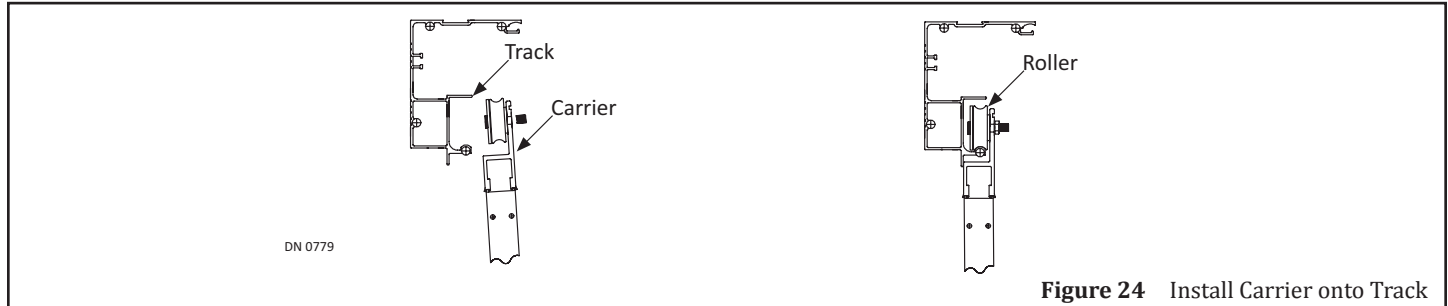


Figure 24 Install Carrier onto Track

## 6.2 Secure Belt Clip to Carrier

1. Go to the Strike Side of Carrier.
2. Line up (2) screw holes located on the Carrier with (2) screw holes located at the bottom of the Belt Clip bracket.
3. Secure the Belt Clip to the Carrier with (2) 1/4-20 x 3/4 inch Tri-Lobe Head screws provided by NABCO.

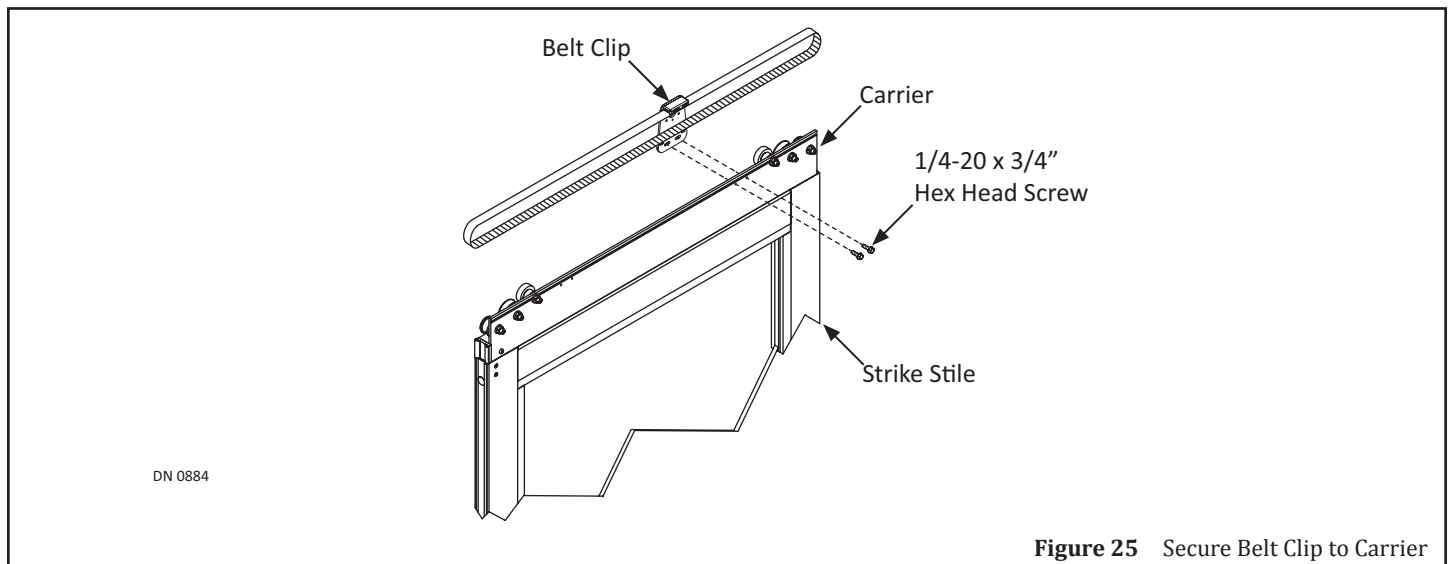


Figure 25 Secure Belt Clip to Carrier

## 6.3 Install the Bottom Guide Assembly (Fixed Sidelite)

**FOR FULL OPEN UNITS SKIP TO  
SUBSECTION 6.4**

1. Go to Bottom Rail of Fixed Sidelite. Locate the Double Roller Assembly previously installed. The Bracket will be sticking out from underneath.

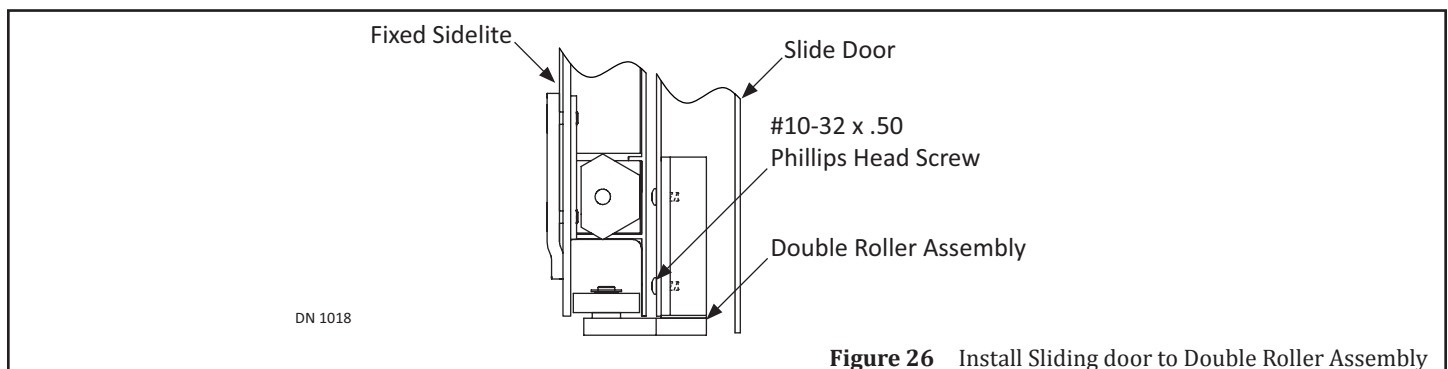


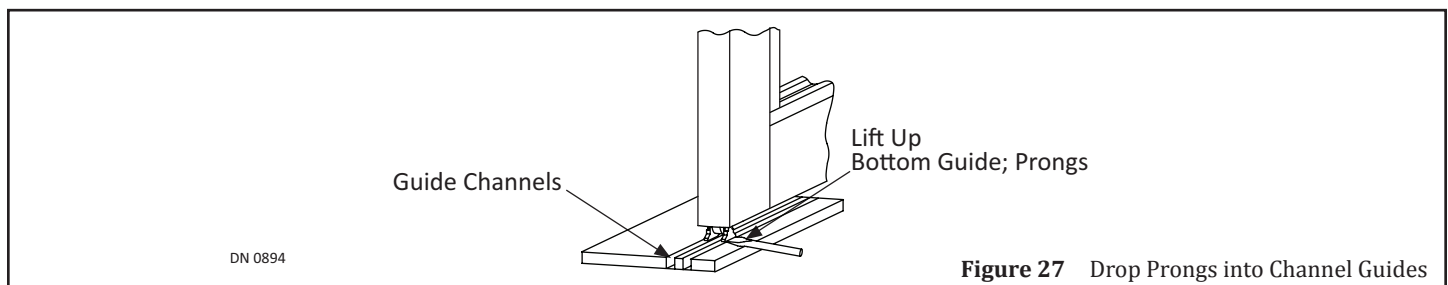
Figure 26 Install Sliding door to Double Roller Assembly

2. Slide the door onto the Bracket portion of the Double Roller Assembly.
3. Breakout the Slide door to Full Open position.
  - a. Support the weight of the Slide door.
4. Line up Bracket screw holes to the (2) pre-drilled screw holes located on Bottom Rail.
5. Secure Bracket to the Bottom Rail with (2) #10-31 x .50 Phillips Head screws.

#### 6.4 Install the Bottom Guide Assembly (Full Open)

**FOR FIXED SIDELITE UNITS SKIP TO  
SUBSECTION 6.5**

1. Go to Bottom Rail of the Slide door.
2. Locate the Bottom Guide Assembly that was preinstalled inside the Strike Stile.
3. Lift up the Prongs until the Bottom Guide is directly above the Guide Channels.
4. Allow the Prongs to drop down into the Guide Channels.
5. Obtain screws and anchors per NOA Documentation.
  - a. NABCO does not supply screws and anchors to secure the Floor Track.
  - b. The number of screws and anchors depends upon length of Floor Track.
6. Permanently secure the Floor Track with screws and anchors.

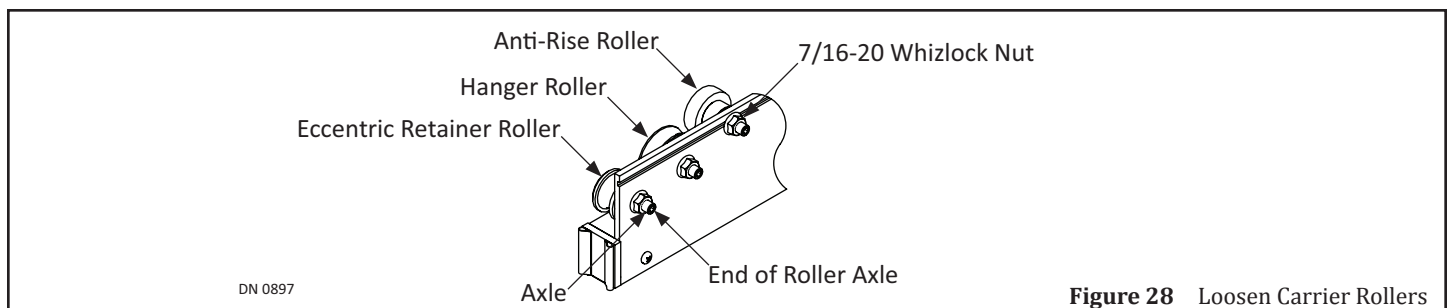


#### 6.5 Adjust Rollers on Carrier

**CAUTION**

**Do Not rotate the Roller Axle counter-clockwise. Doing so will unthread the Axle from the Roller assembly.**

1. To loosen a Roller, insert a 7/32" Allen wrench into the exposed end of a Roller Axle.
2. Hold the 7/32" Allen wrench in place to keep the Roller Axle stationary. At the same time, loosen (1) 7/16-20 Whizlock nut with a 15/16" Open End Wrench.



#### 6.6 Hanger Rollers

Hanger Rollers are used to:

- ▶ Evenly distribute weight of the Slide door.
- ▶ Adjust height of the Slide door.
- ▶ Adjust the Leading edge of the Slide door at the top and bottom so it is parallel to another Slide Door (Bi-Part), or the Strike Jamb Tube (Single), and the Header.

1. Loosen (2) Hanger Rollers located between the Anti-Rise Roller and the Eccentric Carrier Roller.
2. Raise or lower the Slide door by turning the Axle clockwise with a 15/16" Open End Wrench.
  - a. The appropriate gap between the Bottom Rail and floor is between 11/16 inch to 15/16 inch; with the nominal gap being 7/8 inch.



3. Ensure the Leading Edge of the Slide door and (other Slide door or Jamb Tube) are parallel.
4. Ensure the Leading Edge of the Slide door and Header are parallel.
5. Retighten the 7/16-20 Whizlock nuts. Do not overtighten.

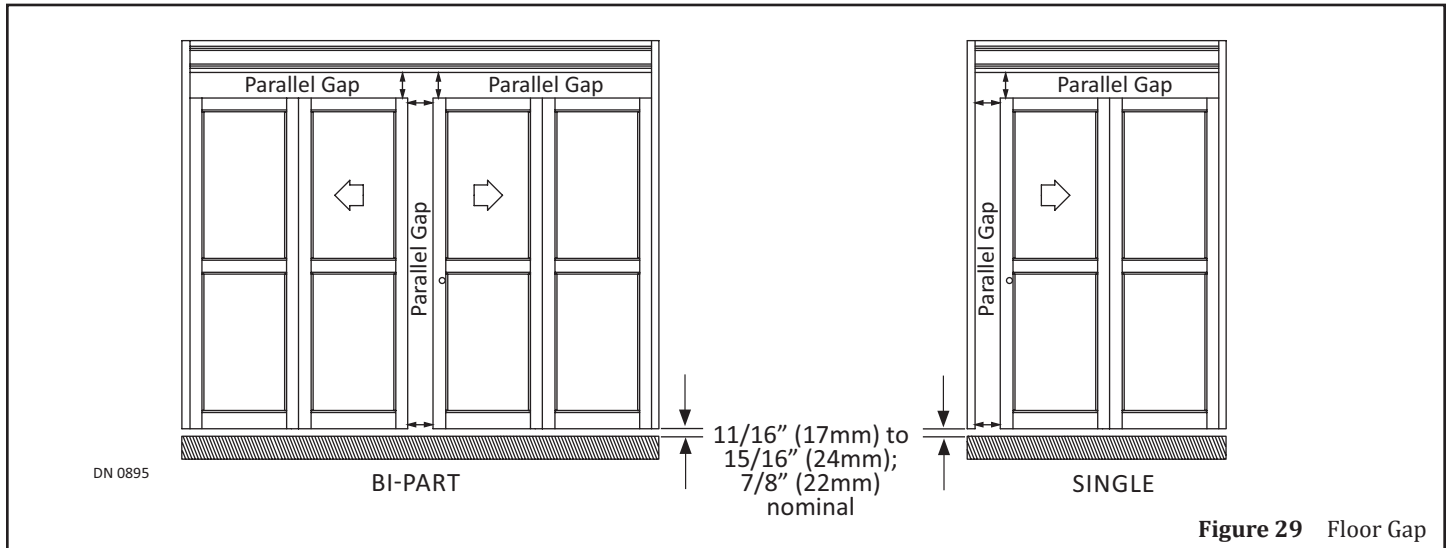


Figure 29 Floor Gap

### 6.7 Anti-Rise Rollers

**CAUTION**

Ensure (1) Anti-Rise Bracket is aligned directly above each Anti-Rise Roller.

1. Fully close Slide Door. Ensure each Anti-Rise Bracket is aligned directly above each Anti-Rise Roller. If not, go to the Anti-Rise Bracket and loosen (1) 3/8-16 Whizlock Nut with a 9/16 inch wrench.
2. Slide the Anti-Rise Bracket to the left or right. Retighten screws. Do not overtighten.

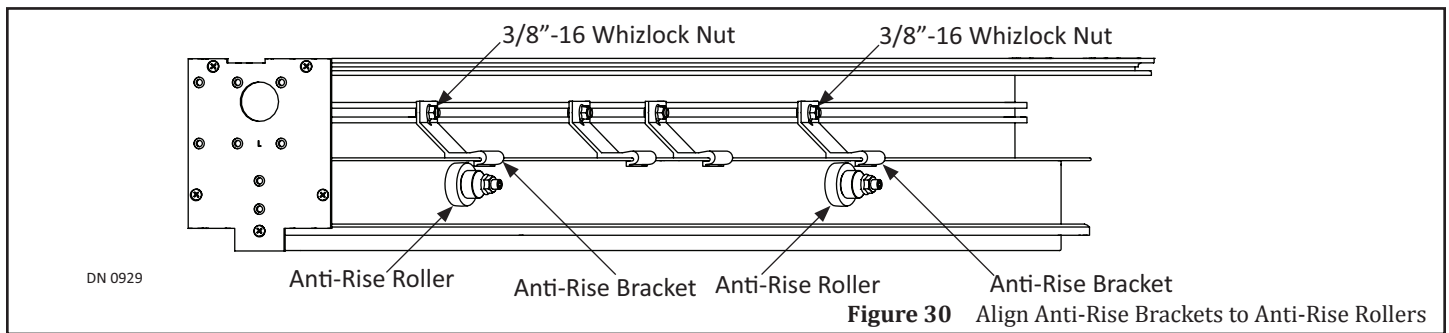


Figure 30 Align Anti-Rise Brackets to Anti-Rise Rollers

3. Loosen (2) Anti-Rise Rollers located towards the middle of the Carrier. Turn the Axle clockwise until there is a 1/64 inch to 1/32 inch gap between the Roller Wheel and the Top Track.
  - a. Gap should be about the same thickness of a credit card.
4. Retighten the 7/16-20 Whizlock nuts. Do not overtighten.

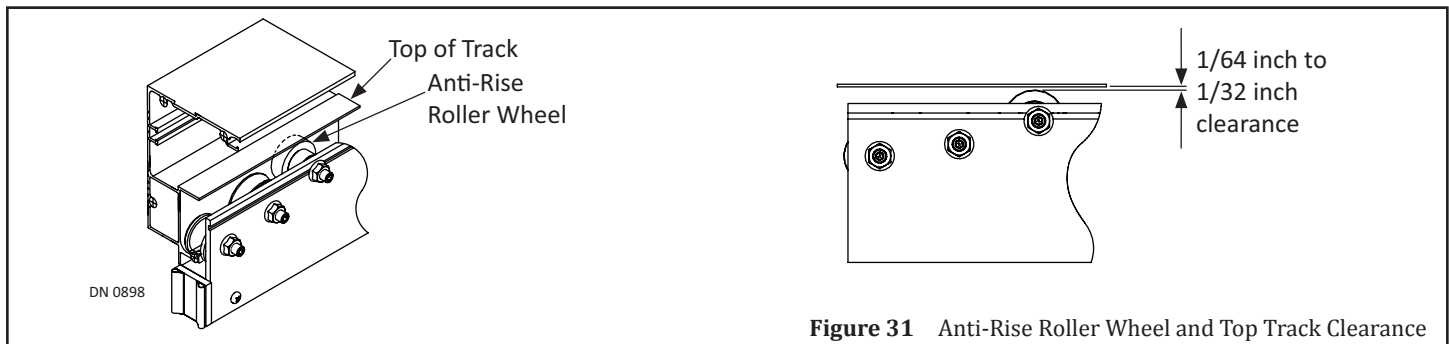
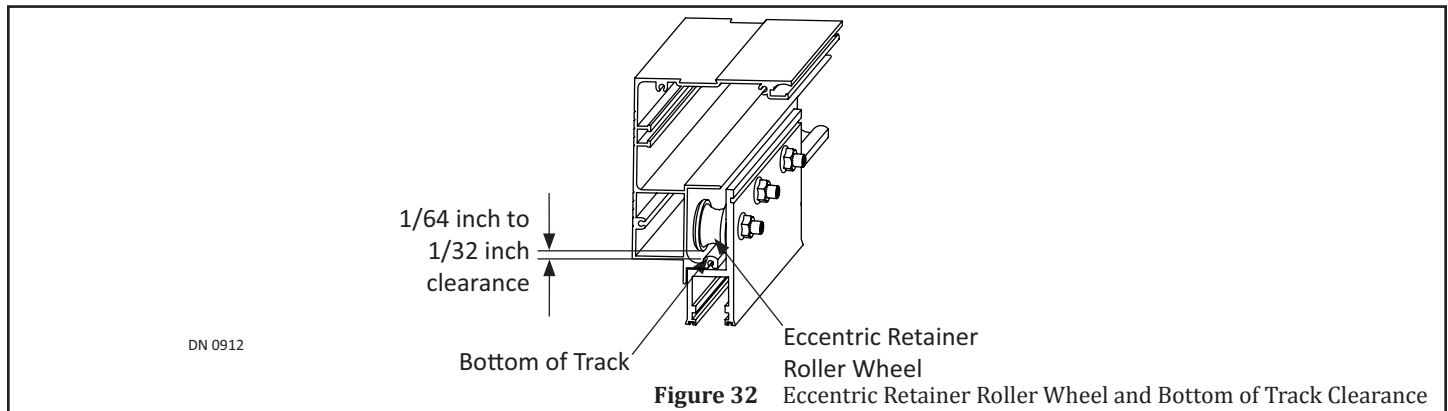


Figure 31 Anti-Rise Roller Wheel and Top Track Clearance

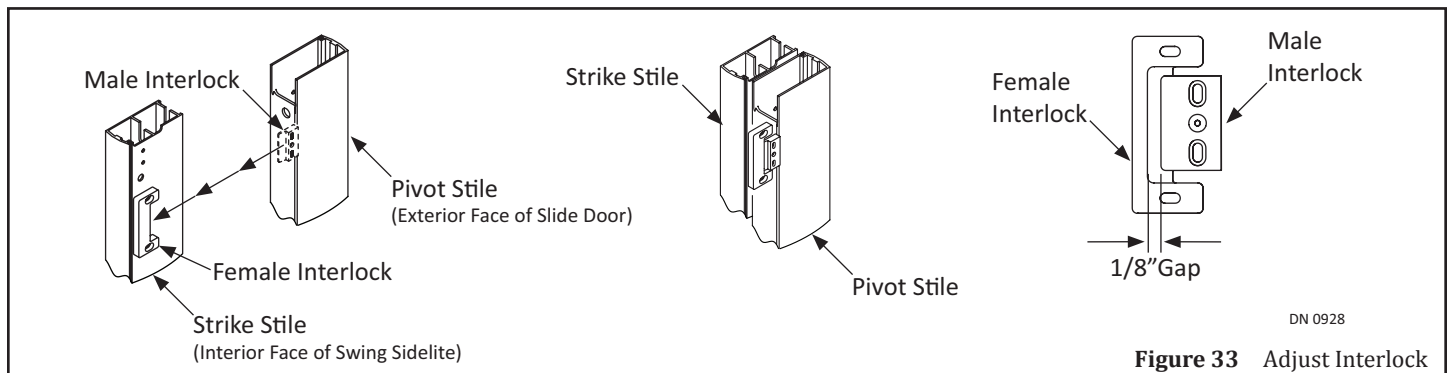
## 6.8 Eccentric Retainer Rollers

1. Loosen (2) Eccentric Retainer Rollers located at the edge of Carrier.
2. Turn the Axle clockwise until there is a 1/64 inch to 1/32 inch gap between the Roller Wheel and the Bottom Track.
  - a. Gap should be about the same thickness of a credit card.



## 6.9 Adjust the Interlock

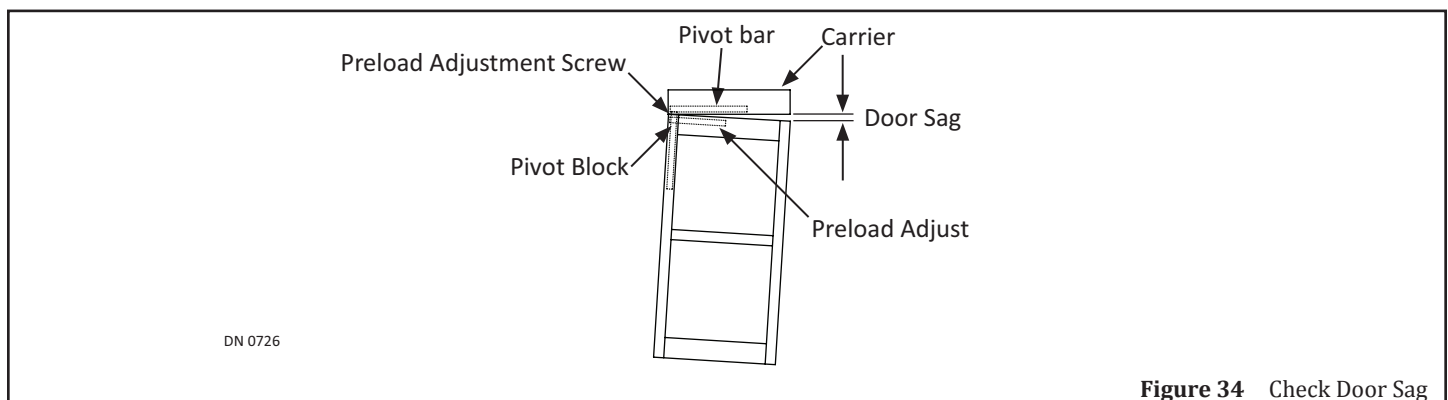
1. Manually close the Slide Door.
2. Ensure there is approximately 1/8 inch gap between the male Interlock and the Female Interlock.
  - a. The Slide door will not operate properly if the gap is less than 1/8 inch.
3. Loosen mounting screws to adjust one or both Interlocks.
4. Retighten Mounting screws once gap is appropriate width.



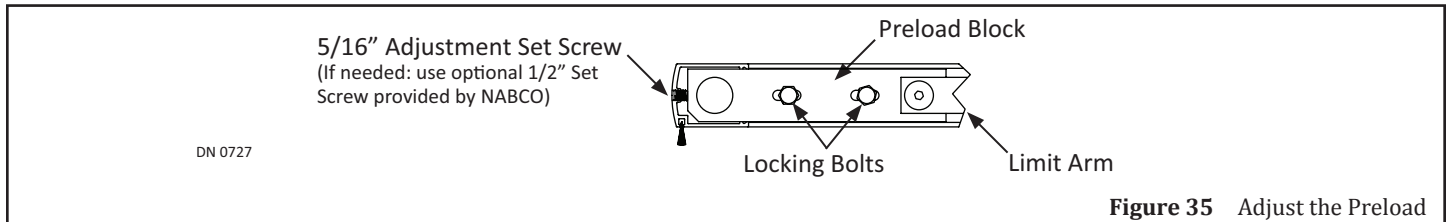
## 6.10 Adjust the Preload

*Note: Glass must be installed first before adjusting the Preload on Slide Door.*

5. Support the weight of Slide Door. Then Breakout approximately 5 degrees.
  - a. Just enough to expose the Preload Adjustment Screw located on back edge of door.
  - b. Fixed sidelite must not come into contact with other doors.



6. Check for door sag.
7. Go to the Preload Block located inside Top Rail.
8. Loosen (2) Locking Bolts.
9. Go to the back edge of Pivot Stile. Reduce Door sag by tightening the 5/16 inch Adjustment Set Screw with an 5/32 inch Allen Wrench.
  - a. The Door should latch without having to be manually lifted.
  - b. Do Not allow the Adjusting Set Screw to protrude more than 5/32 inch past the end of stile.
  - c. If deemed necessary: an optional 1/2 inch Set Screw has been provided by NABCO.

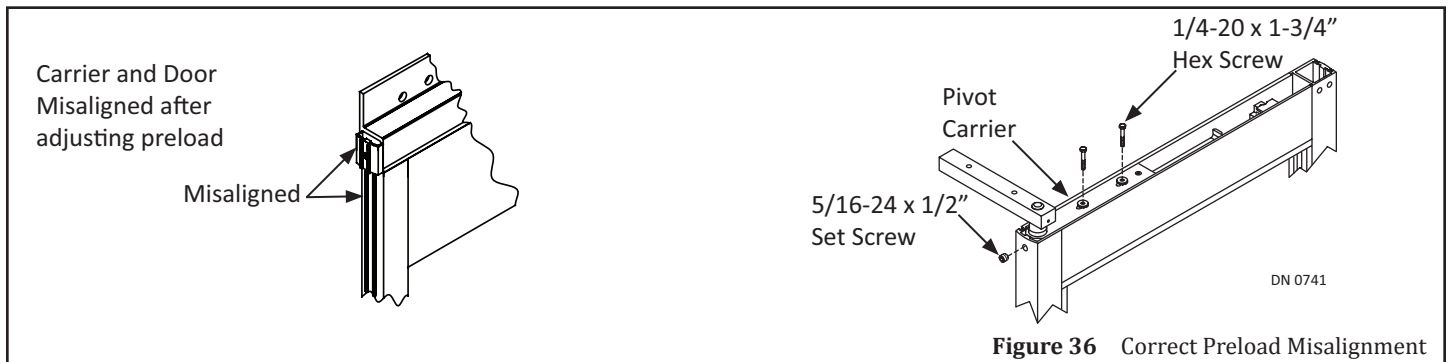


**Figure 35** Adjust the Preload

**6.11 Correct Preload Misalignment**

If Preload results in a misalignment of the Strike end of the door and Carrier; continue with the following instructions.

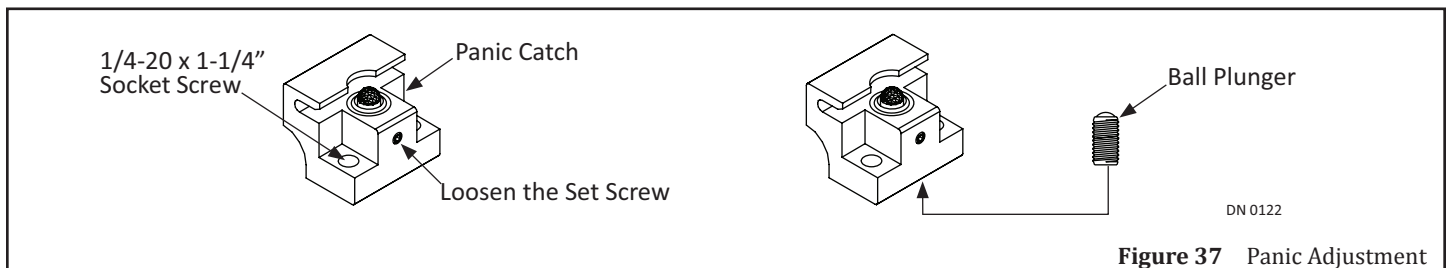
1. Loosen the Allen head fasteners in the pivot bar and slide the pivot bar in the hanger until the door and hanger are properly aligned.
2. Verify that the panic catch in the top rail of the door and the hanger are still aligned.
3. If necessary loosen the set screws for the panic catch in the hanger and reposition to align with the panic catch in the top rail.



**Figure 36** Correct Preload Misalignment

**6.12 Adjust the Ball Plunger**

1. Breakout the Slide door.
2. Remove (2) 1/4-20 x 1-1/4 inch Socket screws that are used to secure the Allen Block to the Top Rail.



**Figure 37** Panic Adjustment

3. Loosen the Set screw that is located in front of the Panic Block.
  - a. Adjust the Ball plunger down, so Panic Catch does not engage if Panic Hardware is used.
4. Raise or lower the Ball plunger located underneath the Panic Block. Tighten the Set screw.
  - a. The Ball plunger must be adjusted for proper breakout resistance to meet ANSI A156.10 code or local code.
5. Reinstall the Panic Block and tighten the two Allen screws that were saved for reinstallation. Repeat if necessary.

## SECTION 7: WIRE THE SWITCH ASSEMBLY (ROCKER SWITCH OR KEY SWITCH)

1. Go to the Header. Remove the Switch Assembly Parts box. Set Aside.
2. Go inside the Header. Locate the Pin wiring that is attached to the U30 Microprocessor Control, Main Harness.
3. Draw Pin wiring through a hole located at the side of Header and Jamb Tube. Continue to route wiring down the Jamb Tube.
4. Pull the Pin Wiring through the cut out.
5. Obtain (1) loose 5 Circuit Pin Housing from the Parts Box.
6. Insert each Pin into the 5 Circuit Pin Housing accordingly:
  - a. 1 = Red, 2 = White, 3 = Blue, 4 = Green, 5 = Black
7. Obtain (1) Switch Assembly and (2) 10-32 x 1/2 inch Phillips Head Screws from the Parts Box.
8. Connect the Switch Harness from the back of the Switch Assembly to the Main Harness.
  - a. Place extra wiring back inside the Jamb Tube.
9. Insert the Switch Assembly into the Cut Out.
10. Secure the Switch Assembly to the Jamb Tube with (2) 10-32 x 1/2 inch Phillips Head Screws.

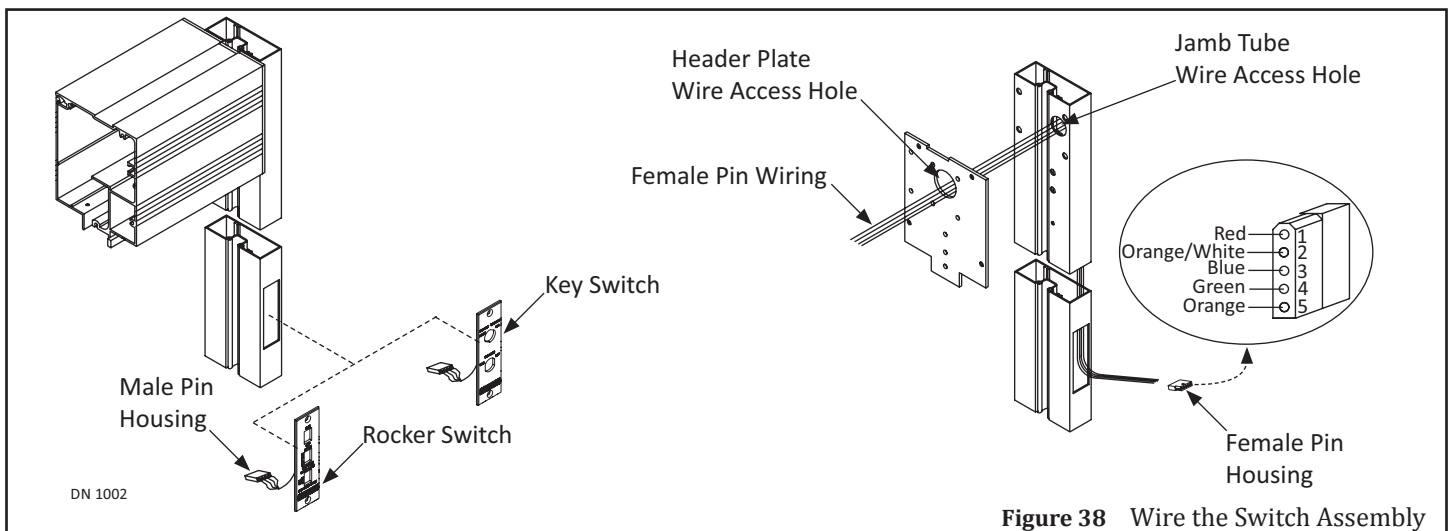


Figure 38 Wire the Switch Assembly

## SECTION 8: 110 VAC GENERAL WIRING

### DANGER

Read and understand the “U30 Controller Setup and Programming Manual” P/N 15-9000; and the “Electrical Installation Manual U30 Control” P/N 15-10596-30 before attempting to power-up the GT-1175 Slide Door. Failure to do so may result in damage to the Slide door and/or injury to the installer and will nullify all warranties.

### DANGER

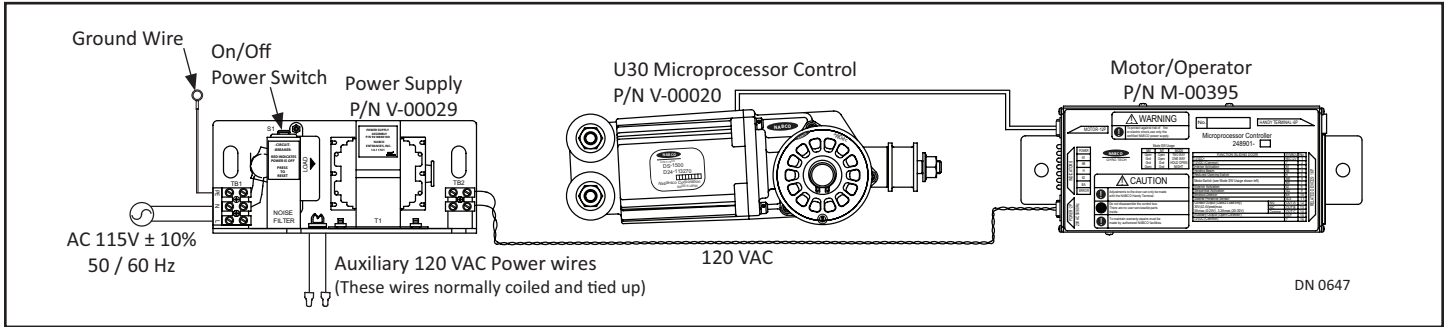
Disconnect power to the junction box prior to making any electrical connections. Failure to do so may result in serious personal or fatal injury. When uncertain whether power supply is disconnected, always verify using a voltmeter.

**Notice:** Wiring must meet all local, state, federal or other governing agency codes.

1. Ensure all power is disconnected at the Junction box and the 1175 Slide Door.
2. Determine correct supply voltage is 115 VAC  $\pm$  10%.
3. Insert all incoming 120VAC power wires into the access hole located on Jamb Tube. It is recommended to house all wires into an Electrical Conduit.

### CAUTION

Keep all incoming 120 VAC wiring separate from low voltage wiring within Header. Do not route 120 VAC wires near the U30 Microprocessor Controller and Motor/Operator.



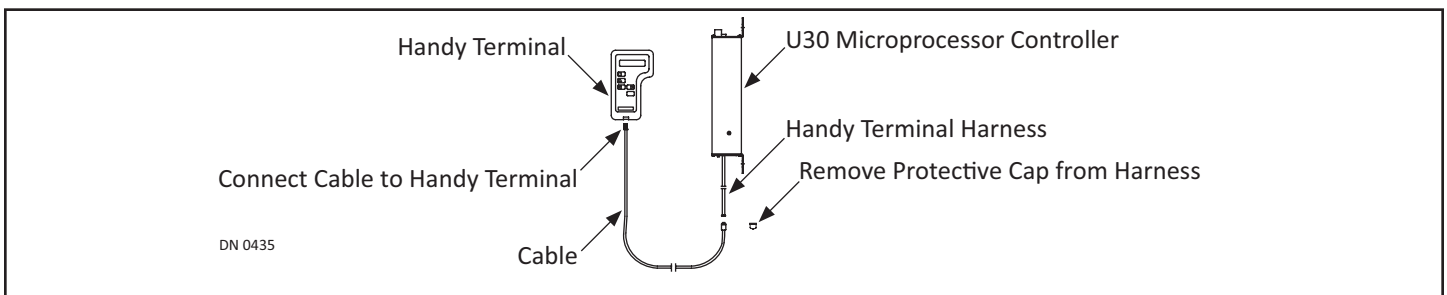
4. Go to the TB1 Port located on the Left side of the Power Supply Module.
5. Insert the Incoming 120 VAC Black (HOT) wire into the Circuit marked "L".
6. Insert the Incoming 120 VAC White (Neutral) wire into the Circuit marked "N".
7. Insert Green (Grounding) wire into the Circuit marked "PE".
8. Ensure the Slide door system is Grounded for safe and consistent operation.

**8.1 Determine Correct Handing**

1. With power OFF, manually slide the door half way open.
2. Turn power ON. The Slide door should slowly close (per Power On factory settings).

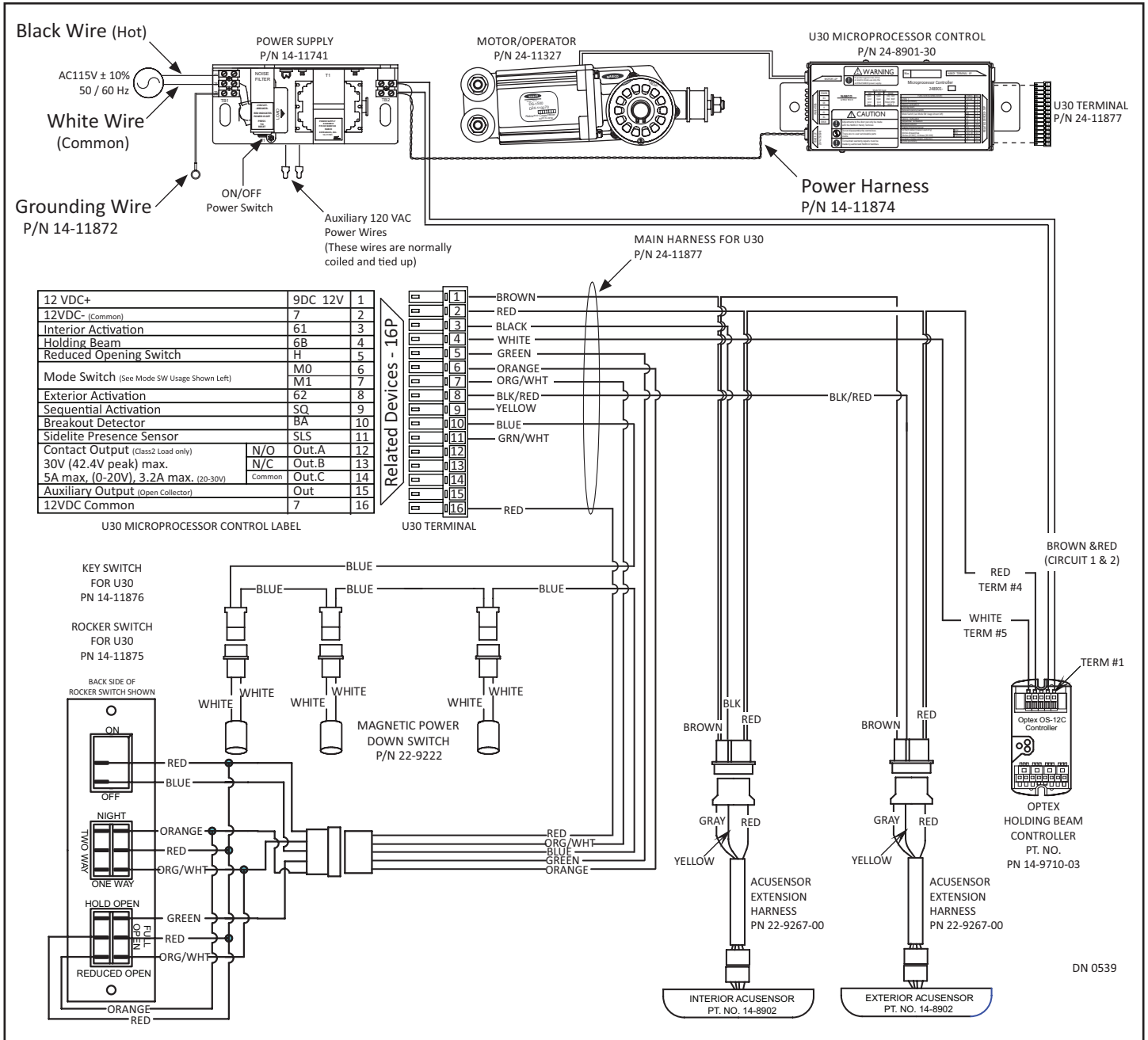
**8.2 Correct Wrong Handing**

1. With the power ON, obtain the Cable from the Handy Terminal Case.
2. Go to the Handy Terminal Harness that is connected to the U30 Microprocessor Controller. Remove the protective Cap.
3. Connect the plug end of the Cable (that is protected with a metal sleeve), to the socket of the Handy Terminal Harness.
  - a. The plug end of the Cable has multiple prongs that need to line up with the socket. Gently turn the plug end clockwise while trying to insert it until a connection can be made.
4. Connect the other end of the Cable to the Handy Terminal.
5. Press: **ENTRY** until the screen displays: **SPECIAL FUNCTION ADJUSTMENTS** Then select: **Y**
6. Continue pressing: **ENTRY** until the Screen displays: **RECYCLE** Change the setting.
7. Disconnect the Handy Terminal.
  - a. Wait at least (10) seconds before disconnecting Handy Terminal to allow last test to complete and message display to stabilize.
8. With power OFF, manually slide the door half way open.
9. Turn power ON. The Slide door should slowly close (per Power On factory settings).
10. Plug the Handy Terminal back into the Terminal Connector.

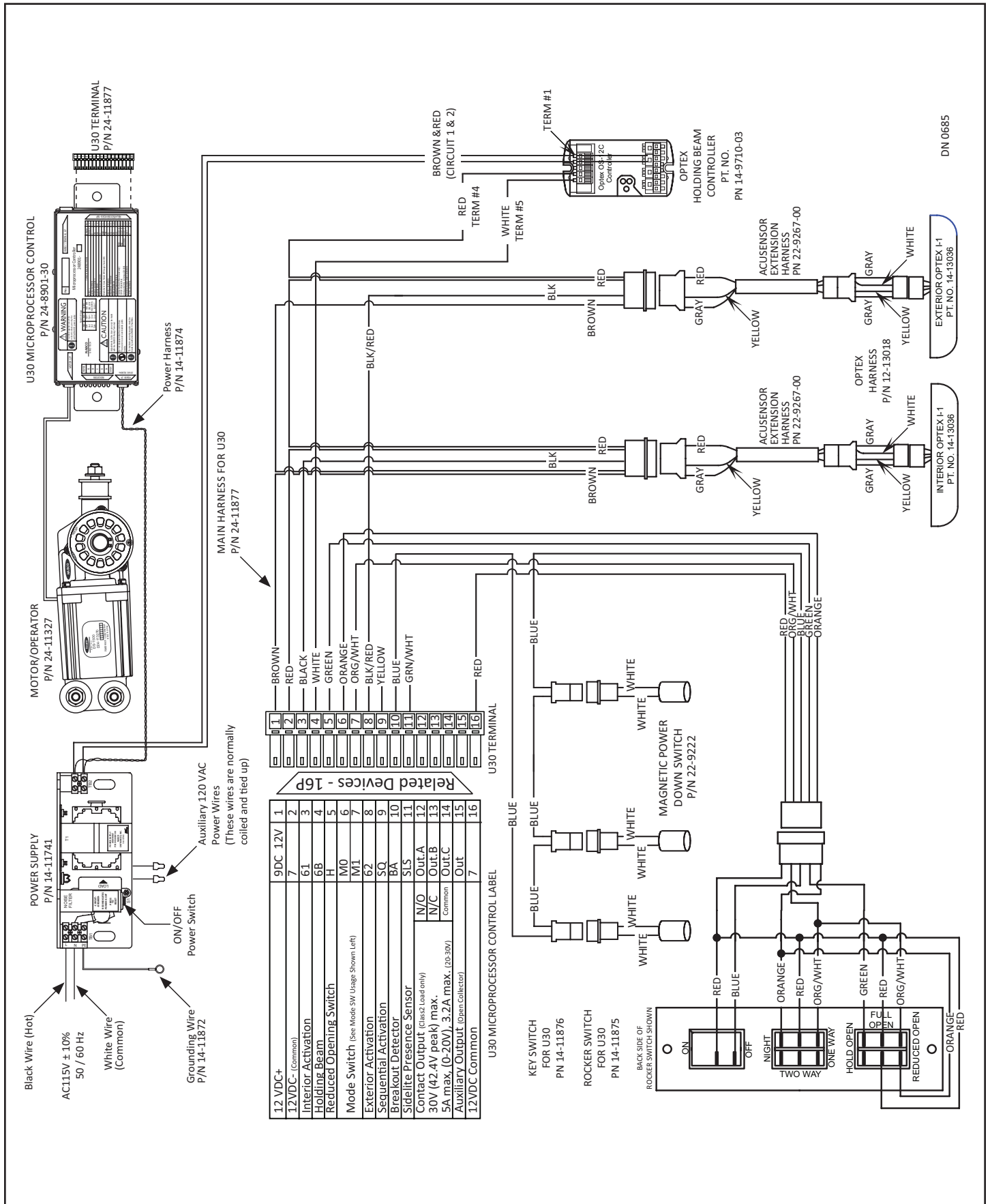


**SECTION 9: GENERAL WIRING**

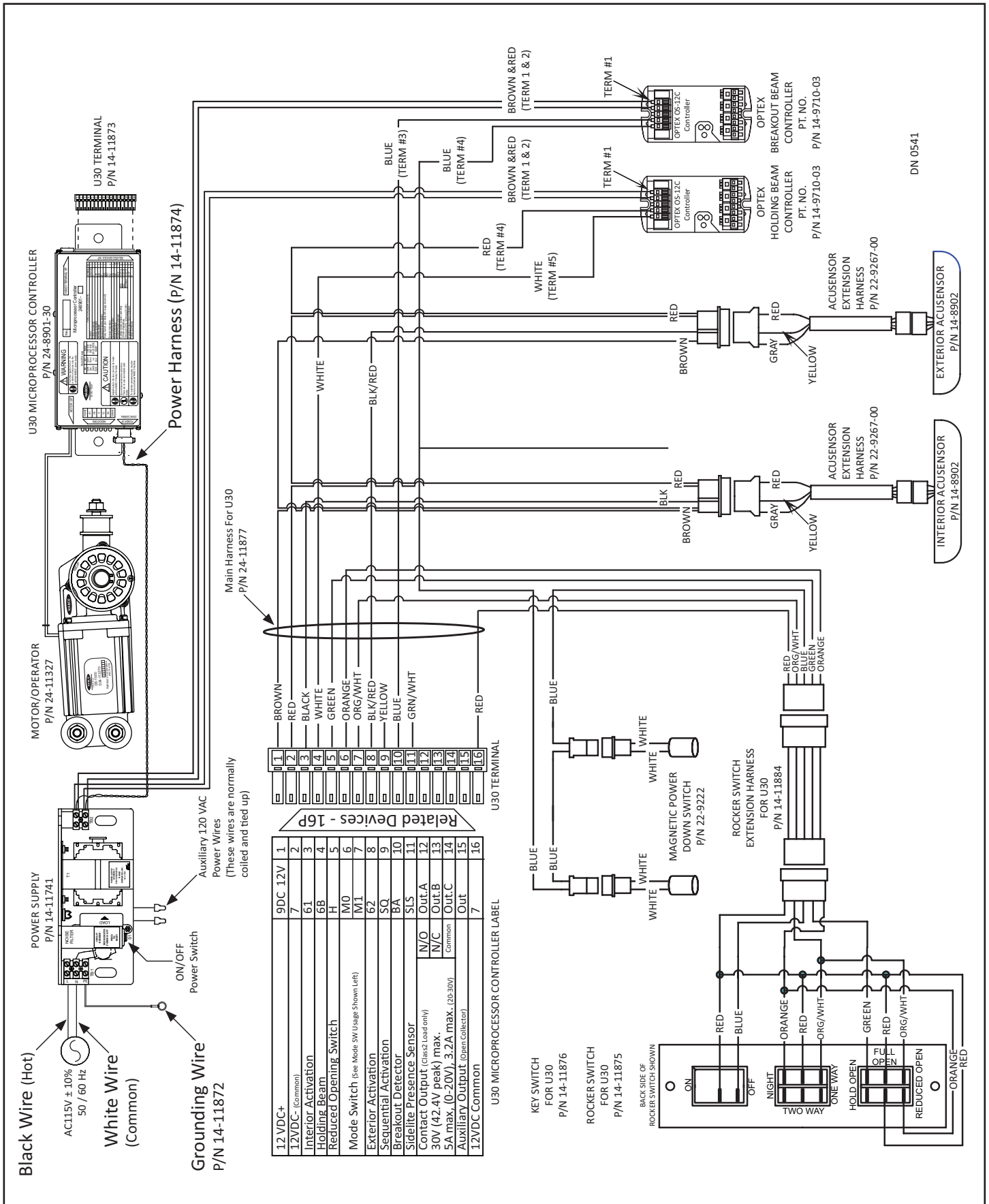
**9.1 (2) Acusensors and (1) Holding Beam**



9.2 (2) Optex i-One Sensors, (1) Holding Beam and (1) Breakout Beam

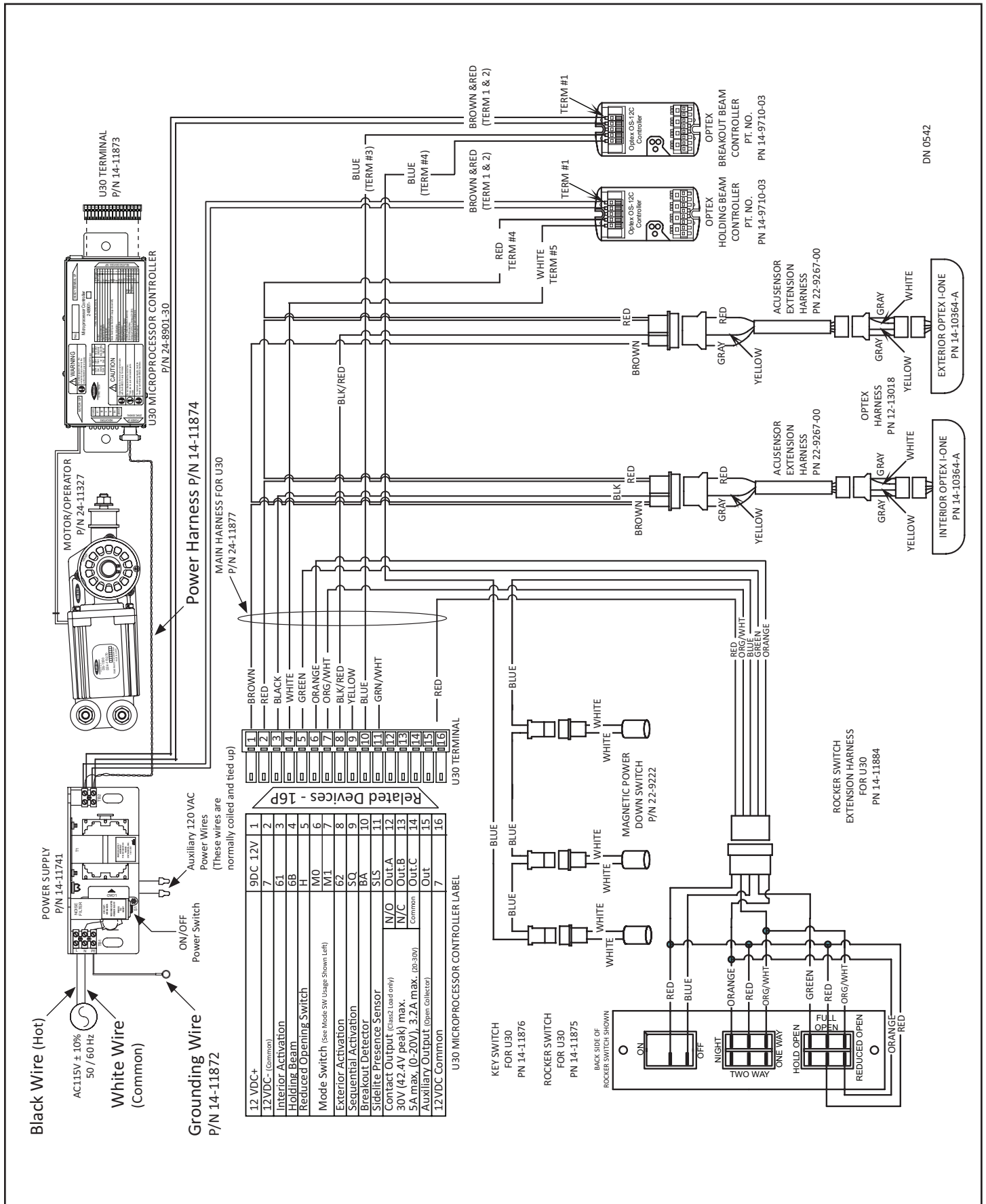


### 9.3 (2) Acusensors, (1) Holding Beam and (1) Breakout Beam

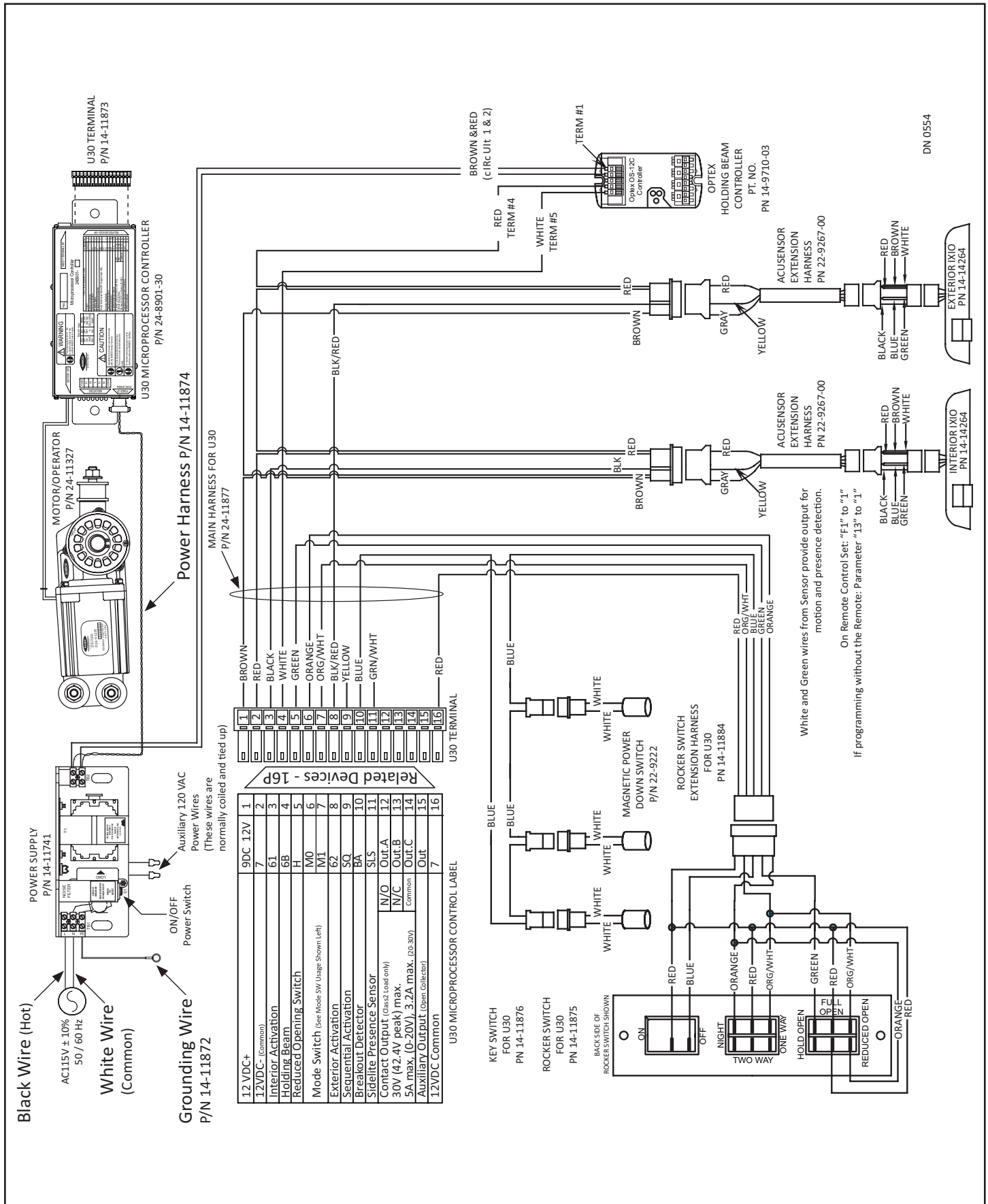




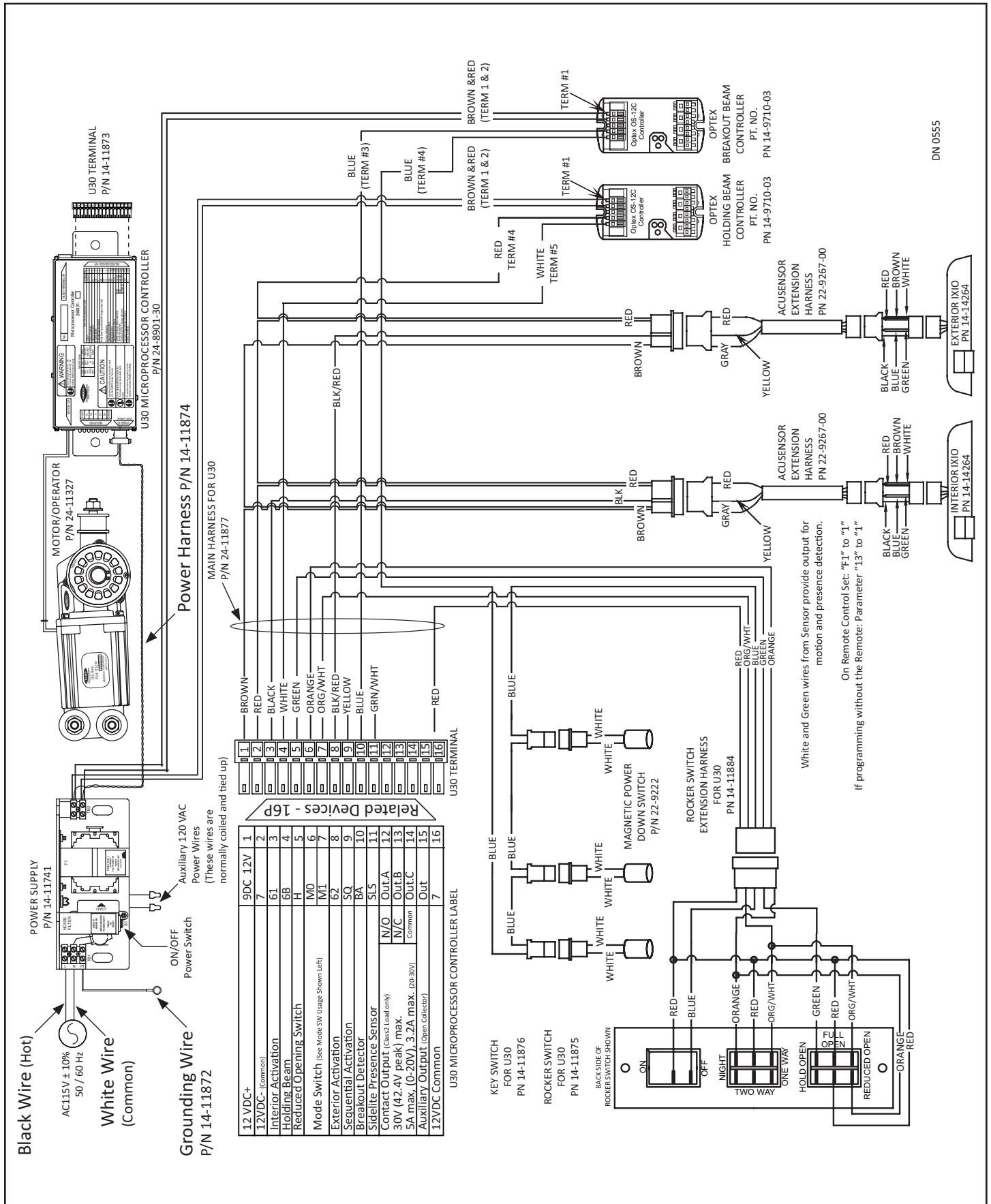
9.4 (2) Oplex i-One Sensors, (1) Holding Beam and (1) Breakout Beam



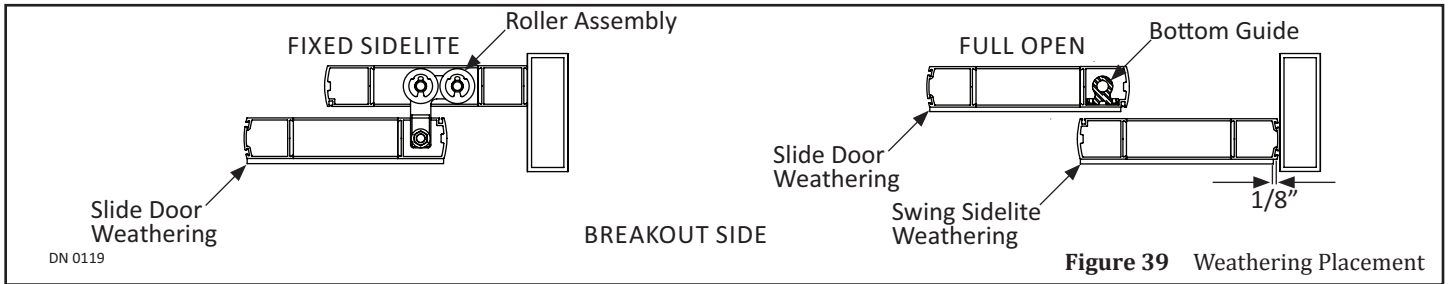
9.5 (2) Wizard G3, and (1) Holding Beam



9.6 (2) Wizard G3, (1) Holding Beam and (1) Breakout Beam



**SECTION 10: INSTALL WEATHERING**

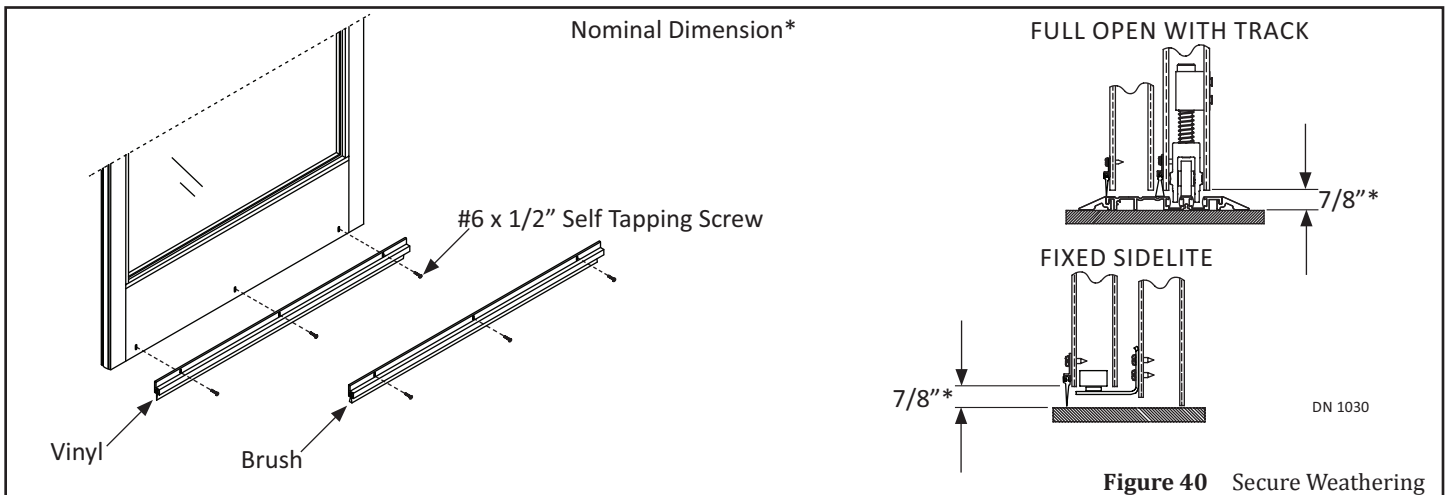


**10.1 Fixed Sidelite Slide Door**

1. Slide Vinyl into the Brush Holder.
2. Secure Brush Holder to Bottom Rail of Slide door with #6 x 1/2 inch self tapping screws.

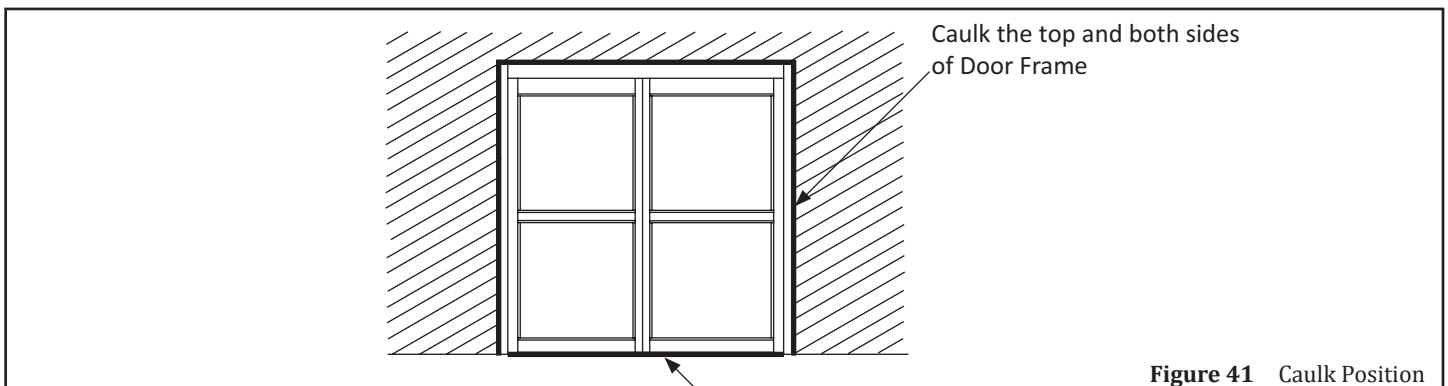
**10.2 Full Open**

1. Slide Vinyl into the Brush Holder. Secure Brush Holder to Bottom Rail of Swing Sidelite with #6 x 1/2 inch self tapping screws.
  - a. It is recommended to leave at least a 1/8 inch gap between the Edge of the Pivot Stile and the Brush Holder.
  - b. Allow 1/8 inch Vinyl to extend past the Brush Holder so the gap is filled.
  - c. Failure to do so, will cause the Brush Holder to damage the Pivot Jamb Tube and/or keep the Swing Sidelite from opening.
2. Breakout the Swing Sidelite. Slide Brush into the Brush Holder.
3. Secure Brush Holder to Bottom Rail of Slide door with #6 x 1/2 inch self tapping screws.



**10.3 Apply Caulking Bead**

1. Ensure the entire Door Frame is properly secured to the Rough Opening.
2. Apply caulking bead between the Door Frame and Rough Opening (inside and outside).



**Figure 41** Caulk Position

**SECTION 11: U30 MICROPROCESSOR SETTINGS**

Diagnostic LEDs for easy Troubleshooting			
Symbol	LED Color	Description	
Power	Red	Indicates power is ON.	
61	Red	Activation <ul style="list-style-type: none"> <li>Indicates a signal on the Black (61) wire.</li> <li>Black (61) wire carries the signal for the activation circuit that will open the door from a closed position in TWO WAY or ONE WAY mode only.</li> <li>Black (61) wire usually connects to the Interior motion sensor.</li> </ul>	
6B	Green	Holding Beam <ul style="list-style-type: none"> <li>Indicates a signal on the White (6B) wire.</li> <li>U30 Microprocessor can be programmed to ignore Holding Beam when door is fully closed.</li> </ul>	
H	Green	Reduced Opening <ul style="list-style-type: none"> <li>Indicates a signal on the Green (H) wire.</li> <li>The Green (H) wire carries the signal to the U30 Microprocessor Control to put the door into reduced opening.</li> </ul>	
62	Green	Activation <ul style="list-style-type: none"> <li>Indicates a signal on the Black/Red (62) wire.</li> <li>Black/Red (62) wire carries the signal for the activation circuit that will open the door from a closed position in TWO WAY mode only.</li> <li>Black/Red (62) wire usually connects to the exterior motion sensor.</li> </ul>	
BA	Green	Panic Breakout and OFF <ul style="list-style-type: none"> <li>When Green LED is OFF it indicates: Closed signal on the Blue (BA) wire or a Slide door is ready for operation</li> <li>Blue (BA) wire carries the signal for the Panic Breakout circuit that stops Slide door operation if the Slide door is panicked open or if the Rocker Switch is turned OFF.</li> <li>When Green LED is ON the circuit is open and the unit will not operate.</li> </ul>	
Error	Red	Off	Indicates normal operation.
		Flashing	Please see Error Flashing descriptions listed below.
		Error Flashes	Description
		1 flash	Door is in RECYCLE mode.
		2 flashes	12VDC output is overloaded.
		3 flashes	Indicates diagnostic error. Connect Handy Terminal to check error details.
		1 flash and 2 flashes	Recycle and 12 VDC Overload.
		1 flash and 3 flashes	Recycle and diagnostic error.
		2 flashes and 3 flashes	12 VDC overload and diagnostic error.
1 flash, 2 flashes and 3 flashes	Recycle; 12 VDC overload and diagnostic error.		

16 Pin Terminal Block Assignments (All wires are identified by color)				
No.	Symbol	Function	Wire Color*	Description
1	9DC 12V	12 VDC+	Brown	Output Terminal: <ul style="list-style-type: none"> <li>• Sensor power source Output Terminal</li> <li>• Output is 12 VDC with a maximum capacity of 0.35 amps (350 mA).</li> </ul>
2	7	Common	Red	Output Terminal: Provides common ground for the 12 VDC power and signal source.
3	61	Interior Activation	Black	Activation Signal Input: Opens the door based on a signal from the Sensor that is active in one way mode.
4	6B	Holding Beam	White	Holding Beam Input: Opens or re-opens a door when the holding beam signal is activated.
5	H	Reduced Opening Switch	Green	Reduced Opening Input: Enables reduced door opening when switched to Red (7)
6	M0 One Way	Mode Switch	Orange	Input for Switch 1 (SW1): Used to achieve special functions.
7	M1 Night	Mode Switch	* Orange/ White	Input for Switch 2 (SW2): <ul style="list-style-type: none"> <li>• Used to achieve special functions.</li> <li>• All references to Mode Switches are made in connection with ground (Red).</li> </ul>
8	62	Exterior Activation	* Black/ Red	Input Terminal: Receives signal from a Sensor that is switched out in ONE WAY mode.
9	SQ	Sequential Activation	Yellow	Input Terminal: Allows a sequence of signals to open and close the door.
10	BA	Breakout Detector	Blue	Input Terminal: <ul style="list-style-type: none"> <li>• Connects directly to Red (7) during normal operation.</li> <li>• When the Rocker Switch is turned OFF or if the door is panicked open, it is disconnected from Red (7) causing Slide door to stop operating.</li> </ul>
11	SLS	Misellaneous Input	* Green/ White	Input Terminal: Receives signal from Sidelite Sensor or additional devices.
12	OUT A	Auxiliary Output	Gray	Terminal is connected to the Normally Open contact on an Internal Relay: <ul style="list-style-type: none"> <li>• Also Referred to as the "Auxiliary Relay Output".</li> <li>• Used as a switch to sequence Electric Strikes, control other doors in an Airlock situation, or signal a Remote Computer on the door operation.</li> </ul>
13	OUT B	Auxiliary Output	Gray	Terminal connected to the Normally Close contact on an Internal Relay.
14	OUT C	Auxiliary Output	Violet	Terminal is the common for output wire OUT A or OUT B.
15	OUT	Auxiliary Output 2	*Brown/ Yellow	Terminal connected to an Internal Transistor with open collector in the U30 Microprocessor Control.
16	7	Common	Red	Terminal connected to an Internal Transistor with open collector in the U30 Microprocessor Control.

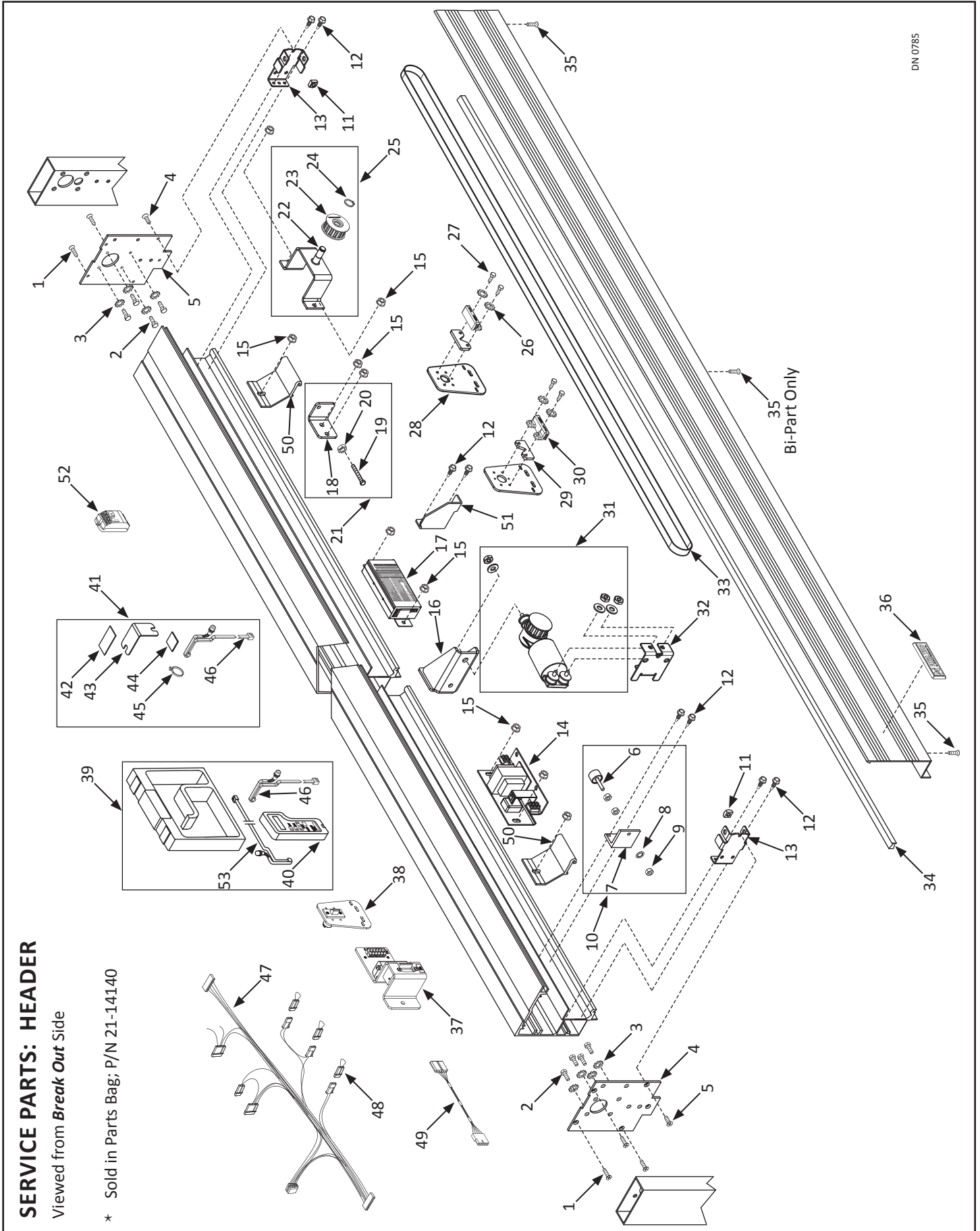
\* Color 1/Color 2 denotes a base wiring Color 1 with a Stripe Color 2 (e.g. Black/Red = Black wire with a Red Stripe)

<b>Handy Terminal Error Messages</b>			
<b>Error Message</b>	<b>Definition</b>	<b>Problem</b>	<b>Resolution</b>
ROM ERROR	Internal ROM Error: Internal memory error.	Door does not work.	Reset U30 Microprocessor Control by turning 120 VAC off then on again OR connect the Handy Terminal and clear the Error Message.
ERROR RESET AGAIN	Communication Error: Communication between the U30 Microprocessor Control and the Handy Terminal is not taking place.	Control does not retain new settings from the Handy Terminal	Reset U30 Controller by turning 120 VAC OFF then on again. If problem persists the cables, or control and/or Handy Terminal might be defective. Tip: Use Handy Terminal and/or Harness on a different door.
EEPROM ERROR	Internal EEPROM Error: Internal memory error.	Door does not work.	Replace the U30 Microprocessor Control.
ERROR_4	Electric Lock Error: Activation device was signaling the control to open door but the electric lock failed to unlock or bound up ten times.	Door does not work.	Reset U30 Controller by turning 120 VAC OFF then on again OR connect Handy Terminal & clear error message OR Turning ON/OFF switch OFF then ON again OR opening then closing panic breakout circuit.
ERROR_5	Recycle Error: Recycle was detected more than three times at same door position continuously.	Door does not recycle.	Reset the U30 Microprocessor Control by turning 120 VAC OFF then on again OR connect the Handy Terminal and clear the error message OR Turn the 'ON/OFF Switch" OFF then ON again OR open the closing panic breakout circuit.
ERROR_6	Interior Sensor Error: Sensor connected to the Black (61) wire is sending an error message to the U30 Microprocessor Control.	Door does not work but the electric lock works by means of a rocker switch.	Replace sensor (only applies to U-30 Microprocessor Controls with Nabco sensors).
ERROR_7	Exterior Sensor Error: Sensor connected to the Black/Red (62) wire is sending an error message to the U30 Microprocessor Control.	Door does not work but the electric lock works by means of a rocker switch.	Replace sensor (only applies to U-30 Microprocessor Controls with Nabco sensors).

Note: ERROR CODES may have been generated as the result of a hardware problem. If resetting the software as described above does not resolve the problem, cause of the hardware malfunction must be determined and corrected. Please contact NABCO Entrances, Inc. Toll free at 1-877-622-2694, for additional assistance.

Rocker Switch Settings (When wires M0 and M1 are switched to Red 7 the state is indicated by "ON")				
Mode	Wire M0	Wire M1	Wire H	Description
Two Way Mode	OFF	OFF	-	Both Sensors on Terminals 3 and 8 and the Holding Beam* on Terminal 4 will receive signals while the door is closed or cycling.
Hold Open Mode	ON	ON	-	No activation needed. Door is held open.
Reduced-Open Mode	-	-	ON	Door will go to the reduced opening position upon activation.
One-Way Traffic Mode	ON	OFF	-	<ul style="list-style-type: none"> <li>● Only the Sensor on Terminal 3 will receive signals while the door is closed.</li> <li>● The Sensor on Terminal 8 and the Holding Beam on Terminal 4 will be ignored while the door is closed.</li> <li>● During the door cycle both the Sensors and the Holding Beam will receive signals.</li> <li>● The electric lock will be active to prevent exterior entry.</li> </ul>
Night Traffic Mode	OFF	ON	-	<ul style="list-style-type: none"> <li>● No Sensor on Terminals 3 or 8 or the Holding Beam on Terminal 4 will receive signals while the door is closed.</li> <li>● Activation is only accomplished by switching M0 to Red (7).</li> <li>● During the door cycle both the sensors and the Holding Beam will receive signals. The electric lock remains locked except for activations from wall plates or card readers.</li> </ul>





**SERVICE PARTS: HEADER**

Viewed from *Break Out* Side

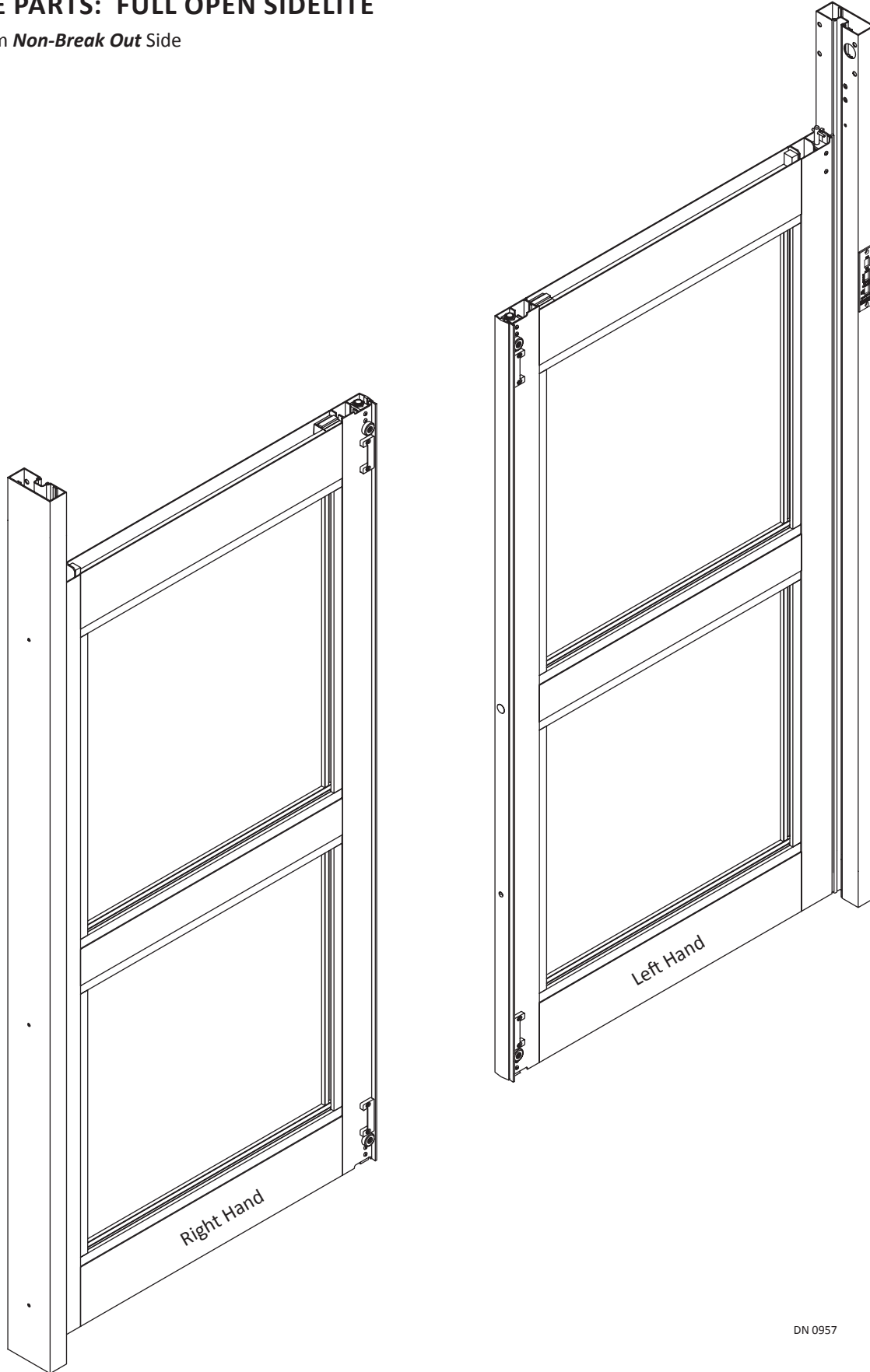
\* Sold in Parts Bag; P/N 21-14140

Header				
Item	Part	Finish/Sizes/Notes	Description	
1	24-4941-02		FHMS, 1/4-20 X 1", PHIL, TRILOBE, ZN	
2	24-0014-02		HHCS, 1/4-20 X 3/4", ZN	
3	24-0019-05		1/4" EXTERNAL STAR WASHER	
4	24-13282-11	Clear	ENDCAP, HEADER, 1175, RIGHT HAND, 204	
	24-13282-12	Dark Bronze	ENDCAP, HEADER, 1175, RIGHT HAND, 313	
	24-13282-21	Clear	ENDCAP, HEADER, 1175, LEFT HAND, 204	
	24-13282-22	Dark Bronze	ENDCAP, HEADER, 1175, LEFT HAND, 313	
5	24-0011-13	Zinc	FHMS, 1/4-20 X 3/4", PHIL, ZN	
	24-0011-96		FHMS,1/4-20 X 3/4,PHIL	
6	12-8233		DOOR STOP ASSY JAMB MOUNTD-SPECIAL	
7	14-9078		BRACKET, DOOR STOP	
8	24-0019-15		WASHER,INT.1/4	
9	24-0021-14		HEX NUT, 1/4-20, ZN	
10	14-9079		DOOR STOP ASSY, TRACK MOUNTED - 1175	
11	24-0021-27		NUT, SQUARE, 1/4"-20, ZN	
12	24-0014-30		HHCS,#14 X 3/4 SELF DR TP	
13	24-9022		BRACKET, END CAP - LOWER	
14	14-11741		POWER SUPPLY, DS-150NA/U30	
15	24-0021-21		NUT, WHIZLOCK, 3/8-16, ZN	
16	24-14454		BRACKET, MOUNTING, FRONT, DS150	
17	24-11327		OPERATOR - DS-150 NA	
18	24-9027		IDLER TENSIONER BRKT (Assy is P/N 215990)	
19	24-0014-28		HHCS,3/8-16 X 2 3/4"	
20	24-0021-15		HEX JAM NUT 3/8"-16	
21	21-5990		IDLER BELT TENSIONER ASSY	
22	22-9026		WELDMENT, IDLER - 1175	
23	11-11701		IDLER PULLEY ASSEMBLY	
24	24-0431		RING, RETAINING	
25	22-9210		IDLER ASSY	
26	24-0019-05		1/4" EXTERNAL STAR WASHER	
27	24-0014-15		HHCS, 1/4-20 X 3/4, HWH, TRI-LOBE, ZN	
28	14-11871		BRACKET, BELT,1175	
29	14-11870		SPACER, BELT CLIP, 1175	
30	24-11493		CLIP, BELT	
31	24-11327		OPERATOR - DS-150 NA	
32	24-11329		BRACKET, MOUNTING, REAR, DS150	
33	14-0795		TIMING BELT 1/2" PITCH X 3/4" WIDE	
34	14-2279-05		PILE WEATHERING, BLK, .45 TALL, W/ ADHES	
35	24-4941-14		FHMS,PHIL,8-32 X 5/8" TYPE F	
	24-4941-20		FHMS,PHIL,8-32X5/8" TYPE F BK ZK	
36	14-9199		NAMEPLATE, ADHESIVE BACKED	

Header			
Item	Part	Finish/Sizes/Notes	Description
37	22-10522-03	Fail Safe	VON DUPRIN FAIL SEC ELE STRIKE SUB ASSY
	22-10522-04	Fail Secure	VON DUPRIN FAIL SAFE ELE STRIKE SUB ASSY
38	14-12104-10		BELT BRACKET, ELECTRIC LOCK ASSEMBLY
	14-12104-20		BELT BRACKET, ELECTRIC LOCK ASSEMBLY
39	14-14804		KIT, HANDY TERMINAL
40	14-8903-R		REBUILT HANDY TERMINAL ASSY
41	12-13881		ASSEMBLY, HARNESS, HANDY TERMINAL
42	14-13769		TAPE, DBL. SIDE, FOAM 1" X 2" .045THK
43	14-9038		BRACKET, CONNECTOR - HANDY TERMINAL
44	24-9442		TIE MOUNT ADHESIVE BACKED
45	14-1473-10		CABLE TIE, 4"
46	14-11837		HARNESS, HANDY TERMINAL U-30 78.75"L
47	24-11877		MAIN HARNESS, U30 CONTROL
48	12-10324		BREAKOUT JUMPER
49	14-11884-10		ROCKER SWITCH EXTENSION HARNESS 36"
	14-11884-20		ROCKER SWITCH EXTENSION HARNESS 72"
	14-11884-30		ROCKER SWITCH EXTENSION HARNESS 180"
50	14-14058		SUPPORT, ANTIRISE
51	24-13741	Bi-Part only	BRACKET, HEADER COVER, 1175
52	14-9710-01	Control Box and Cable	(1-SET) OPTEX HOLDING BEAM & CNTRL
	14-9710-03	Control Box	OPTEX CONTROL BOX ONLY OS-12C
53	14-8903-99		CABLE, HANDY TERMINAL

### SERVICE PARTS: FULL OPEN SIDELITE

Viewed from *Non-Break Out* Side

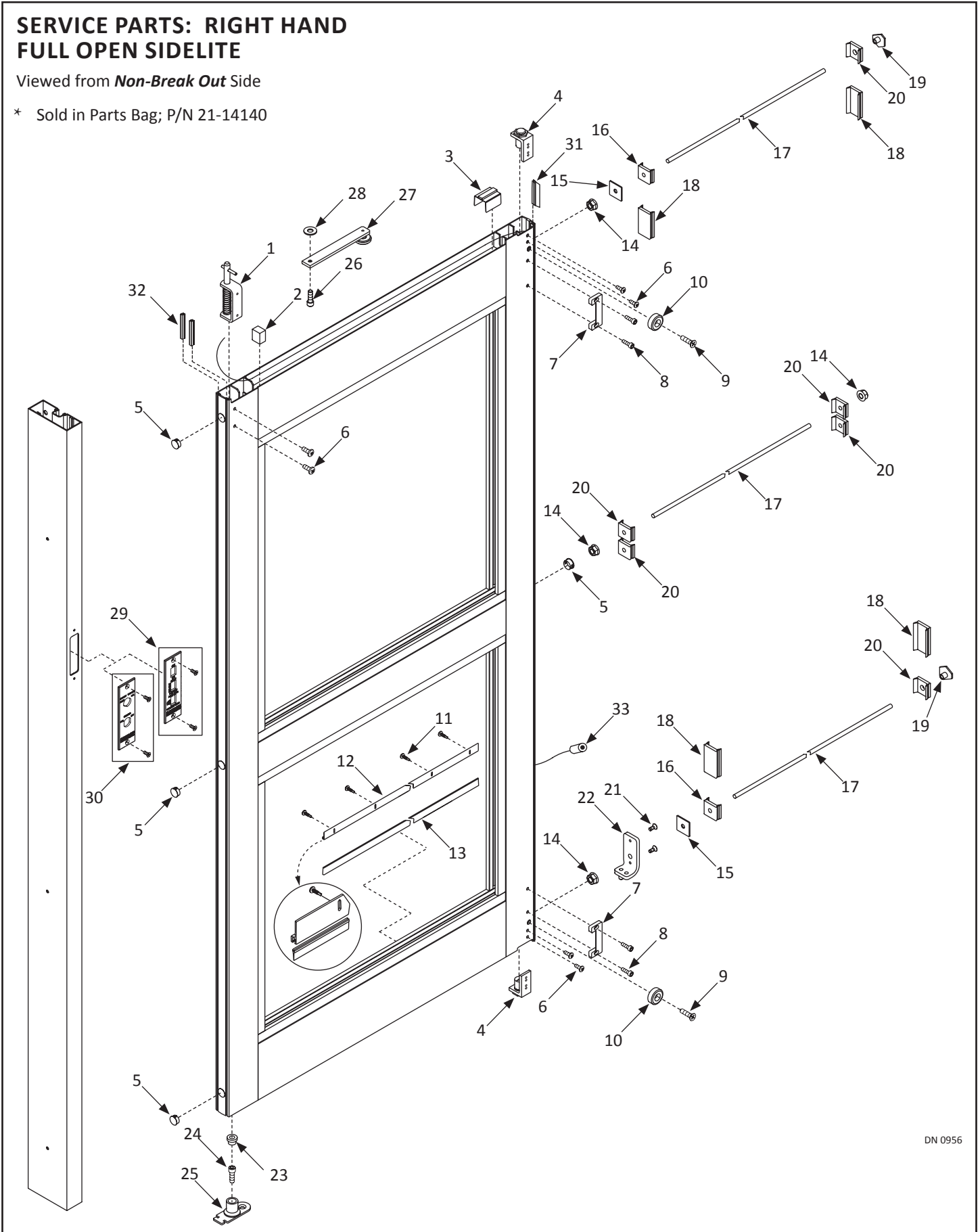


DN 0957

# SERVICE PARTS: RIGHT HAND FULL OPEN SIDELITE

Viewed from *Non-Break Out Side*

\* Sold in Parts Bag; P/N 21-14140

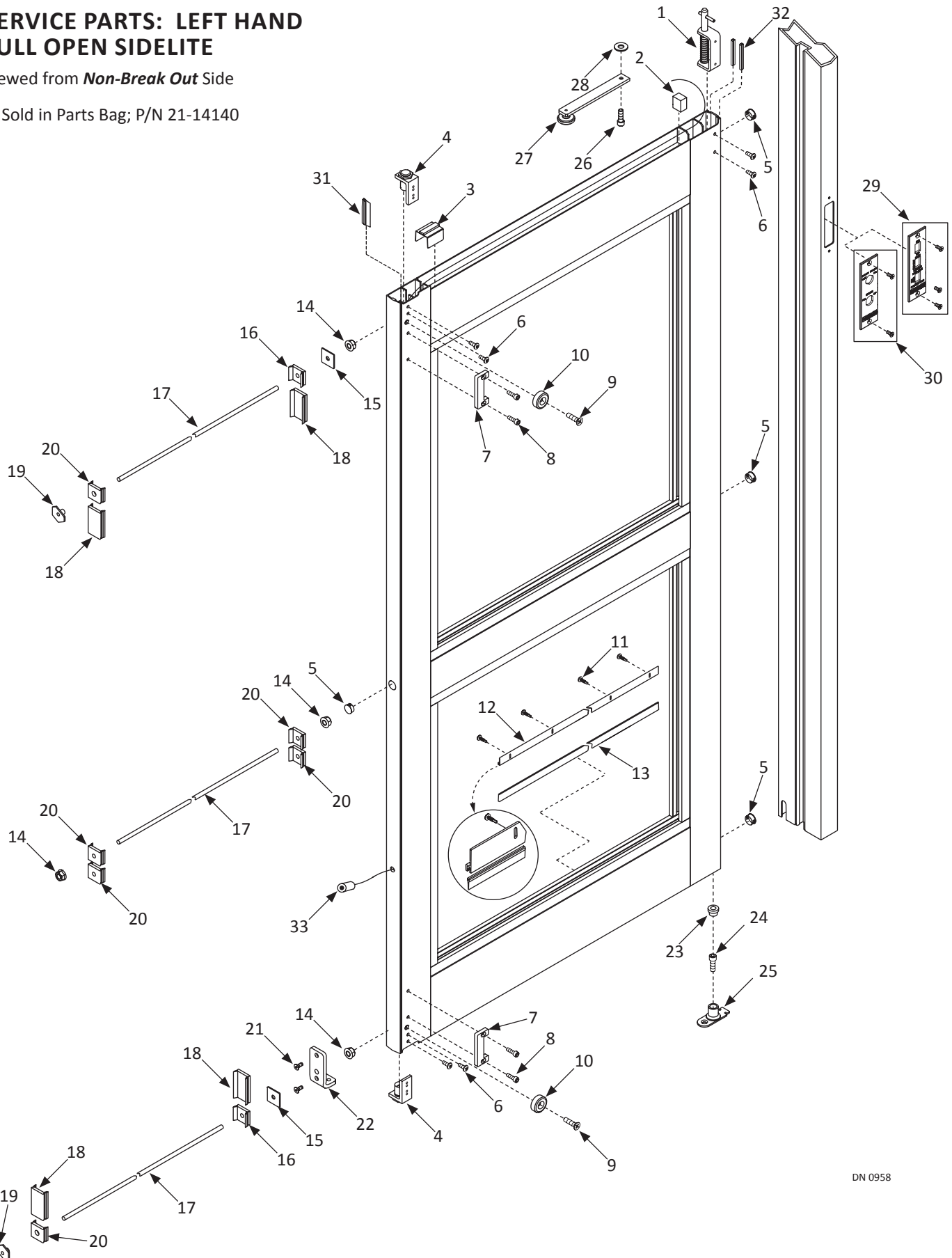


DN 0956

### SERVICE PARTS: LEFT HAND FULL OPEN SIDELITE

Viewed from *Non-Break Out* Side

\* Sold in Parts Bag; P/N 21-14140

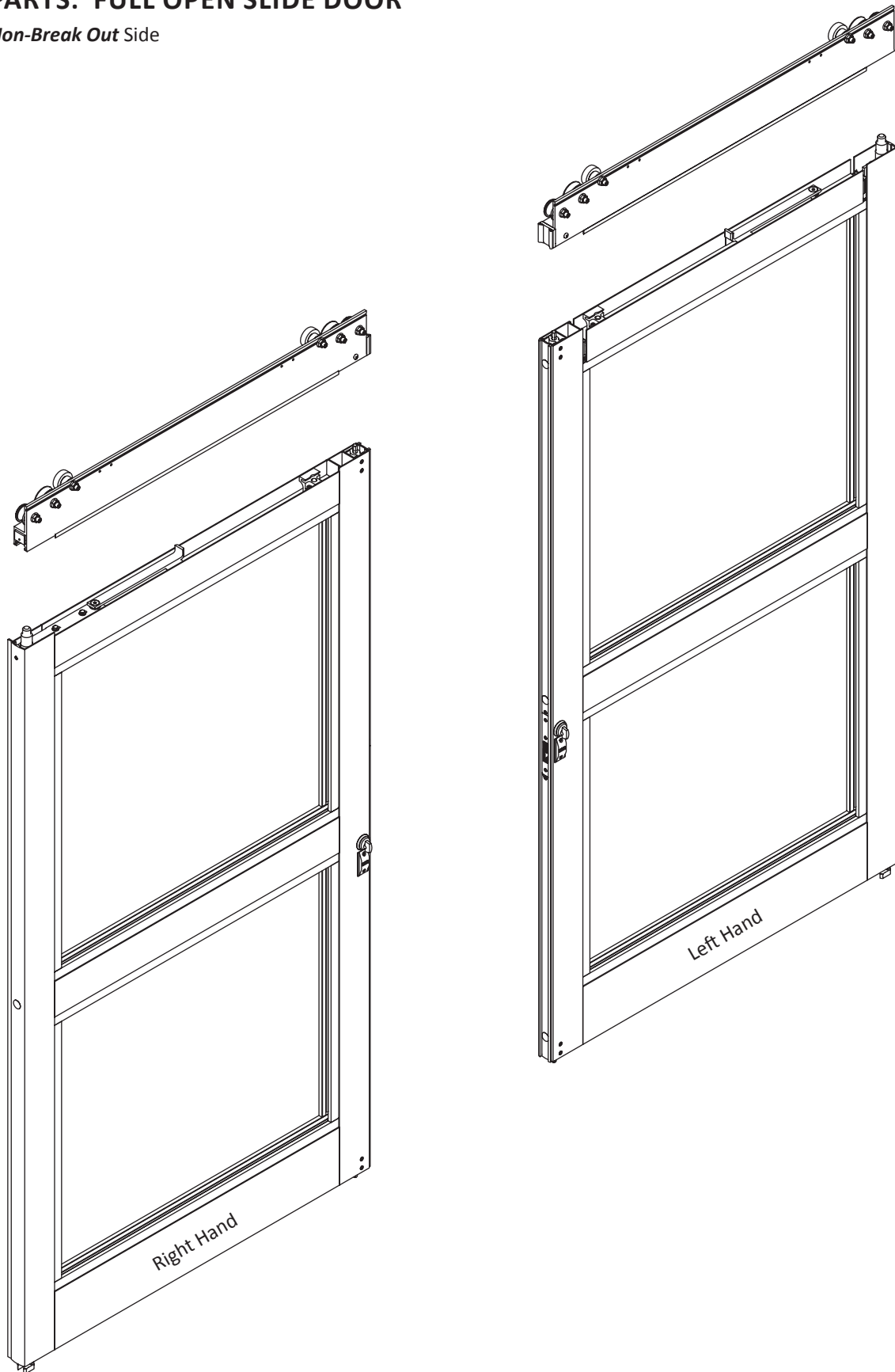


DN 0958

Full Open Sidelite			
Item	Part	Finish/Sizes/Notes	Description
1	21-9507		ASM, TOP PIVOT, 1175 SWING PANEL
2	24-14188-10		STIFFINER,STILE W/MUNTIN
3	11-9212		ASM.MAGNET BREAKOUT
4	12-9082		BALL DETENT PANIC, SWING PANEL
5	14-9511-04		PLUG, HOLE, .813 DIAMETER, BLK
6	24-0012-14		PHMS, #10-32 X .50 LG, PHL, ZINC
7	24-14043		INTERLOCK, FEMALE
8	24-0010-62		SHCS, #10-32 X 5/8", ZINC
9	24-4941-02		FHMS, 1/4-20 X 1", PHIL, TRILOBE, ZN
10	14-14034		PAD, WEAR
11	24-0013-03	Zinc	PHSMS, 6 X 1/2", PHIL, TEKS, ZN
	24-0013-04	Black Zinc	PHSMS, 6 X 1/2", PHIL, TEKS, BLK ZN
12	24-14187-01	Clear	BRUSH HOLDER, SWING PANEL, 204 FINISH
	24-14187-02	Dark Bronze	BRUSH HOLDER, SWING PANEL, 313 FINISH
13	14-3933-02	Vinyl	WEATHERING BLACK VINYL 1 IN FIN
14	24-0021-21		NUT, WHIZLOCK, 3/8-16, ZN
15	14-9225		BACKING PLATE, TIE ROD - DOOR ASSEMBLY
16	14-0984-01		CLIP, 0.386" HOLE
17	14-3624		THREADED ROD, 3/8"-16 - ZINC PLATED
18	14-14192		CLIP,RAIL,2.9L.
19	14-9279		OFFSET TEE NUT, 3/8"-16
20	14-0984-02		CLIP, 1/2" HOLE
21	22-3590-06		SCREW - PHILLPS FL HD W/VIBR 1/4-20 X 1
22	14-14038-10	RH	PIVOT, BOTTOM, SWING PANEL, RH
	14-14038-20	LH	PIVOT, BOTTOM, SWING PANEL, LH
23	24-2458		BOTTOM PIVOT BUSHING, SWING PANEL
24	24-0010-09		SHCS, 1/4-20 X 3/4"
25	24-14039		PIVOT, FLOOR, SWING PANEL
26	22-3590-06		SCREW - PHILLPS FL HD W/VIBR 1/4-20 X 1
27	21-8850		LIMIT ARM ASSY SWING PANEL
28	24-0017-50		WASHER, .255 IDX.900 ODX.125 THK, NYLON
29	14-11875		SWITCH - ROCKER - U30
	14-11875-03		SWITCH - ROCKER - U30, NABCO
	14-11875-04		SWITCH - ROCKER - U30, PORTA SERVICE
30	14-11876-02		DUAL KEY SW. GYROTECH LOGO, 5.5L.
	14-11876-03		DUAL KEY SW. PORTA SERVICE LOGO, 5.5L.
31	14-5592-01	Gray	WEATHER STRIP - 9/16 IN VINYL FIN, GRAY
	14-5592-02	Black	WEATHER STRIP - 9/16 IN VINYL FIN, BLACK
32	14-2279-09	Black	PILE WEATHERING, BLK, .45 TALL W/ FIN
33	14-9710-04		(1-SET) HOLD BEAM WITH EXTENSION CABLE

### SERVICE PARTS: FULL OPEN SLIDE DOOR

Viewed from *Non-Break Out* Side



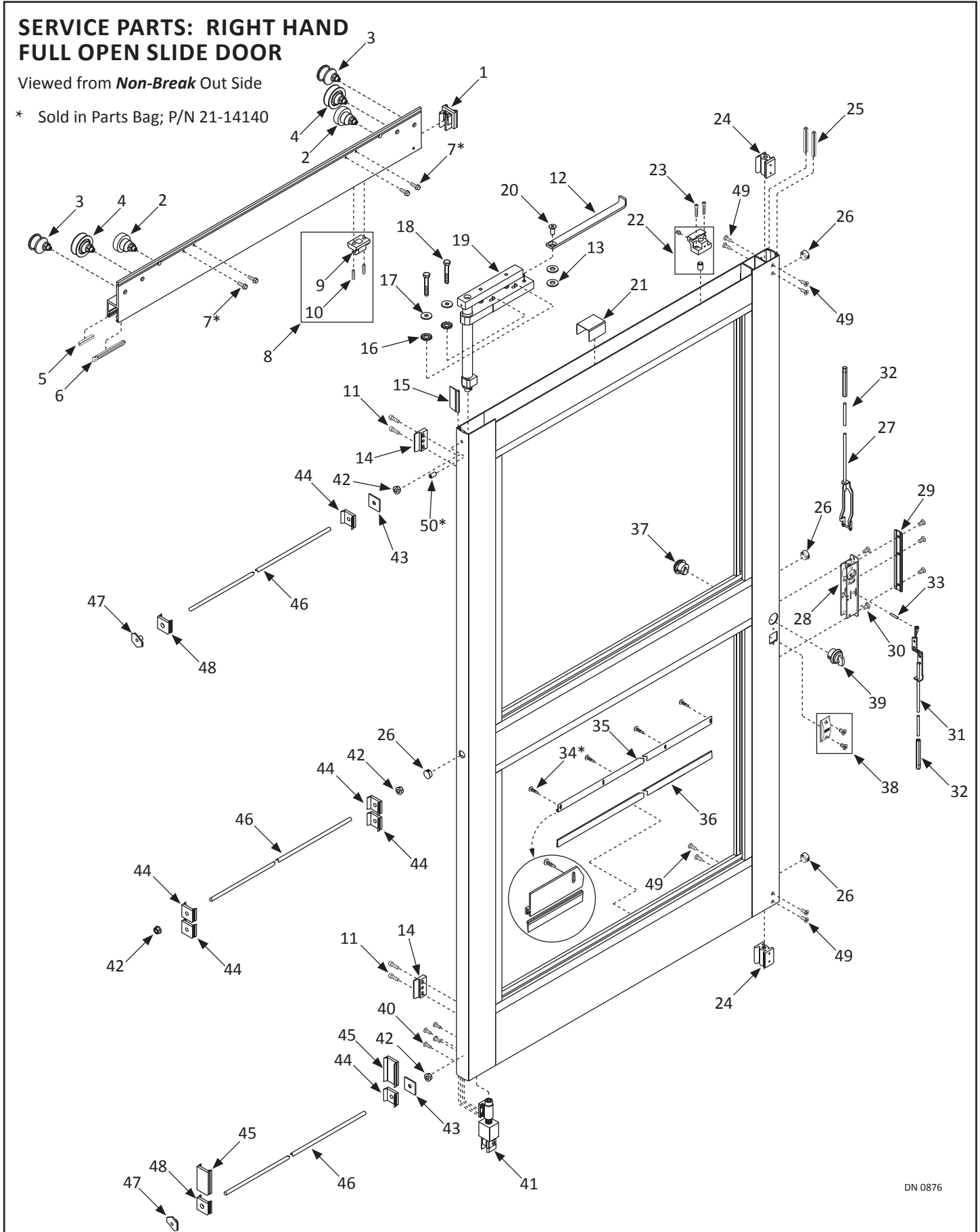
DN 0879



# SERVICE PARTS: RIGHT HAND FULL OPEN SLIDE DOOR

Viewed from **Non-Break** Out Side

\* Sold in Parts Bag; P/N 21-14140

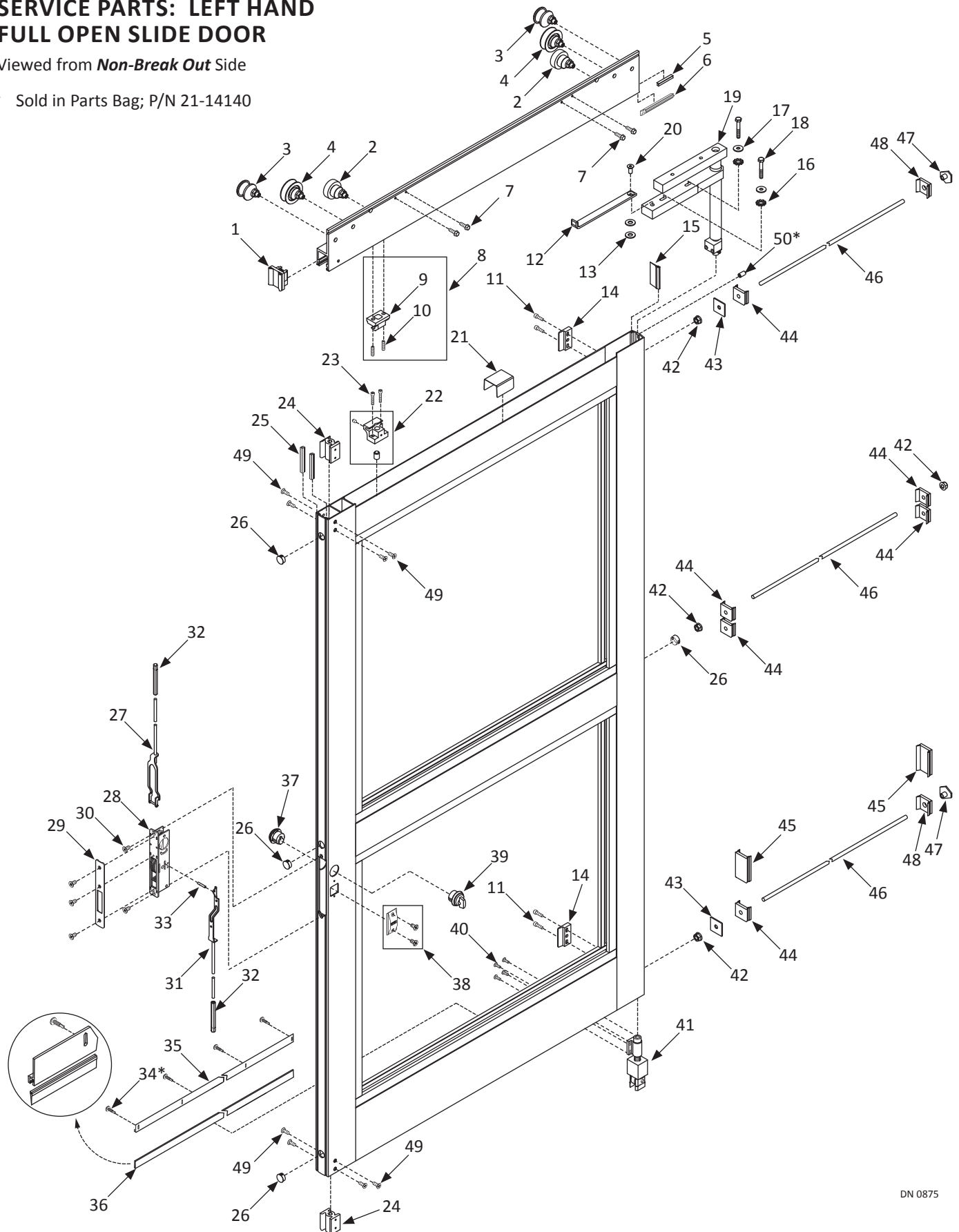


DN 0876

# SERVICE PARTS: LEFT HAND FULL OPEN SLIDE DOOR

Viewed from *Non-Break Out* Side

\* Sold in Parts Bag; P/N 21-14140



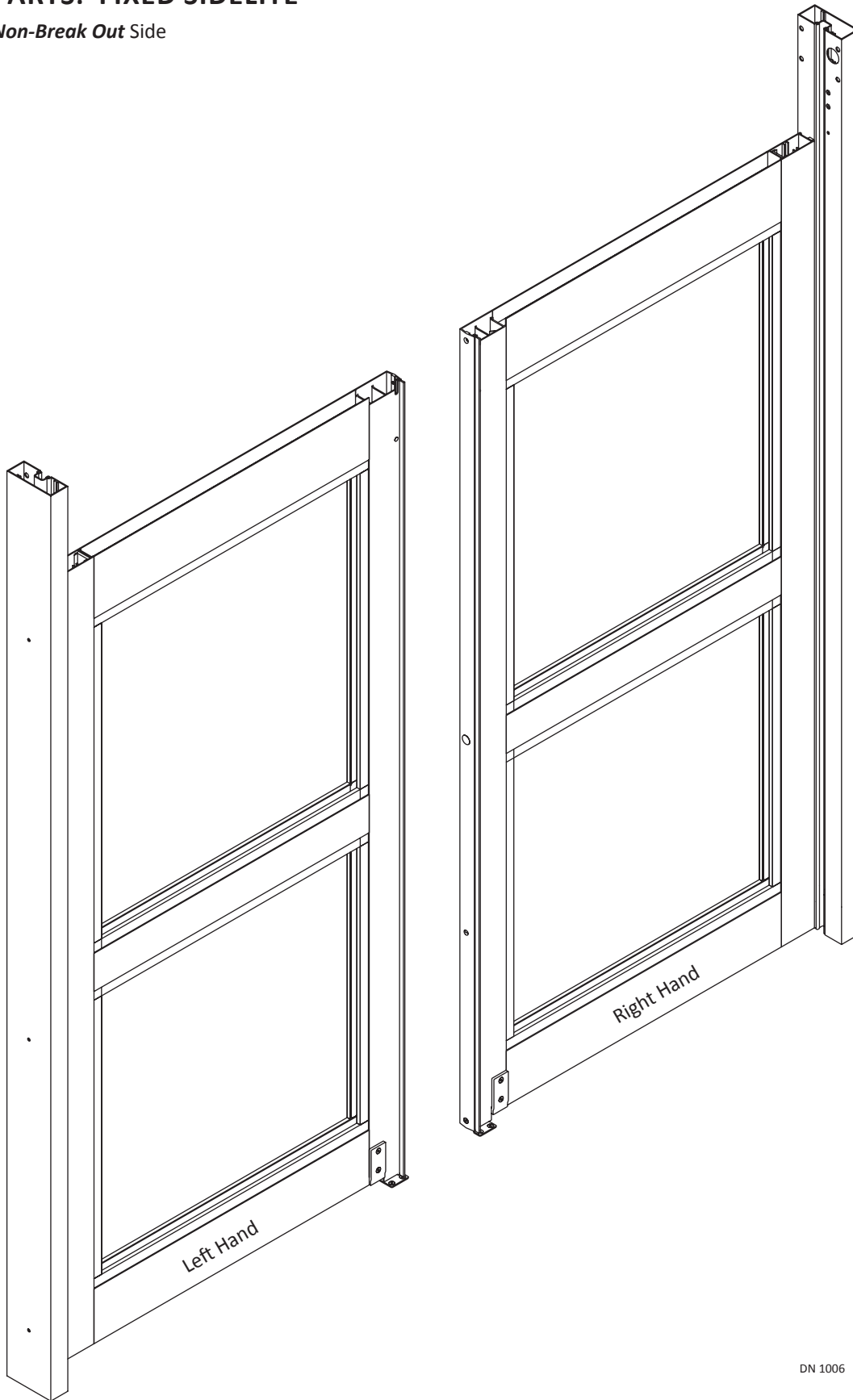
DN 0875

Full Open Slide Door			
Item	Part	Finish/Sizes/Notes	Description
1	21-14030		ASM,ENDCAP CARRIER
2	21-14035		ASM,ANTI-RISE,HURR
3	21-14040		ASM,RETAINER, CARRIER ECCENTRIC
4	11-10733		HANGER ROLLER W/URETHANE ASSY, GT1175
5	14-2279-04		PILE WEATHERING, BLK, .20 TALL, CARRIER
6	24-9094-01	Clear	INTERFACE LEG - 204
	24-9094-02	Dark Bronze	INTERFACE LEG - 313
7	24-0014-15		HHCS, 1/4-20 X 3/4, HWH, TRI-LOBE, ZN
8	12-14478		PANIC CATCH UPPER PART,ASSY,
9	24-9483		PANIC CATCH, UPPER PART
10	24-0016-30		SHSS, 5/16-18 X 1.25", CUP
11	24-0010-62		SHCS, #10-32 X 5/8", ZINC
12	21-8419		LIMIT ARM ASSY, MED STILES
13	24-0017-02		WASHER, 7/16 ID X 1 OD X .083 THK
14	12-14195		ASM, INTERLOCK, MALE, HURRICANE
15	14-5592-01	Gray	WEATHER STRIP - 9/16 IN VINYL FIN, GRAY
	14-5592-02	Black	WEATHER STRIP - 9/16 IN VINYL FIN, BLACK
16	24-0019-05		1/4" EXTERNAL STAR WASHER
17	24-0017-04		WASHER, 1/4 ID X 9/16 OD X .049 THK, STL
18	24-0014-12		HHCS,1/4-20 X 1 3/4"
19	24-12002-50		CARRIER PVT ASM - HURR
20	22-3590-04		SCREW - SOCKET FL HD W-VIBR 7/16-14 X 1
21	14-8447		LIMIT ARM SUPPORT
22	21-3468-99		PANIC CATCH RELEASE ASSY, MODEL 1100
23	24-0010-16		SHCS, 1/4-20 X 1 1/4"
24	14-14060		BLOCK GUIDE,LOCKROD
25	14-8326-05		PILE WEATHERING, BLK - LEAD EDGE NO ADH.
26	14-9511-04		PLUG, HOLE, .813 DIAMETER, BLK
27	22-10256		LOCK ROD, SUB ASSY. 7 FT LENGTHS
28	24-0564		HOOKBOLT, DEADLOCK CR LAURENCE
29	24-0565-11	Clear	LOCK, COVER W/LATCH CUTOUT 204
	24-0565-12	Dark Bronze	LOCK, COVER W/LATCH CUTOUT 313
30	24-0011-72		FHMS,10-24 X 3/8", PHIL, UND
31	22-4412		HEADER LOCK ROD ASSY LESS SCREW PACK
32	14-14062		LOCKROD, 1/4"-20
33	24-0020-17		PIN, ROLL 5/32 DIA X 7/8 LONG
34	24-0013-03	Zinc	PHSMS, 6 X 1/2", PHIL, TEKS, ZN
	24-0013-04	Black Zinc	PHSMS, 6 X 1/2", PHIL, TEKS, BLK ZN
35	24-14186-01	Clear	BRUSH HOLDER, DOOR, FO, 204 FINISH
	24-14186-02	Dark Bronze	BRUSH HOLDER, DOOR, FO, 313 FINISH
36	14-4899-100	Brush	BRUSH, .007 NYLON BRISTLE, 1.00 OAH
	22-4495-01	Silver	KEYED ALIKE LOCK CYLINDERS SILVER

Full Open Slide Door			
Item	Part	Finish/Sizes/Notes	Description
37	22-4495-02	Bronze	KEYED ALIKE LOCK CYLINDERS BRONZE
38	12-1400-01	Hook Bolt Extends "Up"	EXIT INDICATOR,INVERTED,CLEAR FINISH
	12-1400-02	Hook Bolt Extends "Up"	EXIT INDICATOR,INVERTED,BRONZE FINISH
	12-1400-03	Hook Bolt Extends "Down"	EXIT INDICATOR,STANDARD,CLEAR FINISH
	12-1400-04	Hook Bolt Extends "Down"	EXIT INDICATOR,STANDARD,BRONZE FINISH
39	22-0090-01	Silver	CYLINDER, THUMB TURN SILVER
	22-0090-02	Bronze	CYLINDER, THUMB TURN BRONZE
40	24-0012-14		PHMS, #10-32 X .50 LG, PHL, ZINC
41	21-14045		ASM.BTM GUIDE FO
42	24-0021-21		NUT, WHIZLOCK, 3/8-16, ZN
43	14-9225		BACKING PLATE, TIE ROD - DOOR ASSEMBLY
44	14-0984-01		CLIP, 0.386" HOLE
45	14-14192		CLIP,RAIL,2.9L.
46	14-3624		THREADED ROD, 3/8"-16 - ZINC PLATED
47	14-9279		OFFSET TEE NUT, 3/8"-16
48	14-0984-02		CLIP, 1/2" HOLE
49	24-0011-131		FHMS, 10-32X1/2", PHIL, TYP 23, UND, ZN
50	24-0016-42		SCREW,SET 5/16-24 X 5/8, CUT POINT

### SERVICE PARTS: FIXED SIDELITE

Viewed from *Non-Break Out* Side

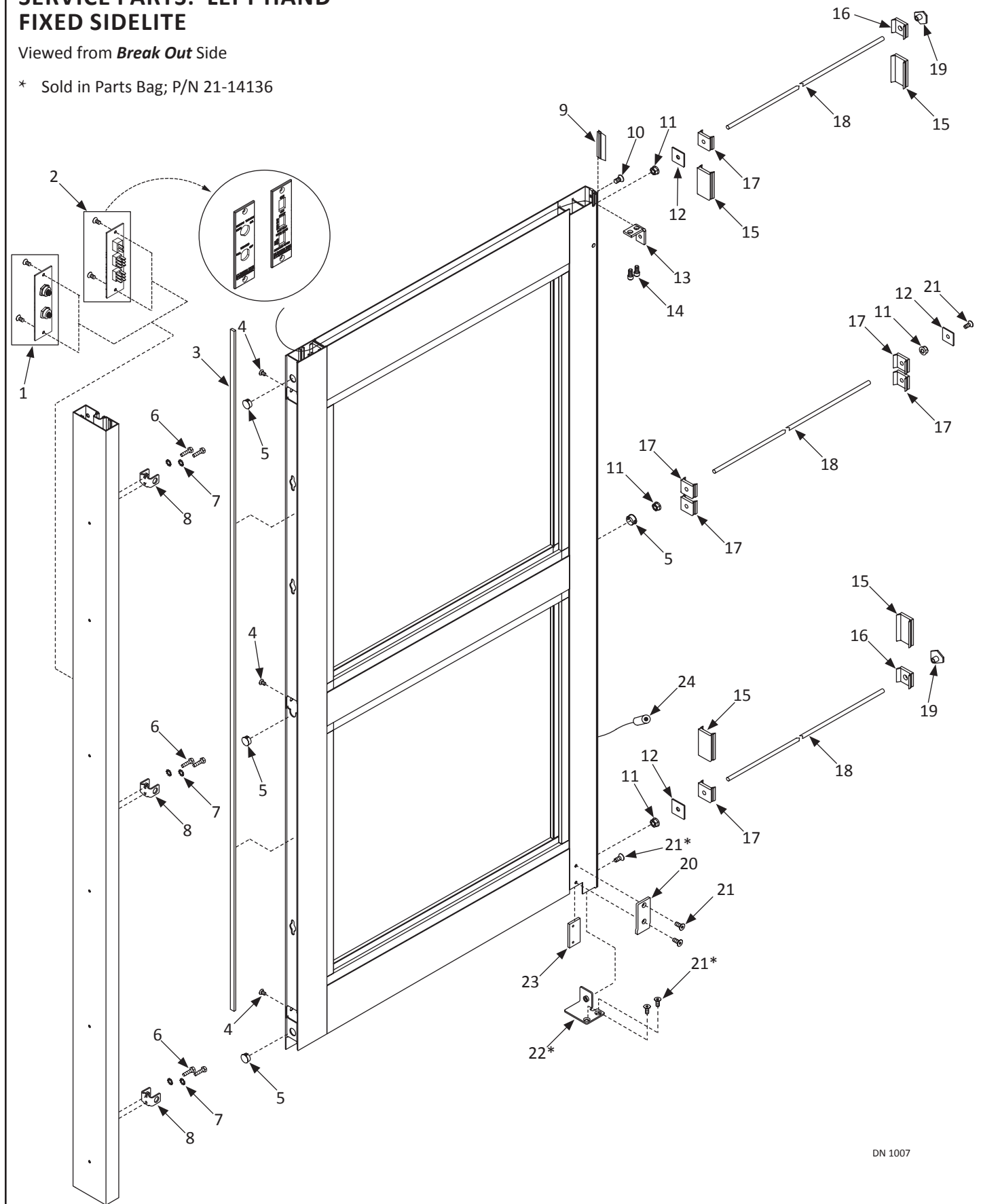


DN 1006

# SERVICE PARTS: LEFT HAND FIXED SIDELITE

Viewed from **Break Out** Side

\* Sold in Parts Bag; P/N 21-14136

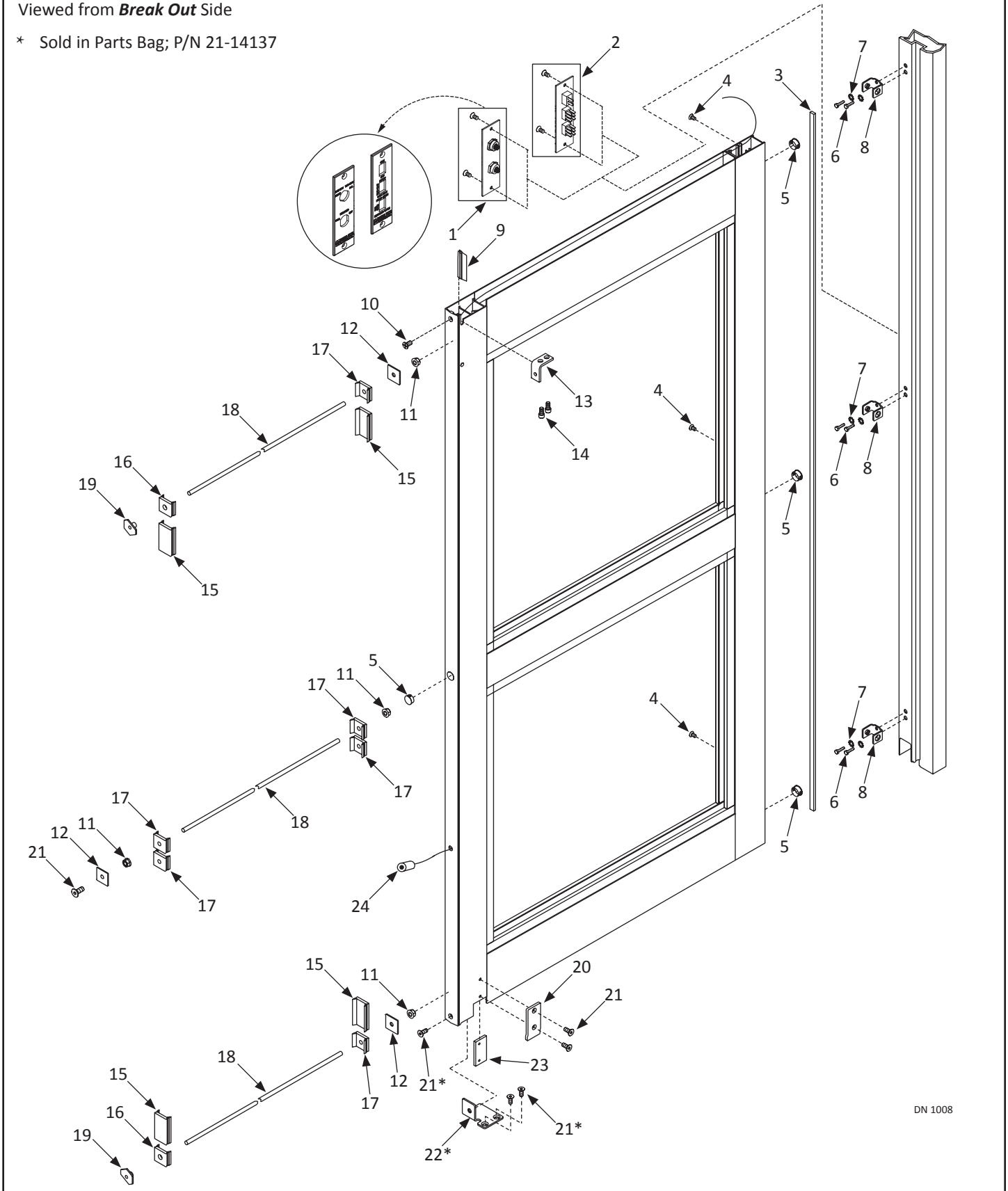


DN 1007

# SERVICE PARTS: RIGHT HAND FIXED SIDELITE

Viewed from *Break Out* Side

\* Sold in Parts Bag; P/N 21-14137



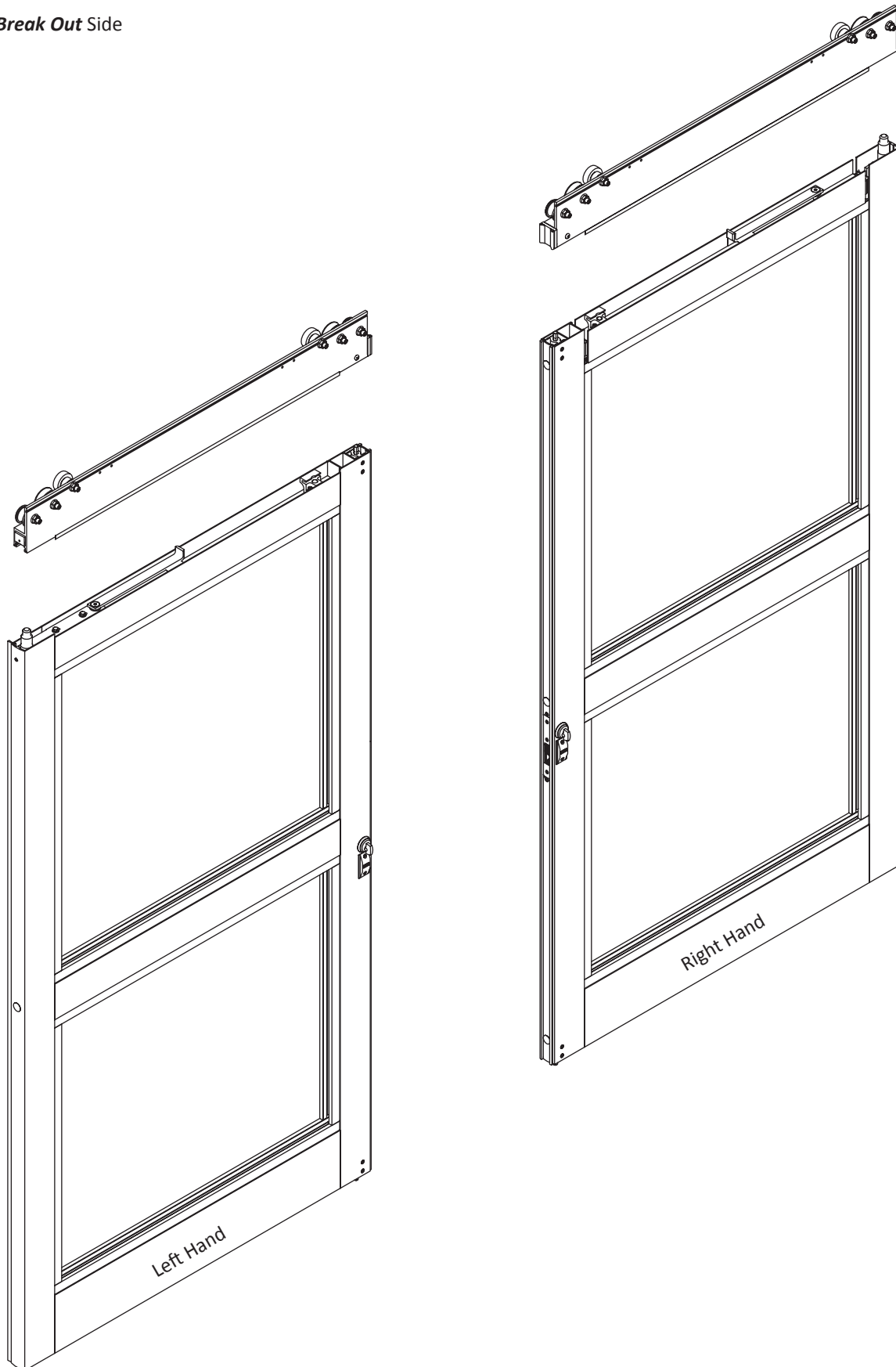
DN 1008

Fixed Sidelite			
Item	Part	Finish/Sizes/Notes	Description
	14-11876-02	Gyrotech	DUAL KEY SW. GYROTECH LOGO, 5.5L.
1	14-11876-03	Porta Service	DUAL KEY SW. PORTA SERVICE LOGO, 5.5L.
	14-11875	Blank Plate	SWITCH - ROCKER - U30
2	14-11875-03	Nabco	SWITCH - ROCKER - U30, NABCO
	14-11875-04	Porta Service	SWITCH - ROCKER - U30, PORTA SERVICE
	14-4899-60		BRUSH, WTHRING-.004, BRISTENYLON A.56, B
3	24-0011-70		FHMS, 1/4-20 X 7/16", PHIL, UND, ZN
4	14-9511-04		PLUG, HOLE, .813 DIAMETER, BLK
5	24-0014-01		HHCS, 1/4-20 X 1", ZN
6	24-0019-05		1/4" EXTERNAL STAR WASHER
7	14-14056		BRACKET, JAMB TUBE, FS HURRICANE
8	14-5592-01	Gray	WEATHER STRIP - 9/16 IN VINYL FIN, GRAY
9	14-5592-02	Black	WEATHER STRIP - 9/16 IN VINYL FIN, BLACK
	24-0011-12	Zinc	FHMS, 1/4-20 X 1/2", PHIL, ZN
10	24-0011-76	Black Zinc	FHMS, 1/4-20 X 1/2", PHIL, BLK OX
	24-0021-21		NUT, WHIZLOCK, 3/8-16, ZN
11	14-9225		BACKING PLATE, TIE ROD - DOOR ASSEMBLY
12	14-11420		BRACKET, MOUNTING
13	24-0010-05		SHCS, 1/4-20 X 1/2"
14	14-14192		CLIP, RAIL, 2.9L.
15	14-0984-02		CLIP, 1/2" HOLE
16	14-0984-01		CLIP, 0.386" HOLE
17	14-3624		THREADED ROD, 3/8"-16 - ZINC PLATED
18	14-9279		OFFSET TEE NUT, 3/8"-16
19	14-14053		PLATE, COVER, FIXED SIDELITE, HURRICANE
20	24-0011-144		FHCS, 1/4"-20 X 5/8, SOC, ZINC
21	14-14057-10	RH	BRACKET, THRESHOLD, RH, FS HURRICANE
22	14-14057-20	LH	BRACKET, THRESHOLD, LH, FS HURRICANE
	12-14198		ASM, NUT PLATE, COVER, FS, HURRICANE
23	14-9710-04		(1-SET) HOLD BEAM WITH EXTENSION CABLE
24			



### SERVICE PARTS: FIXED SIDELITE SLIDE DOOR

Viewed from *Break Out* Side

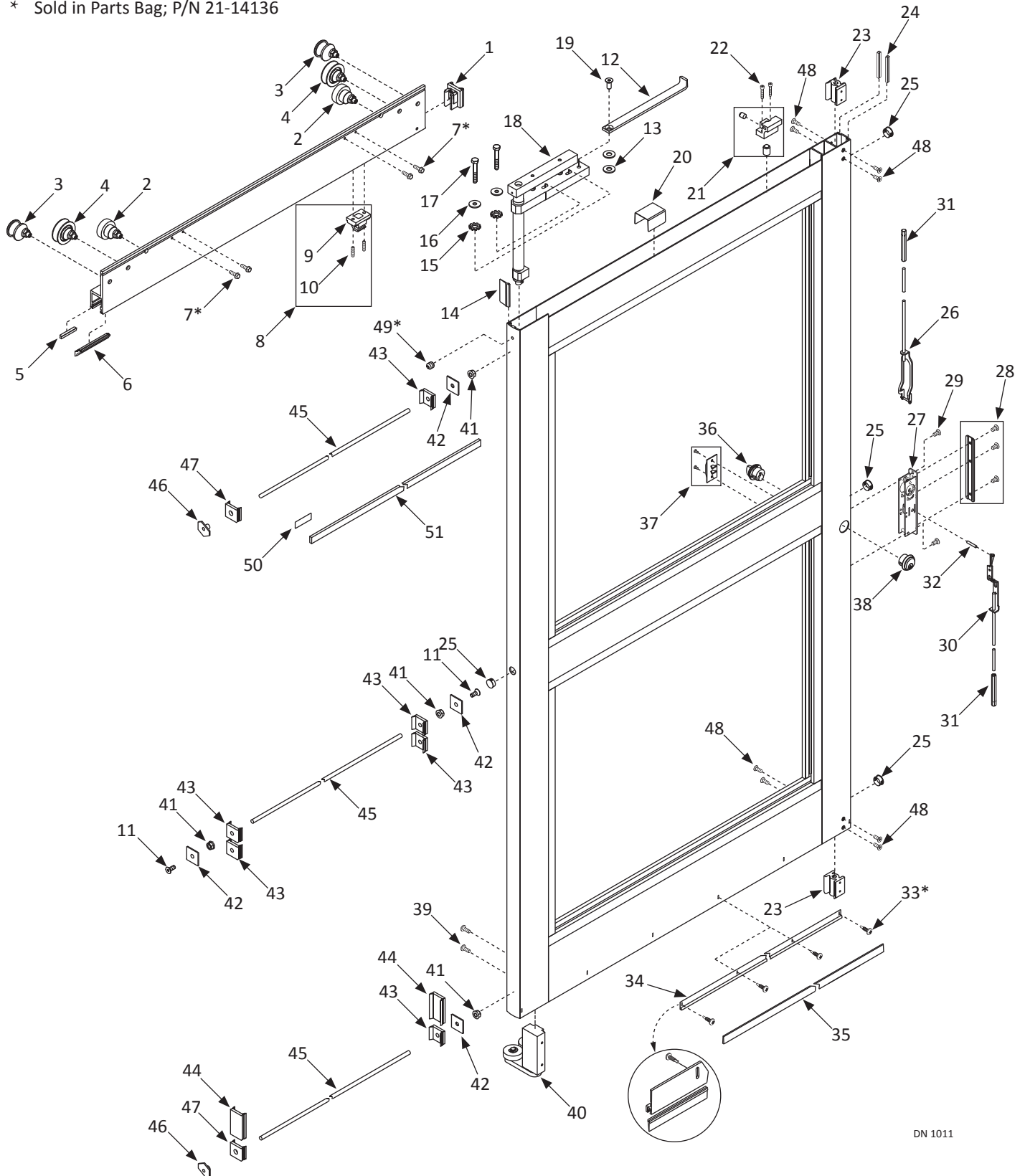


DN 1009

# SERVICE PARTS: LEFT HAND FIXED SIDELITE SLIDE DOOR

Viewed from Break Out Side

\* Sold in Parts Bag; P/N 21-14136

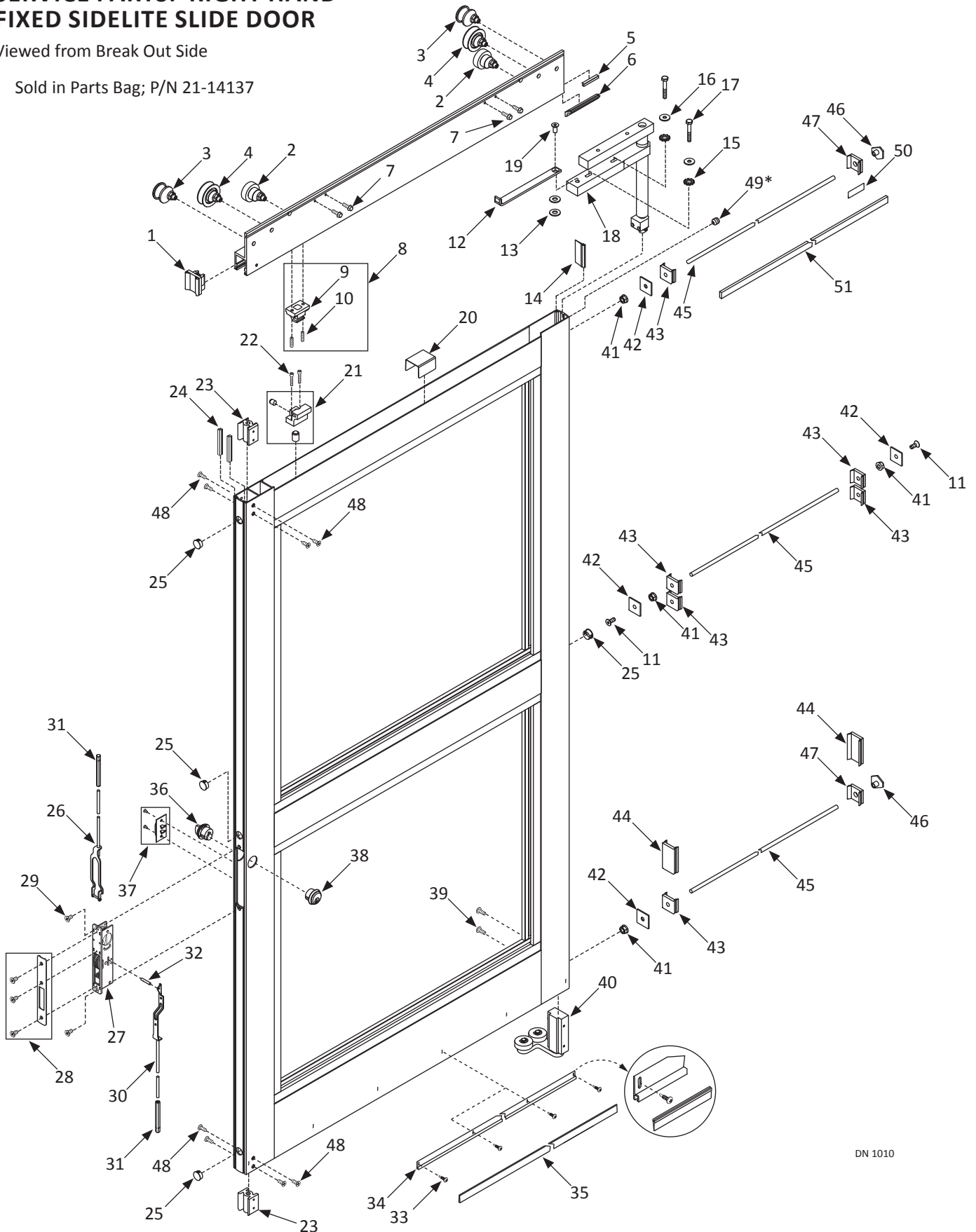


DN 1011

# SERVICE PARTS: RIGHT HAND FIXED SIDELITE SLIDE DOOR

Viewed from Break Out Side

\* Sold in Parts Bag; P/N 21-14137



DN 1010

Fixed Sidelite Slide Door			
Part	Finish/Sizes/Notes		Description
1	21-14030		ASM,ENDCAP CARRIER
2	21-14035		ASM,ANTI-RISE,HURR
3	21-14040		ASM,RETAINER, CARRIER ECCENTRIC
4	11-10733		HANGER ROLLER W/URETHANE ASSY, GT1175
5	14-2279-04		PILE WEATHERING, BLK, .20 TALL, CARRIER
6	24-9094-01	Clear	INTERFACE LEG - 204
	24-9094-02	Dark Bronze	INTERFACE LEG - 313
7	24-0014-15		HHCS, 1/4-20 X 3/4, HWH, TRI-LOBE, ZN
8	12-14478		PANIC CATCH UPPER PART,ASSY,
9	24-9483		PANIC CATCH, UPPER PART
10	24-0016-30		SHSS, 5/16-18 X 1.25", CUP
11	24-4941-26		SCREW, 3/8" X 1", HWH, SMS, TYPE A, ZN
12	21-8419		LIMIT ARM ASSY, MED STILES
13	24-0017-02		WASHER, 7/16 ID X 1 OD X .083 THK
14	14-5592-01	Gray	WEATHER STRIP - 9/16 IN VINYL FIN, GRAY
	14-5592-02	Black	WEATHER STRIP - 9/16 IN VINYL FIN, BLACK
15	24-0019-05		1/4" EXTERNAL STAR WASHER
16	24-0017-04		WASHER, 1/4 ID X 9/16 OD X .049 THK, STL
17	24-0014-12		HHCS,1/4-20 X 1 3/4"
18	24-12002-50		CARRIER PVT ASM - HURR
19	22-3590-0		Error no match found
20	14-8447		LIMIT ARM SUPPORT
21	21-3468-99		PANIC CATCH RELEASE ASSY, MODEL 1100
22	24-0010-16		SHCS, 1/4-20 X 1 1/4"
23	14-14060		BLOCK GUIDE,LOCKROD
24	14-8326-05		PILE WEATHERING, BLK - LEAD EDGE NO ADH.
25	14-9511-04		PLUG, HOLE, .813 DIAMETER, BLK
26	22-10256	Call Customer Service	LOCK ROD, SUB ASSY. 7 FT LENGTHS
27	24-0564		HOOKBOLT, DEADLOCK CR LAURENCE
28	24-0565-11	Clear	LOCK, COVER W/LATCH CUTOUT 204
	24-0565-12	Dark Bronze	LOCK, COVER W/LATCH CUTOUT 313
29	24-0011-72		FHMS,10-24 X 3/8", PHIL, UND
30	22-4412	Call Customer Service	HEADER LOCK ROD ASSY LESS SCREW PACK
31	14-14062		LOCKROD, 1/4"-20
32	24-0020-17		PIN, ROLL 5/32 DIA X 7/8 LONG
33	24-0013-03	Zinc	PHSMS, 6 X 1/2", PHIL, TEKS, ZN
	24-0013-04	Black Zinc	PHSMS, 6 X 1/2", PHIL, TEKS, BLK ZN
34	24-14186-01	Clear	BRUSH HOLDER, DOOR, FO, 204 FINISH
	24-14186-02	Dark Bronze	BRUSH HOLDER, DOOR, FO, 313 FINISH
35	14-4899-100	Brush	BRUSH, .007 NYLON BRISTLE, 1.00 OAH
36	22-4495-01	Silver	KEYED ALIKE LOCK CYLINDERS SILVER
	22-4495-02	Bronze	KEYED ALIKE LOCK CYLINDERS BRONZE

Fixed Sidelite Slide Door			
Part	Finish/Sizes/Notes	Description	
37	12-1400-01	Hook Bolt Extends "Up"	EXIT INDICATOR,INVERTED,CLEAR FINISH
	12-1400-02	Hook Bolt Extends "Up"	EXIT INDICATOR,INVERTED,BRONZE FINISH
	12-1400-03	Hook Bolt Extends "Down"	EXIT INDICATOR,STANDARD,CLEAR FINISH
	12-1400-04	Hook Bolt Extends "Down"	EXIT INDICATOR,STANDARD,BRONZE FINISH
38	22-0090-01	Silver	CYLINDER, THUMB TURN SILVER
	22-0090-02	Bronze	CYLINDER, THUMB TURN BRONZE
39	24-0012-14		PHMS, #10-32 X .50 LG, PHL, ZINC
40	21-14050-10	Right Hand	ASM, LOWER PIVOT, RH, FS, HURRICANE
	21-14050-20	Left Hand	ASM, LOWER PIVOT, LH, FS, HURRICANE
41	24-0021-21		NUT, WHIZLOCK, 3/8-16, ZN
42	14-9225		BACKING PLATE, TIE ROD - DOOR ASSEMBLY
43	14-0984-01		CLIP, 0.386" HOLE
44	14-14192		CLIP,RAIL,2.9L.
45	14-3624		THREADED ROD, 3/8"-16 - ZINC PLATED
46	14-9279		OFFSET TEE NUT, 3/8"-16
47	14-0984-02		CLIP, 1/2" HOLE
48	24-0011-131		FHMS, 10-32X1/2", PHIL, TYP 23, UND, ZN
49	24-0016-42		SCREW,SET 5/16-24 X 5/8, CUT POINT
50	14-12948		MAGNET WEDGING STRIP
51	14-8413-02		FLEXIBLE MAGNETIC STRIP