



GT2100 Full Open no Track Manual Slide Door
Quick Set-Up Parts Guide
P/N C-00100 Rev 8-18-16

Nabco Entrances Inc. S82 W18717 Gemini Drive Muskego, Wisconsin 53150
Phone: (877) 622-2694 Fax: (888) 679-3319 www.nabcoentrances.com

*Associated Manuals Part Numbers: GT 2100 Manual Slider Installation Manual (P/N 15-10791)
Manual Slide Door Owner’s Manual (P/N C-00189) for Decal Installation
NABCO Price Book” for Sensors, Switches, and Accessories (P/N 16-9244-30)*

Table of Contents

SECTION 1: INSTALL FRAME 2

SECTION 2: INSTALL FIXED SIDELITE PANEL 2

SECTION 3: INSTALL THE SLIDE DOOR 2

SECTION 4: ADJUSTMENTS 2

SERVICE PARTS: HEADER 4

SERVICE PARTS: FULL OPEN SIDELITE 5

SERVICE PARTS: RIGHT HAND FULL OPEN SIDELITE 6

SERVICE PARTS: LEFT HAND FULL OPEN SIDELITE 7

SERVICE PARTS: SLIDE DOOR 9

SERVICE PARTS: RIGHT HAND SLIDE DOOR 10

SERVICE PARTS: LEFT HAND SLIDE DOOR 11

SECTION 1: Install Frame

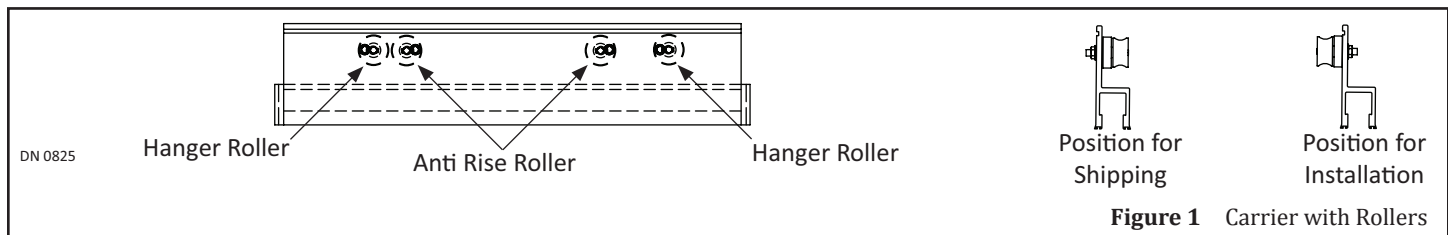
1. Go to the non-breakout side of rough opening. Place Header on a flat surface with the removable cover facing up.
2. Refer to the instruction sticker located on each Jamb Tube to properly orientate Jamb Tubes.
3. Remove Cover from Header. Remove Parts boxes and/or Parts bags from inside Header. Set aside.
4. Secure Frame to Rough Opening with 1/4 inch diameter anchors or 3/8 inch threaded rods, with a maximum 48 inches on center for the Header and Jamb Tubes (First anchor maximum is 36 inches from each end of the Header).

SECTION 2: Install Fixed Sidelite Panel

1. Center and butt the Bottom Pivot Assembly up against the inside, side of the Pivot Jamb Tube so the Bottom Bushing is on the Breakout side of opening.
2. With a 1/4 inch Masonry drill bit, drill through each screw hole at least 1-1/2 inches deep. Remove the Bottom Pivot.
3. Insert (1) #16 Hi-Red Anchor into each drilled hole. Replace the Bottom Pivot.
4. Permanently secure the Bottom Pivot to the Floor by screwing (1) #14 x 1-1/2 inch Phillips Head Screws into the #16 Hi-Red Anchors. Cap the Bottom Pivot Barrel with Bushing.
5. Insert the Pivot Pin (located at the bottom of the Pivot Stile within the Sidelite Panel) into the Bottom Pivot Bushing.
6. Push the Retracting Pin (located at the top of the Pivot Stile within the Sidelite Panel) down until it is aligned with the Retracting Pivot Pin hole (located at the bottom of Header). Let go of the Retracting Pin so it can snap into hole. It may be necessary to lift up the Retracting Pin with a screwdriver so it can fully engage the hole.
7. Fully open and close the Sidelite Panel to check for obstructions. If deemed necessary, adjust the Sidelite Panel by adding or removing (1-3) Washers from the Bottom Pivot.
8. Drill (1) hole at the bottom of Header for the Flush Bolt (located at the top of Strike Stile) to lock into.
9. Secure the Bottom Guide to the bottom of Strike Stile with (2) 1/4" Star Washers and (2) 1/4 - 20 x 3/4" Hex Cap Screws.

SECTION 3: Install the Slide Door

1. Cover the Sidelite Panel with cardboard on the Breakout side.
2. Remove each Roller located at the front of Carrier. Refer to the instruction sticker to reinstall each Roller to the back of Carrier. Ensure each Roller is horizontally aligned to each other. Please see Figure 1.



3. Slightly tilt the Slide door to make it easier for the (4) Rollers to 'catch' onto the track and to insert the Bottom Guide into the Pivot Stile of Slide door.
4. Adjust Slide Door according to Section "4 Adjustments".

SECTION 4: Adjustments

4.1 Adjust Height on Slide Door

CAUTION

Do Not rotate the stud counter-clockwise. Doing so will unthread the Axle from the Hanger Roller assembly.

1. Measure the gap between the door and the floor. The gap must be between 3/16" to 7/16" (3/8" nominal).
2. Loosen each Hanger Roller Nut. It is recommended to adjust the (2) Hanger Rollers located at each end of door first.
3. Turn each axle clockwise to raise or lower the Sliding door. Retighten each Hanger Roller nut. Do not overtighten.
4. Loosen each Anti-Rise Roller nut. Turn each axle clockwise until each Anti-Rise Roller almost makes contact with the top of Roller Track. Gap should be about the same thickness of a credit card. Retighten each Anti-Rise Roller nut. Do not overtighten.

4.2 Adjust Preload on Slide Door

CAUTION

Glass must be installed first before adjusting Preload on Slide Door.

CAUTION

When a Preload Block is shifted, it will be necessary to gently tap on one end of the Interface Leg (located inside the Carrier) until it is properly recentered.

1. Support the weight of sliding door. Breakout sliding door approximately 75 degrees. Check for door sag.
2. Go to the Preload Block located inside the Top Rail. Loosen (2) Locking Bolts.
3. Go to the back edge of Pivot Stile. Reduce door sag by tightening the 5/16 inch Adjustment Set Screw with a 5/32 inch Allen Wrench.
 - a. The door should lift without having to be manually lifted.
 - b. Do not allow the Adjusting Set Screw to protrude more than 5/32 inch past the end of stile.
 - c. If an optional 1/2 inch Adjustment Set Screw provided by NABCO is deemed necessary, it could mean the Preload is misaligned. Go to Section 4.3 before replacing the 5/32 inch Adjustment screw.

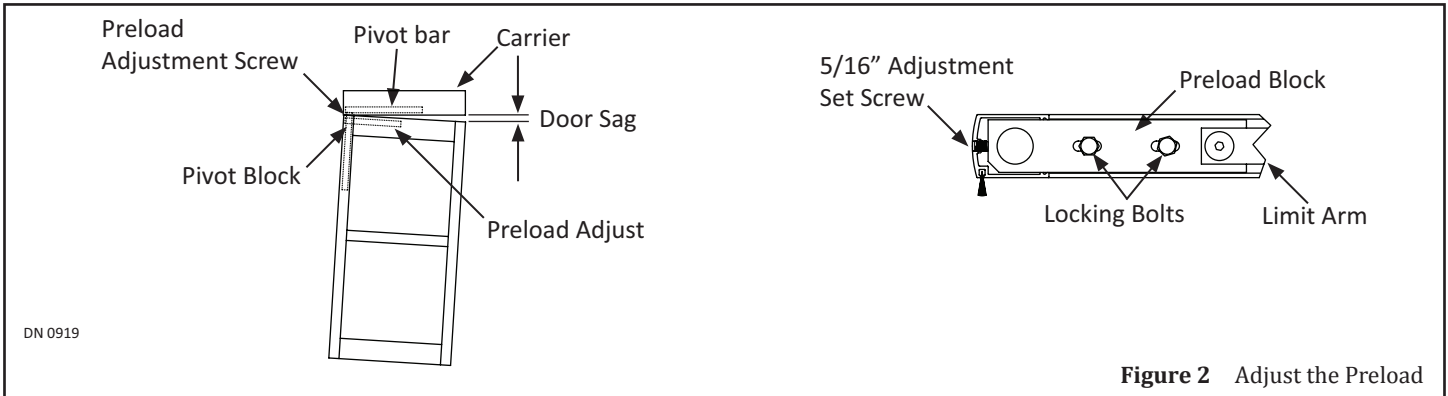


Figure 2 Adjust the Preload

4.3 Correct Preload Misalignment

1. Check to see if misalignment exists on the Strike end of the Door and Carrier.
2. Loosen the Allen head fasteners on the Pivot bar that is located inside the Carrier. Slide the Pivot bar until the door and Carrier are properly aligned.
3. Verify that the Panic Catch inside the Top Rail and the Carrier are still aligned. If not, loosen the 5/16 inch set screw to align the Carrier Panic Catch with the Top Rail Panic Catch.

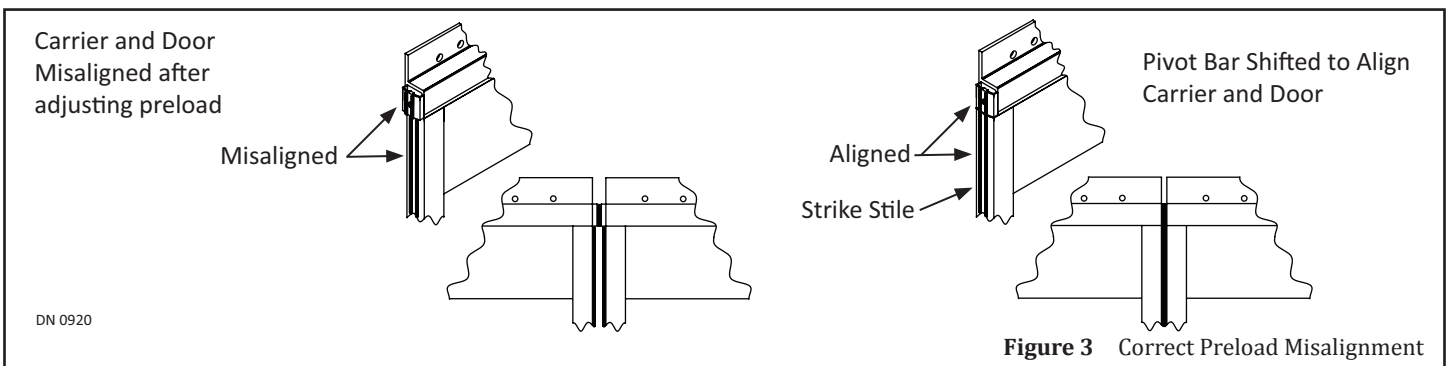


Figure 3 Correct Preload Misalignment

4.4 Adjust the Nose Caster

Note: Nose Casters are pre-installed for Sliding Doors that are 54 inches Wide (or greater) and/or over 200 pounds.

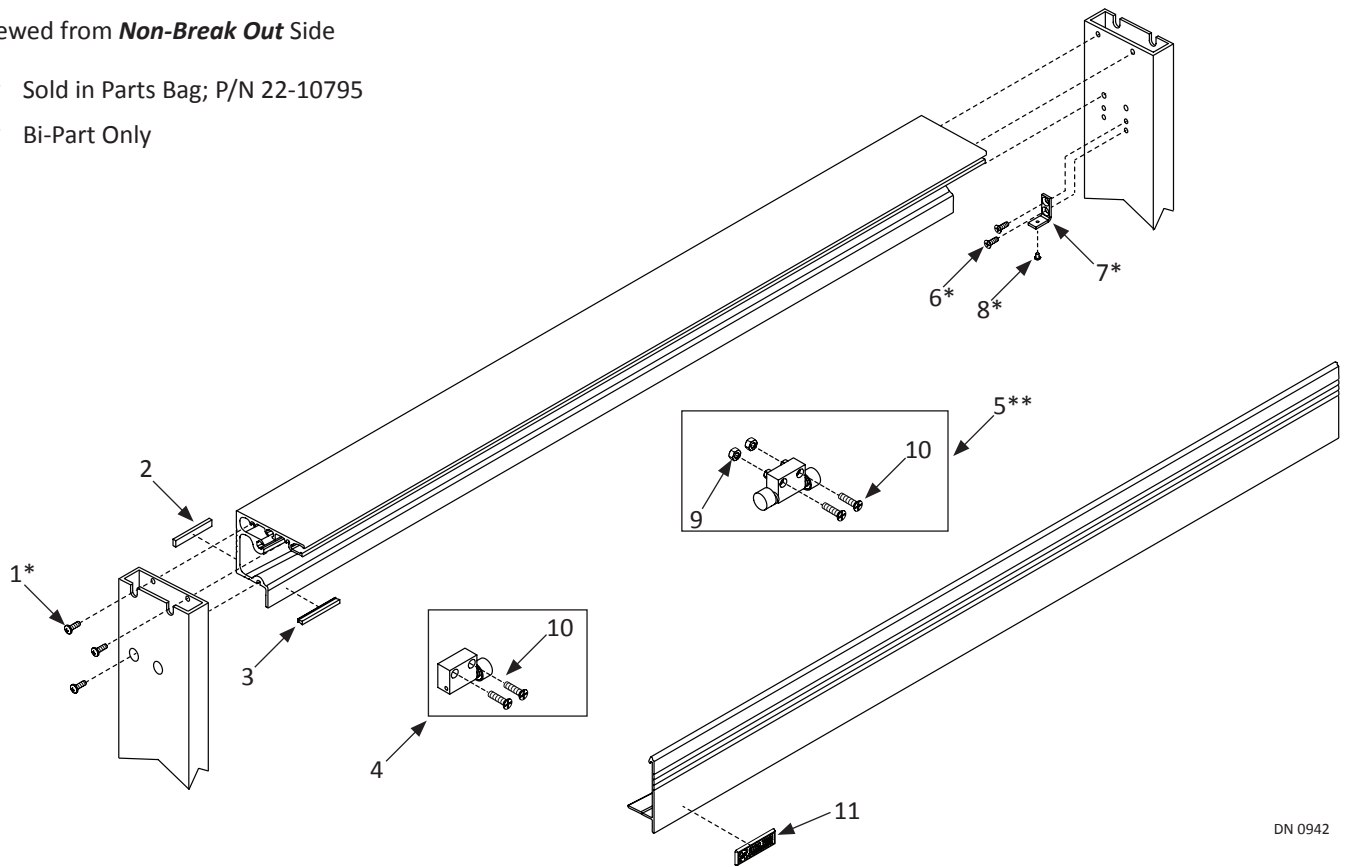
1. Loosen the #8-32 Set Screw.
2. Position the Wheel so it is perpendicular to the Bottom Rail.
3. Retighten the #8-32 Set Screw.
4. Break open the Slide door. Ensure the Slide door does not scrape the floor. If it does lower the Nose Caster further.

SERVICE PARTS: HEADER

Viewed from *Non-Break Out* Side

* Sold in Parts Bag; P/N 22-10795

** Bi-Part Only

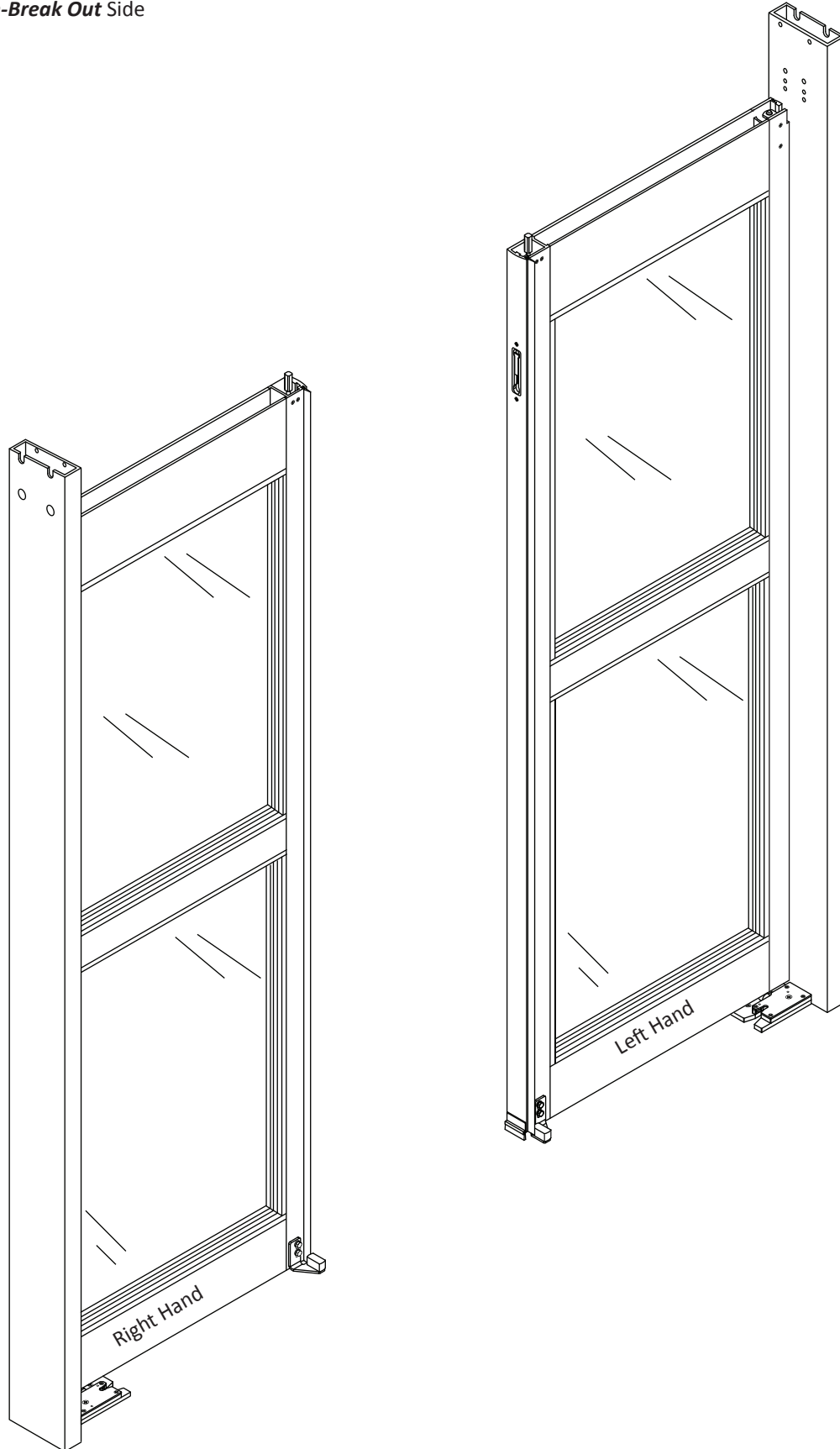


DN 0942

Header			
Item	Part	Finish/Sizes/Notes	Description
1	24-0015-61	Zinc	RHMS,1/4-20 X 3/4" PHIL, TYPE F, ZN
2	14-8161-01	Smoke Seal only	TAPE, .25 X .50 FOAM
3	14-2279-05	Smoke Seal only/Black	PILE WEATHERING, BLK, .45 TALL, W/ ADHES
4	12-10714	RH	END STOP ASSEMBLY - RH
	12-10829	LH	END STOP ASSEMBLY - LH
5	12-11107		DOOR STOP ASSEMBLY CENTER -BIPART
6	24-0011-70	Zinc	FHMS, 1/4-20 X 7/16", PHIL, UND, ZN
7	14-10727		CLIP, COVER
8	24-0015-22	Zinc	RHMS,#8-32 X 1/4", PHIL, ZN
9	24-0021-14		HEX NUT, 1/4-20, ZN
10	24-0011-09		FHMS,1/4-20 X 1,PHILLIPS
11	14-9199		NAMEPLATE, ADHESIVE BACKED

SERVICE PARTS: FULL OPEN SIDELITE

Viewed from *Non-Break Out* Side

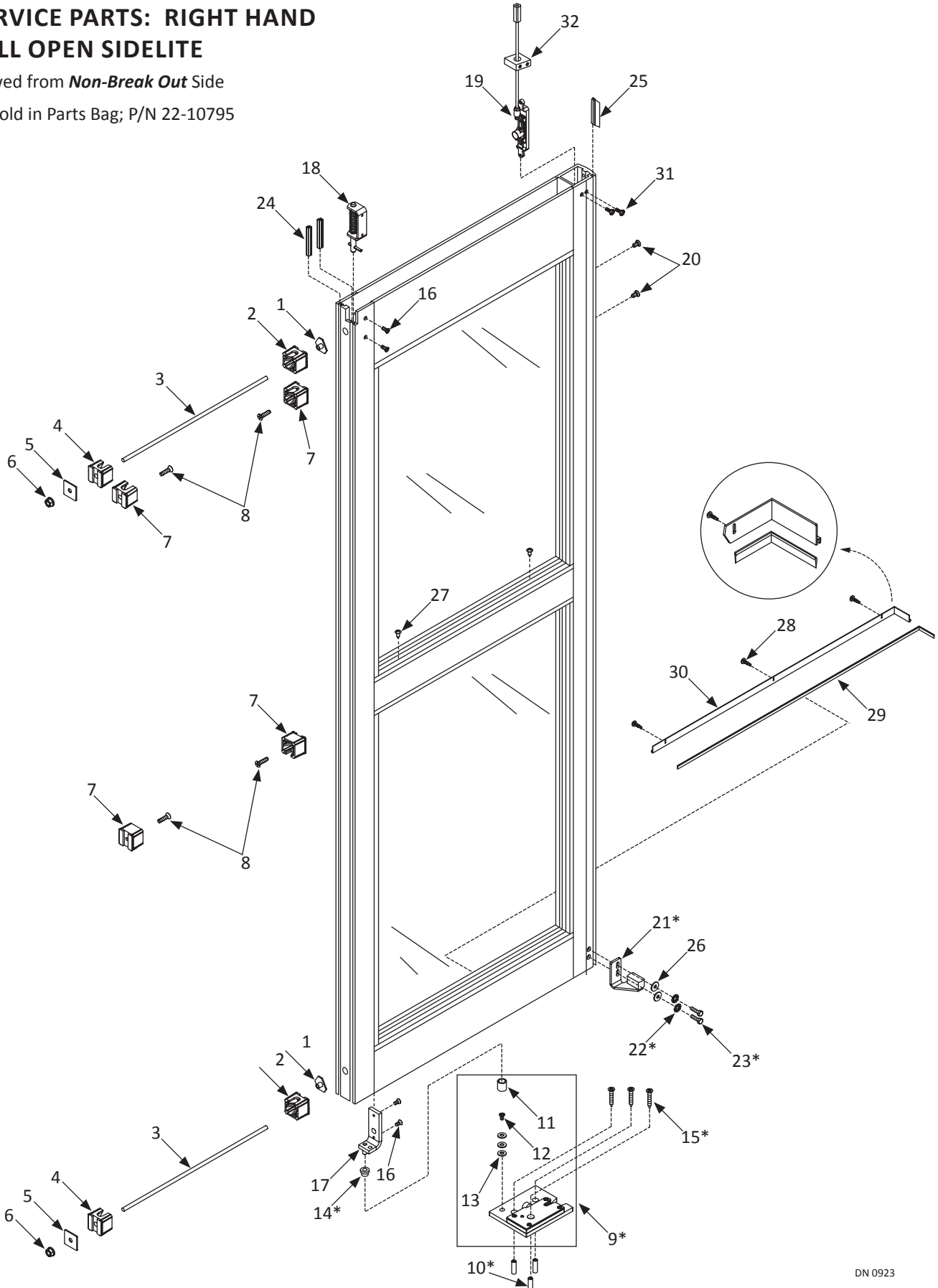


DN 0921

SERVICE PARTS: RIGHT HAND FULL OPEN SIDELITE

Viewed from **Non-Break Out** Side

* Sold in Parts Bag; P/N 22-10795

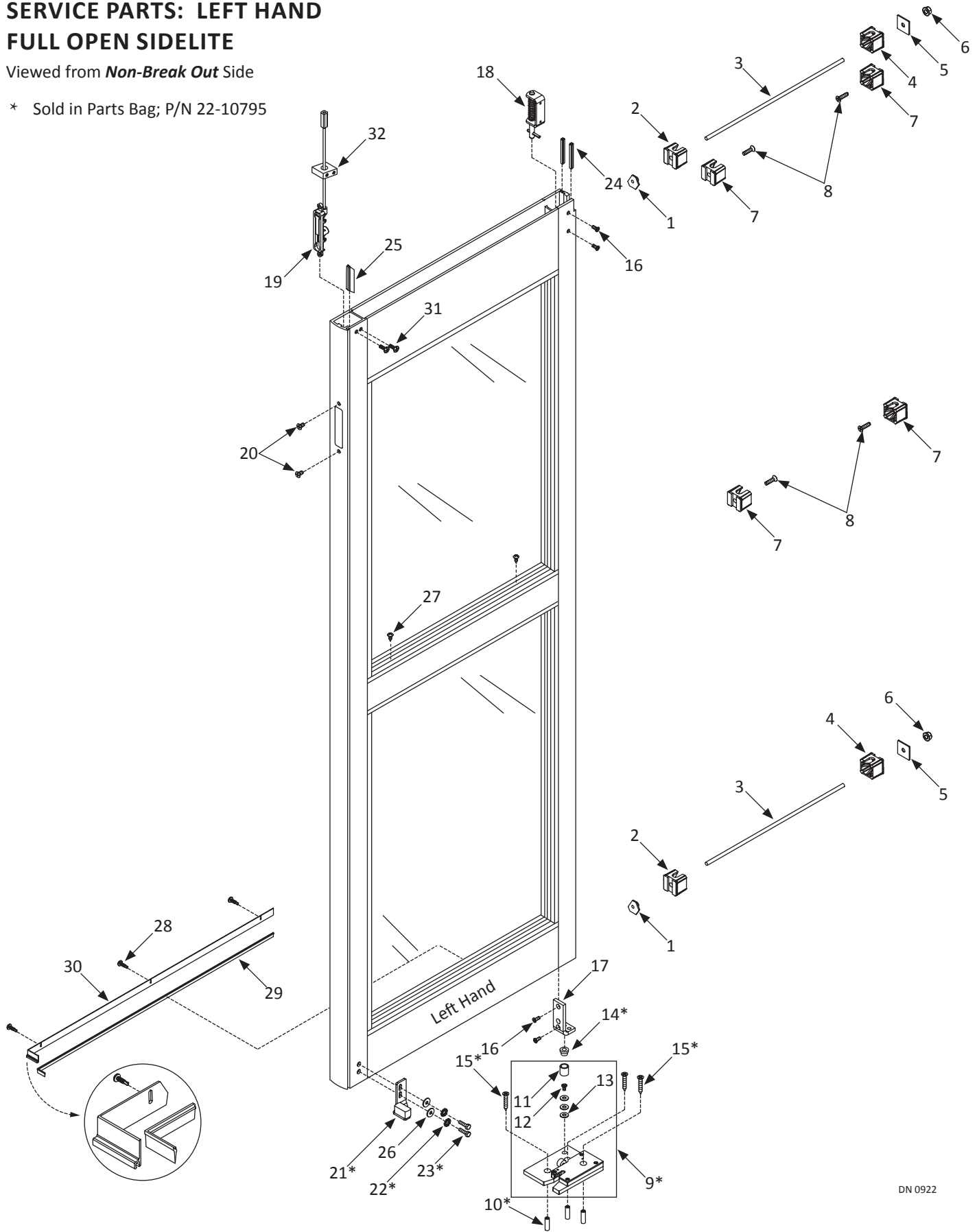


DN 0923

SERVICE PARTS: LEFT HAND FULL OPEN SIDELITE

Viewed from *Non-Break Out* Side

* Sold in Parts Bag; P/N 22-10795

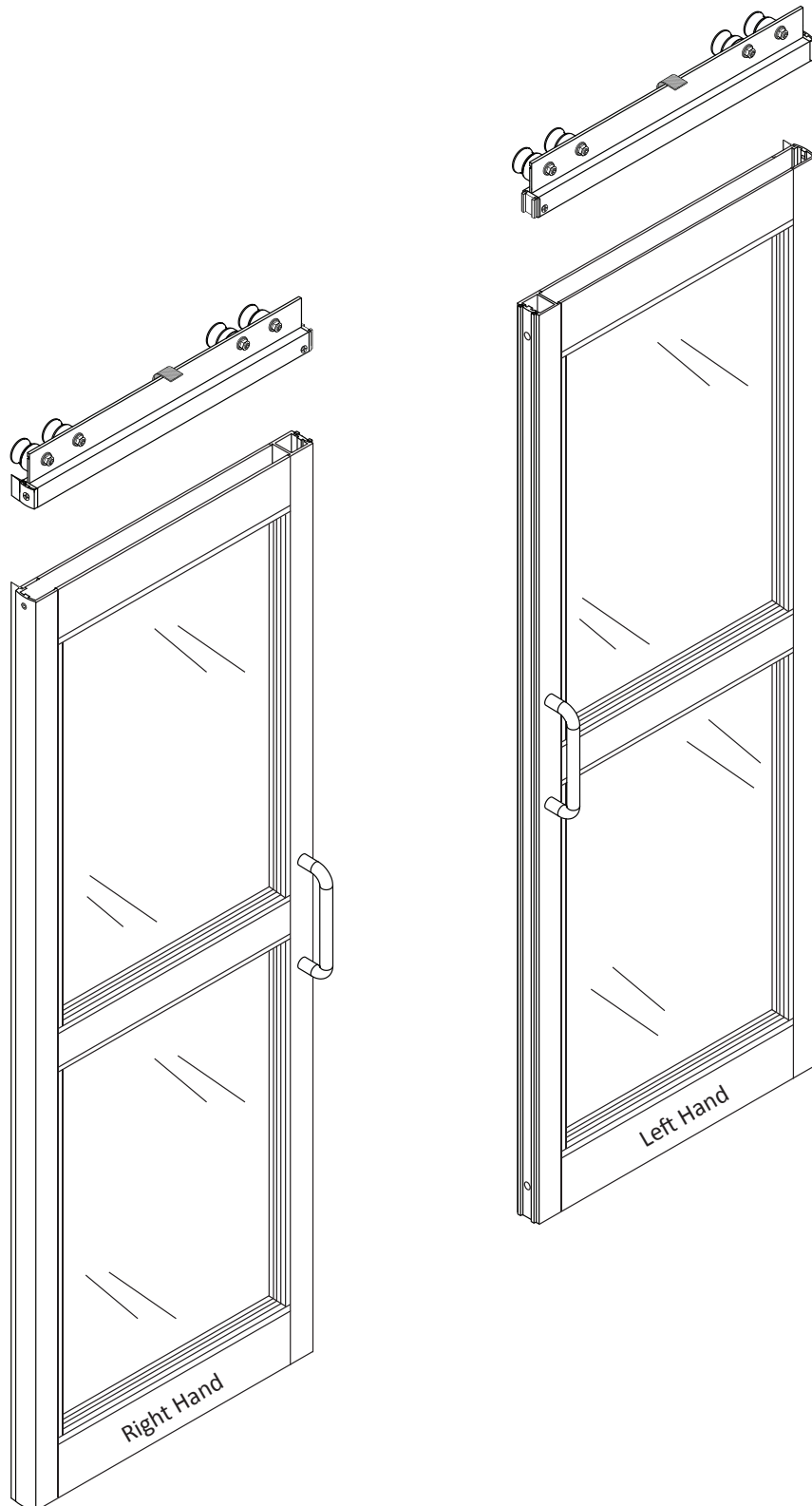


DN 0922

Full Open Sidelite			
Item	Part	Finish/Sizes/Notes	Description
1	14-9279		OFFSET TEE NUT, 3/8"-16
2	24-9503		CLIP, MUNTIN BAR - RAIL .500 HOLE
3	14-3624	Zinc	THREADED ROD, 3/8"-16 - ZINC PLATED
4	24-9504		CLIP, MUNTIN BAR - RAIL .386 HOLE
5	14-9225		BACKING PLATE, TIE ROD - DOOR ASSEMBLY
6	24-0021-21	Zinc	NUT, WHIZLOCK, 3/8-16, ZN
7	24-9502		CLIP, MUNTIN BAR - RAIL .261 HOLE
8	24-4941-02	Zinc	FHMS, 1/4-20 X 1", PHIL, TRILOBE, ZN
9	12-10796		PIVOT ASSY 2 PANEL RH
	12-10797		PIVOT ASSY 2 PANEL LH
10	14-1018		ANCHOR - PLASTIC #14 X 1 BLUE
11	14-10724		BOTTOM PIVOT - SWING PANEL
12	24-0011-13		FHMS, 1/4-20 X 3/4", PHIL, ZN
13	24-0017-14		WASHER, 5/16 ID X 3/4 OD X .062 THK
14	24-2458		BOTTOM PIVOT BUSHING, SWING PANEL
15	24-0031-21		FHSMS, 14 X 1 1/2", TYPE A, PHIL
16	24-0011-105		FHMS, 10-32 X 1/2", PHIL, UND, ZN
17	11-9509-02	RH	BOTTOM PIVOT SWING PANEL ASSY - RH
	11-9509-01	LH	BOTTOM PIVOT SWING PANEL ASSY - LH
18	21-9507		ASM, TOP PIVOT, 1175 SWING PANEL
19	24-5505-01	Clear	FLUSH BOLT MACHINED
	24-5505-02	Dark Bronze	FLUSH BOLT MACHINED
20	24-0011-72		FHMS, 10-24 X 3/8", PHIL, UND
21	12-12409	LH	GUIDE BLOCK SUB ASSY NARROW STILE - LH
	12-12410	RH	GUIDE BLOCK SUB ASSY NARROW STILE - RH
	12-12411	LH	GUIDE BLOCK SUB ASSY MEDIUM STILE - LH
	12-12412	RH	GUIDE BLOCK SUB ASSY MEDIUM STILE - RH
22	24-0019-05		1/4" EXTERNAL STAR WASHER
23	24-0014-01	Zinc	HHCS, 1/4-20 X 1", ZN
24	14-8632	Black	WEATHERING TRI POLY BLACK BULB
25	14-5592-01	Smoke Seal Only/Gray	WEATHER STRIP - 9/16 IN VINYL FIN, GRAY
	14-5592-02	Smoke Seal Only/Black	WEATHER STRIP - 9/16 IN VINYL FIN, BLACK
26	24-0017-04		WASHER, 1/4 ID X 9/16 OD X .049 THK, STL
27	24-0094-01		PHSMS, 10 X 1/2", PHIL, TYPE A
28	24-0013-03	Smoke Seal Only/Zinc	PHSMS, 6 X 1/2", PHIL, TEKS, ZN
	24-0013-04	Smoke Seal Only/Black Oxide	PHSMS, 6 X 1/2", PHIL, TEKS, BLK ZN
29	14-3933-02	Smoke Seal Only/Black	WEATHERING BLACK VINYL 1 IN FIN
30	14-10659-01	Smoke Seal Only/LH/Clear	WEATHERING HOLDER
	14-10659-02	Smoke Seal Only/LH/Dark Bronze	WEATHERING HOLDER
	14-10660-01	Smoke Seal Only/RH/Clear	WEATHERING HOLDER
	14-10660-02	Smoke Seal Only/RH/Dark Bronze	WEATHERING HOLDER
31	24-4941-18		PHMS, 10-32 X 1/2", PHIL, TYPE F
32	24-10774		LOCK ROD GUIDE - PLASTIC LOCK ROD END

SERVICE PARTS: SLIDE DOOR

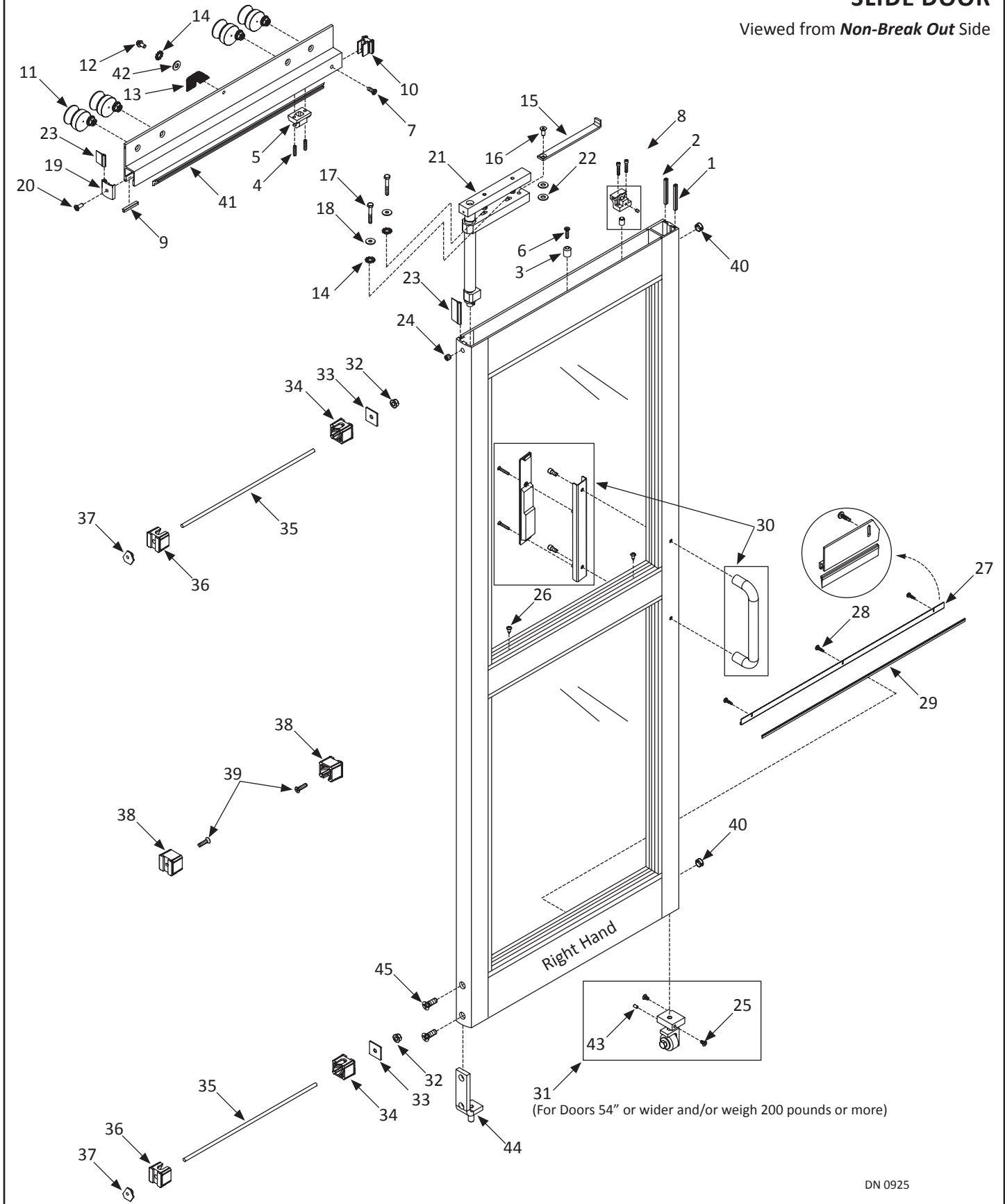
Viewed from *Non-Break Out* Side



DN 0924

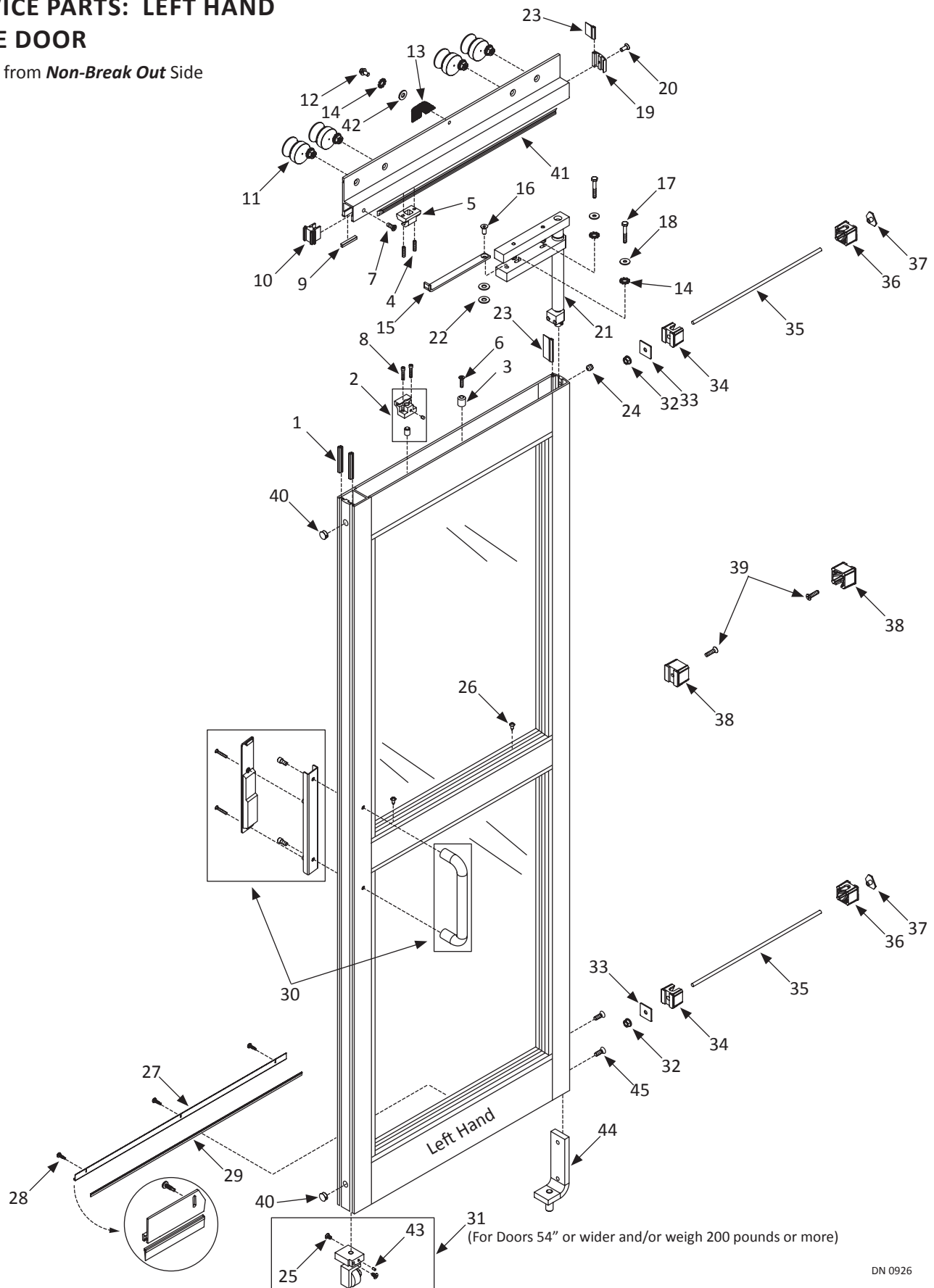
SERVICE PARTS: RIGHT HAND SLIDE DOOR

Viewed from *Non-Break Out* Side



SERVICE PARTS: LEFT HAND SLIDE DOOR

Viewed from *Non-Break Out* Side



DN 0926

Slide Door			
Item	Part	Finish/Sizes/Notes	Description
1	14-8632	Black	WEATHERING TRI POLY BLACK BULB
2	21-3468-99		PANIC CATCH RELEASE ASSY, MODEL 1100
3	14-8447		LIMIT ARM SUPPORT
4	24-0016-30		SHSS, 5/16-18 X 1.25", CUP
5	24-9483		PANIC CATCH, UPPER PART
6	24-4941-02	Zinc	FHMS, 1/4-20 X 1", PHIL, TRILOBE, ZN
7	24-0011-105	Zinc	FHMS, 10-32 X 1/2", PHIL, UND, ZN
8	24-0010-16		SHCS, 1/4-20 X 1 1/4"
9	14-2279-04	Smoke Seal Only	PILE WEATHERING, BLK, .20 TALL, CARRIER
10	12-10882-01	Clear	CAP, END STRIKE SIDE ASSY. BULB
	12-10882-02	Dark Bronze	CAP, END CARRIER STRIKE SIDE ASSB 313
11	12-10027		30mm HANGER ROLLER & HUB SUBASSY
12	24-0014-39	Green	HWHMS, 1/4-20 X 3/8", SLOT, GREEN
13	14-10907-01		STATIC ARRESTOR STRIP 4"
14	24-0019-05		1/4" EXTERNAL STAR WASHER
15	21-8396		LIMIT ARM, STD STILES
16	24-0011-77	Zinc	FHCS, 7/16-14 X 1", ZN
17	24-0014-12		HHCS, 1/4-20 X 1 3/4"
18	24-0017-04		WASHER, 1/4 ID X 9/16 OD X .049 THK, STL
19	14-10561-01	Clear	END CAP, PIVOT - TRAIL DOOR MILLED 204
	14-10561-02	Dark Bronze	END CAP, PIVOT - TRAIL DOOR 313
20	24-0011-130	Black Zinc	FHMS 10-32X1/2" PHIL TYP 23, UND, BLK ZN
	24-0011-131	Zinc	FHMS, 10-32X1/2", PHIL, TYP 23, UND, ZN
21	24-12002-10		CARRIER PVT ASSY NARROW STILE-UL PART
	24-12002-20		CARRIER PVT ASSY MED STILE-UL PART
	24-12002-30		CARRIER.PVT ASY - NRW STL-PNL <22.75-UL
	24-12002-40		CARRIER.PVT ASY - MD STL- PNL < 22.75"UL
22	24-0017-02		WASHER, 7/16 ID X 1 OD X .083 THK
23	14-5592-01	Smoke Seal Only/Gray	WEATHER STRIP - 9/16 IN VINYL FIN, GRAY
	14-5592-02	Smoke Seal Only/Black	WEATHER STRIP - 9/16 IN VINYL FIN, BLACK
24	24-0016-51	Black Oxide	SHSS, 5/16-24 X 5/16" CUP PT, BLK OX
25	24-0011-70	Zinc	FHMS, 1/4-20 X 7/16", PHIL, UND, ZN
	24-0011-73	Black Oxide	FHMS, 1/4-20 X 7/16", PHIL, UND, BLK OX
26	24-0094-01		PHSMS, 10 X 1/2", PHIL, TYPE A
27	24-9125-01	Smoke Seal Only/Clear	WEATHERING EXT, 204
	24-9125-02	Smoke Seal Only/Dark Bronze	WEATHERING EXT, 313
28	24-0013-03	Smoke Seal Only/Zinc	PHSMS, 6 X 1/2", PHIL, TEKS, ZN
	24-0013-04	Smoke Seal Only/Black Zinc	PHSMS, 6 X 1/2", PHIL, TEKS, BLK ZN
29	14-3933-01	Smoke Seal Only/Gray	WEATHERING GRAY VINYL 1 IN FIN
	14-3933-02	Smoke Seal Only/Black	WEATHERING BLACK VINYL 1 IN FIN
30	12-12958-01	Clear	KIT, ICU D/RECESSED HANDLE
	12-12958-02	Dark Bronze	KIT, ICU D/RECESSED HANDLE

Slide Door			
Item	Part	Finish/Sizes/Notes	Description
31	14-5543-11	Clear	NOSE CASTER ASSY NARROW STILE
	14-5543-12	Dark Bronze	NOSE CASTER ASSY
	14-5543-21	Clear	NOSE CASTER ASSY MED. STILE
	14-5543-22	Dark Bronze	NOSE CASTER ASSY
32	24-0021-21	Zinc	NUT, WHIZLOCK, 3/8-16, ZN
33	14-9225		BACKING PLATE, TIE ROD - DOOR ASSEMBLY
34	24-9504		CLIP, MUNTIN BAR - RAIL .386 HOLE
35	14-3624	Zinc	THREADED ROD, 3/8"-16 - ZINC PLATED
36	24-9503		CLIP, MUNTIN BAR - RAIL .500 HOLE
37	14-9279		OFFSET TEE NUT, 3/8"-16
38	24-9502		CLIP, MUNTIN BAR - RAIL .261 HOLE
39	24-4941-02	Zinc	FHMS, 1/4-20 X 1", PHIL, TRILOBE, ZN
40	14-9511-04		PLUG, HOLE, .813 DIAMETER, BLK
41	24-9094-01	Clear	INTERFACE LEG - 204
	24-9094-02	Dark Bronze	INTERFACE LEG - 313
42	24-0017-46		WASHER, FLAT 1/4X5/8X.051/.080
43	24-0016-05		SHSS, 8-32 X 5/16, CUP PT
44	12-10722		BOTTOM PIVOT BRACKET ASSY
45	24-0011-96		FHMS,1/4-20 X 3/4,PHIL