

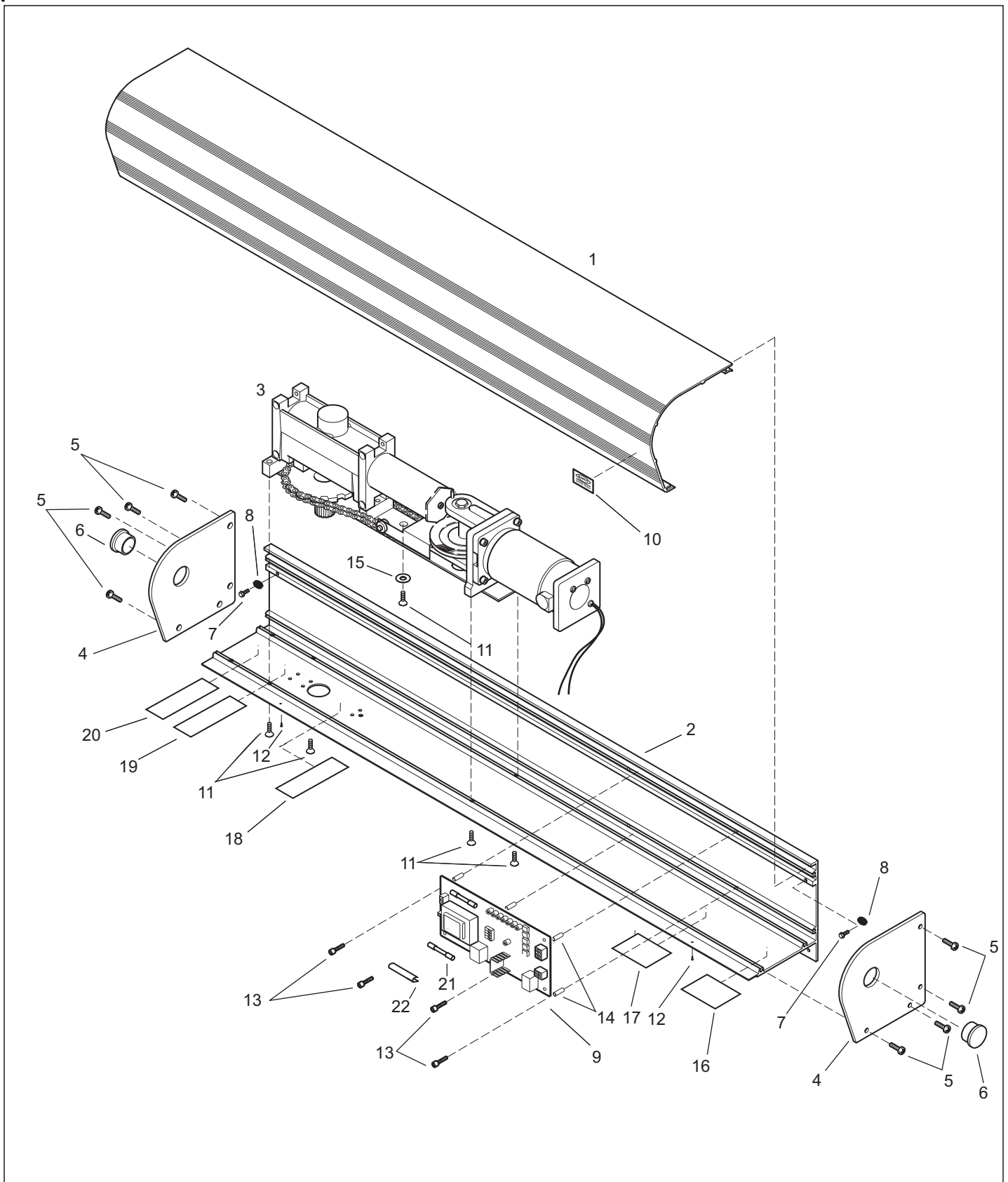
Section H8
GT710-CU, Magnum 1, Single

Header 3-4

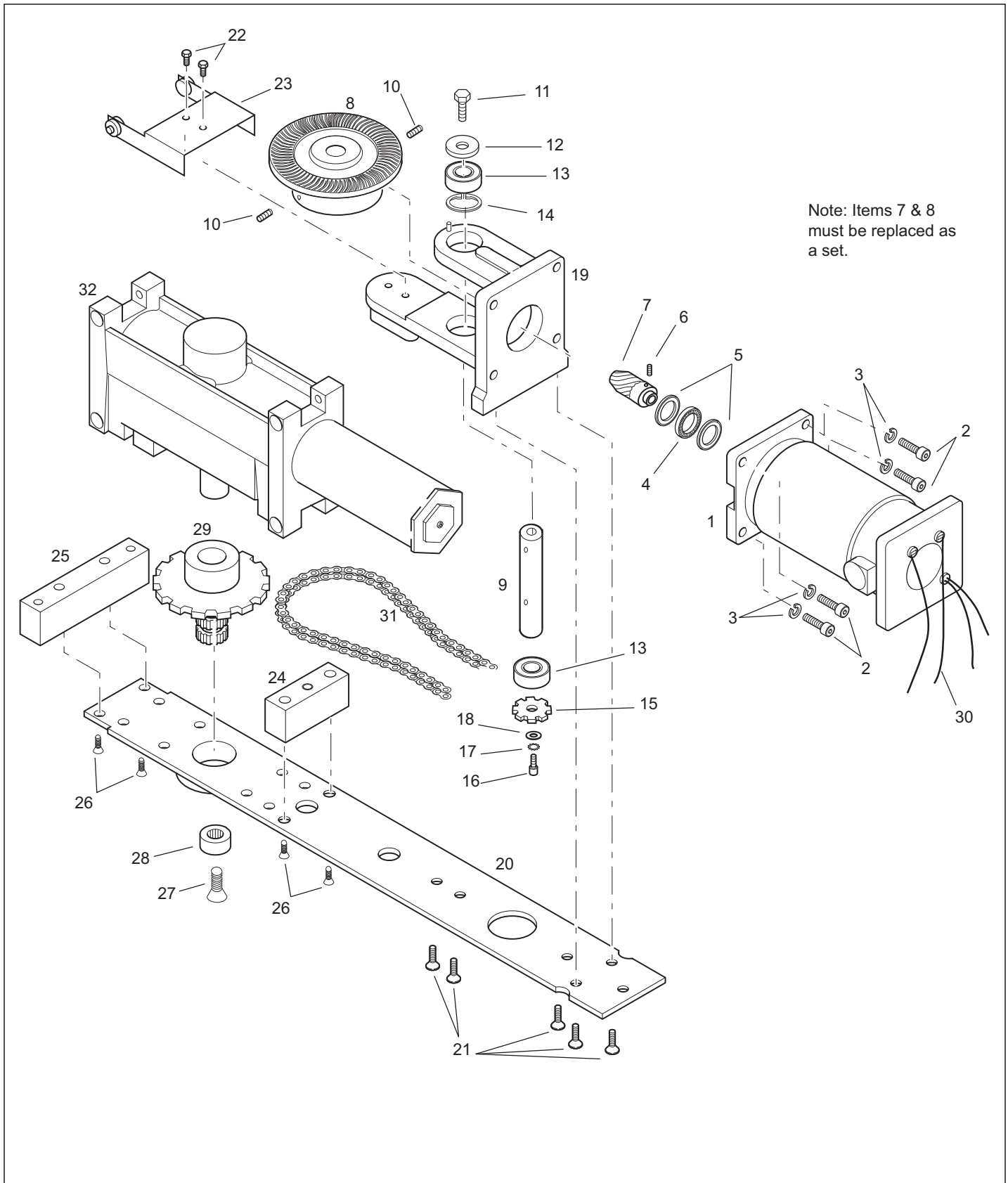
Operator 5-6

Control Board/Electrical 7-8

This Page Intentionally Left Blank



Item	Part	Select Finish	Description
1	24-8723-1X	★	COVER - OPERATOR HOUSING 39 7/32
2	24-5693-0X	★	HEADER MACHINED - LH OUT / RH IN
	24-5694-0X	★	HEADER MACHINED - RH OUT / LH IN
3	41-5638-01		GT710 OPERATOR ASSY, RH
	41-5638-02		GT710 OPERATOR ASSY LH
4	24-8724-0X	★	END CAP, BLANK- FOR 710
5	24-0015-61		RHMS, 1/4-20 X 3/4" PHIL SELFTAP
	24-0015-62		RHMS, 1/4-20 X 3/4"PHIL,SELFTAP
6	14-9511-04		PLUG, DOME
7	14-1517-01		SCREW, HEX HEAD 5/16-18 x 1/2 SELF TAP
8	14-1518-01		WASHER, CUP- .312 AD X .88 OD X .040 THK
9	11-10362-01		MAGNUM TO MAGNUM-4 RETRO FIT FOR SINGLES
10	14-9199		NAMEPLATE, ADHESIVE BACKED
11	24-0011-09		SCREW - PHILLIPS HD MACH 1/4-20 X 1
	24-0011-111		SCREW - PHILLIPS HD MACH 1/4-20 X 1
12	24-0094-04		SCREW, PHLLPS PAN HD MACH #8 X 5/8" AB
	24-0094-16		SCREW, PHLLPS PAN HD MACH #8 X 5/8" AB
13	24-0010-01		SHCS, 10-24 X 7/8CAD-UL PART
14	14-8743		SPACER - NYLON #10 X 5/8 3/8 OD
15	24-0017-02		WASHER, 7/16 ID X 1 OD X .083 THK
16	14-8667		DECAL, "USE COPPER WIRE ONLY"
17	14-5454		DECAL, "HAZARDOUS SHOCK"
18	14-8731		DECAL, BACK CHECK
19	14-8729		DECAL, MAIN SPEED
20	14-8730		DECAL, LATCH SPEED
21	10-0459		FUSE, 3A, 3AG
22	14-10015		FUSE COVER



Item	Part	Select Finish	Description
1	14-8703		MOTOR, LONG FRAME 115 VDC PERM. MAG.
2	24-0010-46		SCREW, SOCKET HEAD CAP #10-24 X 7/8"
3	24-0018-01		WASHER, .194 ID .334 OD .047 THK-UL PART
4	24-0418		BEARING, THRUST
5	24-0028		BEARING, RACE THRUST (BULK PACK)
6	24-0016-56		SCREW, SET SQ HD, 1/4-28 X 3/8" KNRL PNT
7	14-5574-01		GEAR NOT SOLD ALONE,USE KIT 12-13773-01
8	14-8706-01		GEAR NOT SOLD ALONE,USE KIT 12-13773-01
9	14-8707-01		SHAFT, PRIMARY DRIVE
10	24-0016-57		SCREW, SET SQ HD, 1/4-28 X 5/8" CONE PNT
11	24-0014-01		HHCS, 1/4-20 X 1, CLEAR ZINC
12	24-0017-37		WASHER, .405 ID, 13/16 OD, .062 THK-UL PRT
13	24-0413		BEARING, BALL
14	24-0428		RING, RETAINING
15	14-5639		SPROCKET, 8 TOOTH
16	24-0010-32		SCREW - SOCKET HEAD CAP #10-24 X 1/2
17	24-0019-06		WASHER, EXT.#10
18	24-0017-04		WASHER, 1/4 ID X 9/16 OD X .049 THK, STL
19	44-8719		CASTING, CARRIER - GEAR
20	21-5641		WELDMENT, BASE PLATE - 710
21	24-0011-03		SCREW - PHILLIPS HD MACH #10-24 X 1/2
22	24-0014-22		HHCS, #10-24 X 3/8
23	12-9856		CHAIN TENSIONER ASSEMBLY
24	14-5643		MOUNT, MID, OPERATOR
25	14-5644		MOUNT, NOSE - OPERATOR
26	24-0011-112		SCREW, PHILLIPS FLAT HEAD #12-24 X 1 1/2
27	22-3590-17		SCREW - PHLS FL HD W-VIBR 1/4-20 X 2 1/2
28	24-11468		BEARING, NEEDLE
29	21-5648		WELDMENT, SHAFT/SPROCKET - 710, COMPLETE
30	14-8736		OBSOLETE, LEAD MOTOR - SET
31	24-5649		DRIVE CHAIN ASSY
32	24-5650-01		HYDRAULIC CLOSER, LCN, RH, FOR GT710
	24-5650-02		HYDRAULIC CLOSER, LCN, LH, GT710

Control Boards/Electrical

