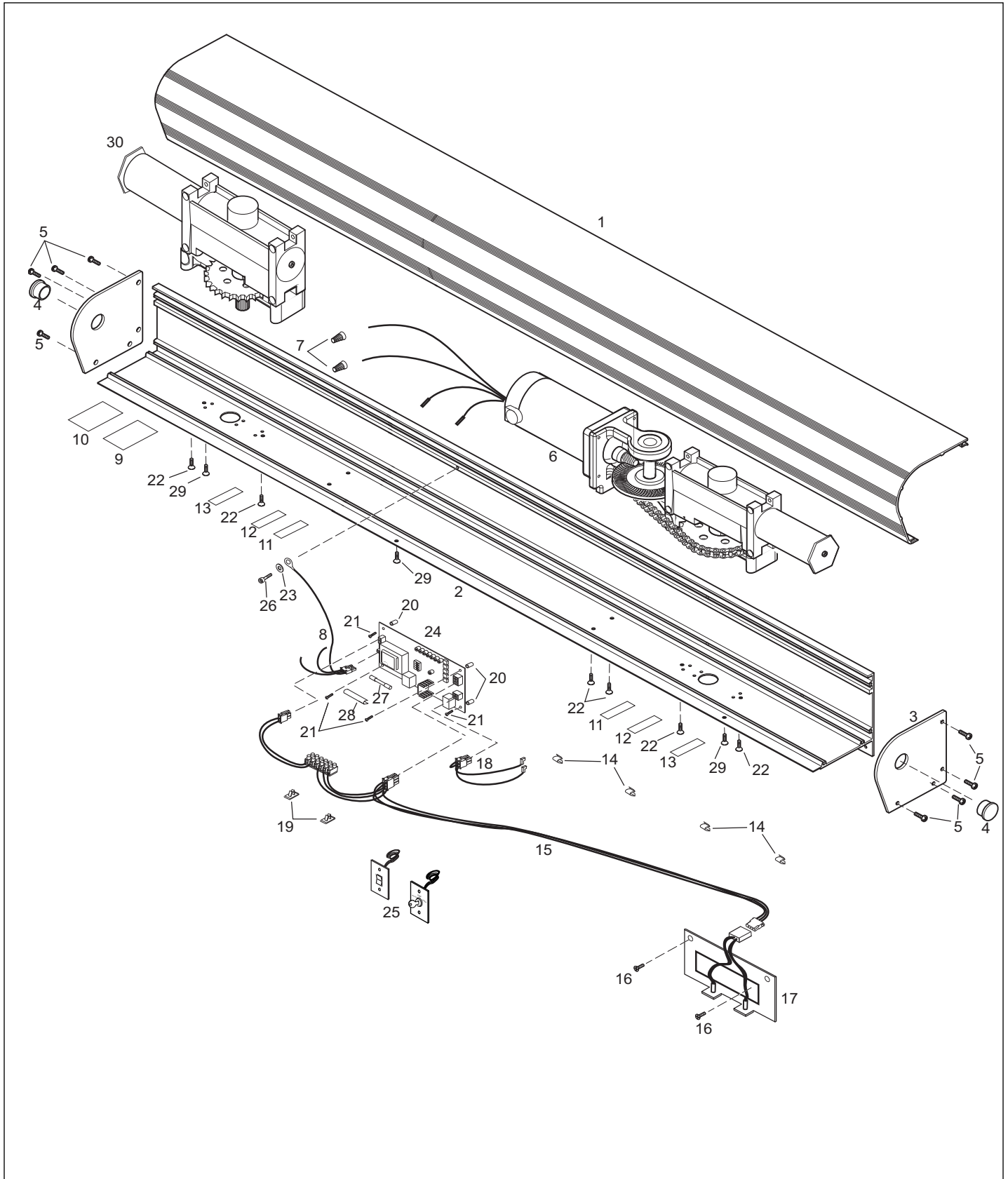


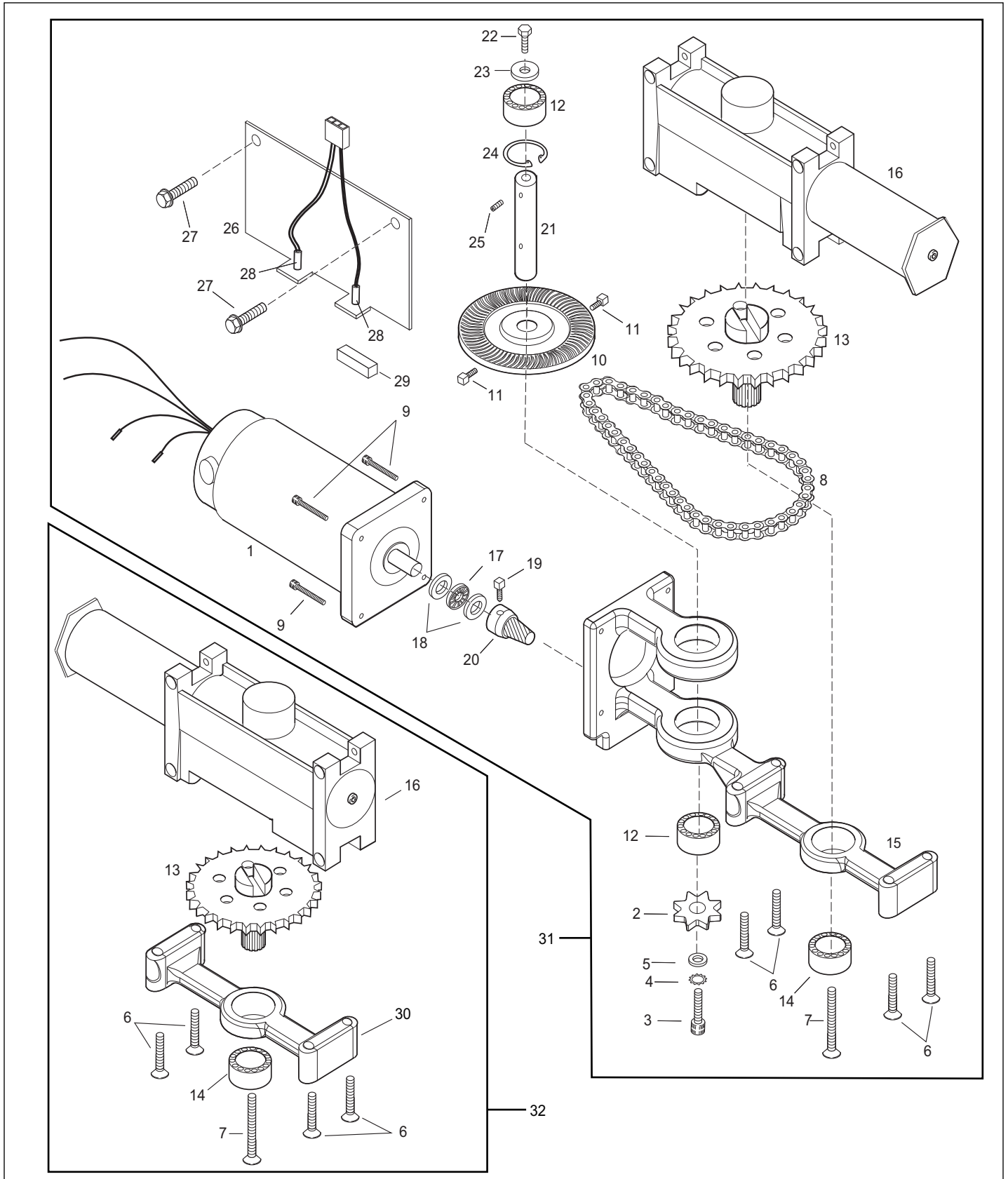
**Section H6**  
**GT710 OPMAN, CU, Magnum 2, 3, & 4 Control**

Header.....	3-4
Operator.....	5-6

**This Page Intentionally Left Blank**



Item	Part	Select Finish	Description
1	24-8723-2X	★	COVER - OPERATOR HOUSING 75 7/32
2	24-10321-1X	★	HDR, MACH IN/OUT SIM PAIR BUTT HINGE 204
	24-10321-2X	★	HDR, MACH IN SIM PAIR CENT PIV 204
	24-10321-3X	★	HDR, MACH IN SIM PAIR CENT PIV W/FG 204
	24-10321-4X	★	HDR, MACH OUT SIM PAIR CENT PIV 204
	24-10321-5X	★	HDR, MACH OUT SIM PAIR CENT PIV W/FG 204
	24-10411-1X	★	HDR, MACH OUT-IN OPMAN CENT PIV 204
	24-10411-2X	★	HDR, MACH IN-OUT OPMAN CENT PIV 204
	24-10411-3X	★	HDR, MACH OUT-IN OPMAN CENT PIV W/FG 204
	24-10411-4X	★	HDR, MACH IN-OUT OPMAN CENT PIV W/FG 204
3	24-8724-0X		END CAP, BLANK- FOR 710
4	14-9511-04		PLUG, DOME
5	24-0015-61		RHMS, 1/4-20 X 3/4" PHIL SELFTAP
	24-0015-62		RHMS, 1/4-20 X 3/4"PHIL,SELFTAP
6	22-10311-01		710 OPR ASSY RH
	22-10311-02		710 OPR ASSY LH
7	14-1218		WIRE, NUT 72B - MIN 2-18 MAX 3-16
8	21-9933		WIRING HARNESS MAGNUM BOARD, POWER
9	14-5454		DECAL, "HAZARDOUS SHOCK"
10	14-8667		DECAL, "USE COPPER WIRE ONLY"
11	14-8730		DECAL, LATCH SPEED
12	14-8729		DECAL, MAIN SPEED
13	14-8731		DECAL, BACK CHECK
14	24-1447		CLIP, WIRE HARNESS - HEADER, SWING
15	22-10065		HARNESS ASSY - MAGNUM
16	24-4941-19		SCREW, HEX WSHR HD 5/16-18 X 1" TYPE F
17	21-9941-01		MAGNETIC SWITCH SUB-ASSY, RH
	21-9941-02		MAGNETIC SWITCH SUB-ASSY, LH
18	11-10286		MOTOR HARNESS ASSY, GT710
19	14-9960		SADDLE WIRE
20	14-8743		SPACER - NYLON #10 X 5/8 3/8 OD
21	24-0010-01		SHCS, 10-24 X 7/8CAD-UL PART
22	24-0011-13		SCREW - PHILLIPS HD MACH 1/4-20 X 3/4
	24-0011-96		SCREW - PHILLIPS HD MACH 1/4-20 X 3/4
23	14-1518-01		WASHER, CUP- .312 AD X .88 OD X .040 THK
24	24-9800-04		MAGNUM CONTROL BOARD-04
25	10-3528		LE RS-12 ON/OFF/HLD OPN RCKR SWITCH ASY
	22-1772-03		KEY SWITCH KS-14 3 POSITION
	22-1772-05		KEY SWITCH KS-16 2 POS MOMENTARY
24	14-1517-01		SCREW, HEX HEAD 5/16-18 x 1/2 SELF TAP
27	14-11862		FUSE, 5 AMP, MAGNUM 2, 3, 4 - OR P/N 14-9470 FOR MAGNUM 4A
28	14-10015		FUSE COVER
29	24-0094-04		SCREW, PHLLPS PAN HD MACH #8 X 5/8" AB
	24-0094-16		SCREW, PHLLPS PAN HD MACH #8 X 5/8" AB
29	24-0094-04		SCREW, PHLLPS PAN HD MACH #8 X 5/8" AB
	24-0094-16		SCREW, PHLLPS PAN HD MACH #8 X 5/8" AB
30	22-10410-01		OPERATOR, 710 OPMAN RH
	22-10410-02		OPERATOR, 710 OPMAN LH



Item	Part	Select Finish	Description
1	14-8703		MOTOR, LONG FRAME 115 VDC PERM. MAG.
2	14-5639		SPROCKET, 8 TOOTH
3	24-0010-32		SCREW - SOCKET HEAD CAP #10-24 X 1/2
4	24-0019-06		WASHER,EXT.#10
5	24-0017-04		WASHER, 1/4 ID X 9/16 OD X .049 THK, STL
6	24-0011-112		SCREW, PHILLIPS FLAT HEAD #12-24 X 1 1/2
7	22-3590-17		SCREW - PHLS FL HD W-VIBR 1/4-20 X 2 1/2
8	24-5649-01		DRIVE CHAIN ASSY-52 PITCHES
9	24-0010-46		SCREW, SOCKET HEAD CAP #10-24 X 7/8"
10	14-8706-01		GEAR NOT SOLD ALONE,USE KIT 12-13773-01
11	24-0016-57		SCREW, SET SQ HD, 1/4-28 X 5/8" CONE PNT
12	24-0413		BEARING, BALL
13	21-5648		WELDMENT, SHAFT/SPROCKET - 710, COMPLETE
14	24-11468		BEARING, NEEDLE
15	24-10269		710 OPERATOR BODY
16	24-5650-02		HYDRAULIC CLOSER, LCN, LH, GT710
	24-5650-01		HYDRAULIC CLOSER, LCN, RH, FOR GT710
17	24-0418		BEARING, THRUST
18	24-0028		BEARING, RACE THRUST ( BULK PACK )
19	24-0016-56		SCREW, SET SQ HD, 1/4-28 X 3/8" KNURL PNT
20	14-5574-01		GEAR NOT SOLD ALONE,USE KIT 12-13773-01
21	14-8707		OBSOLETE ———SHAFT, PRIMARY DRIVE
22	24-0014-01		HHCS, 1/4-20 X 1, CLEAR ZINC
23	24-0017-37		WASHER, .405 ID, 13/16 OD, .062 THK-UL PRT
24	24-0428		RING, RETAINING
25	24-0016-09		SETSCREW, 10-32 X 1/4 KNURL PT-UL PART
26	21-9941-01		MAGNETIC SWITCH SUB-ASSY, RH
	21-9941-02		MAGNETIC SWITCH SUB-ASSY, LH
27	24-4941-19		SCREW, HEX WSHR HD 5/16-18 X 1" TYPE F
28	10-3069		MAGNETIC REED SWITCH, NORMALLY OPEN
29	14-9943		MAGNET, CERAMIC 1/4" SQUARE X 1"
30	24-10454		710 OPERATOR BODY CUT DOWN FOR OPMANS
31	22-10311-01		710 OPR ASSY RH
	22-10311-02		710 OPR ASSY LH
32	22-10410-01		OPERATOR, 710 OPMAN RH
	22-10410-02		OPERATOR, 710 OPMAN LH