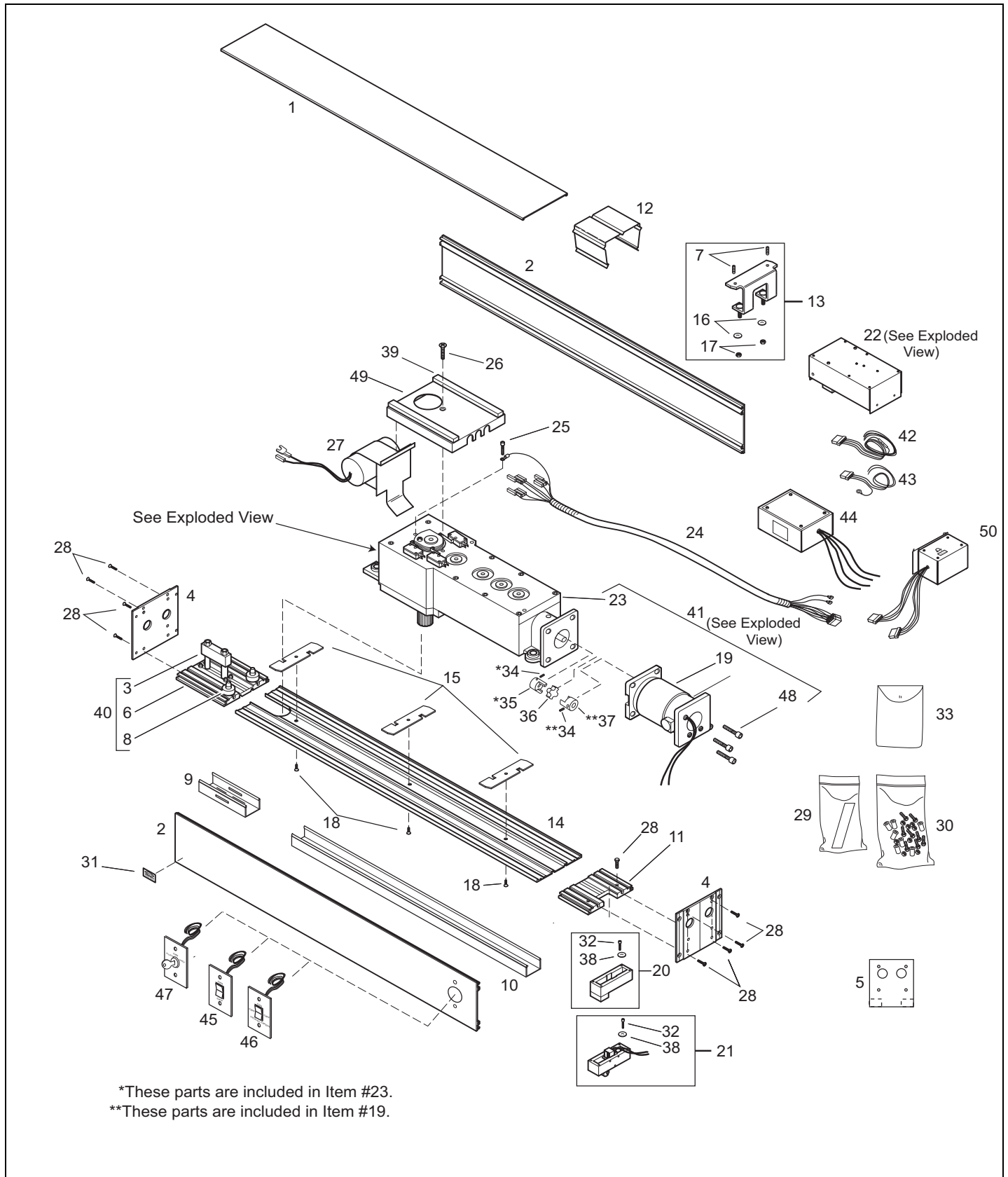


**Section H2**  
**GT350 OHC, Analog Control, Single**

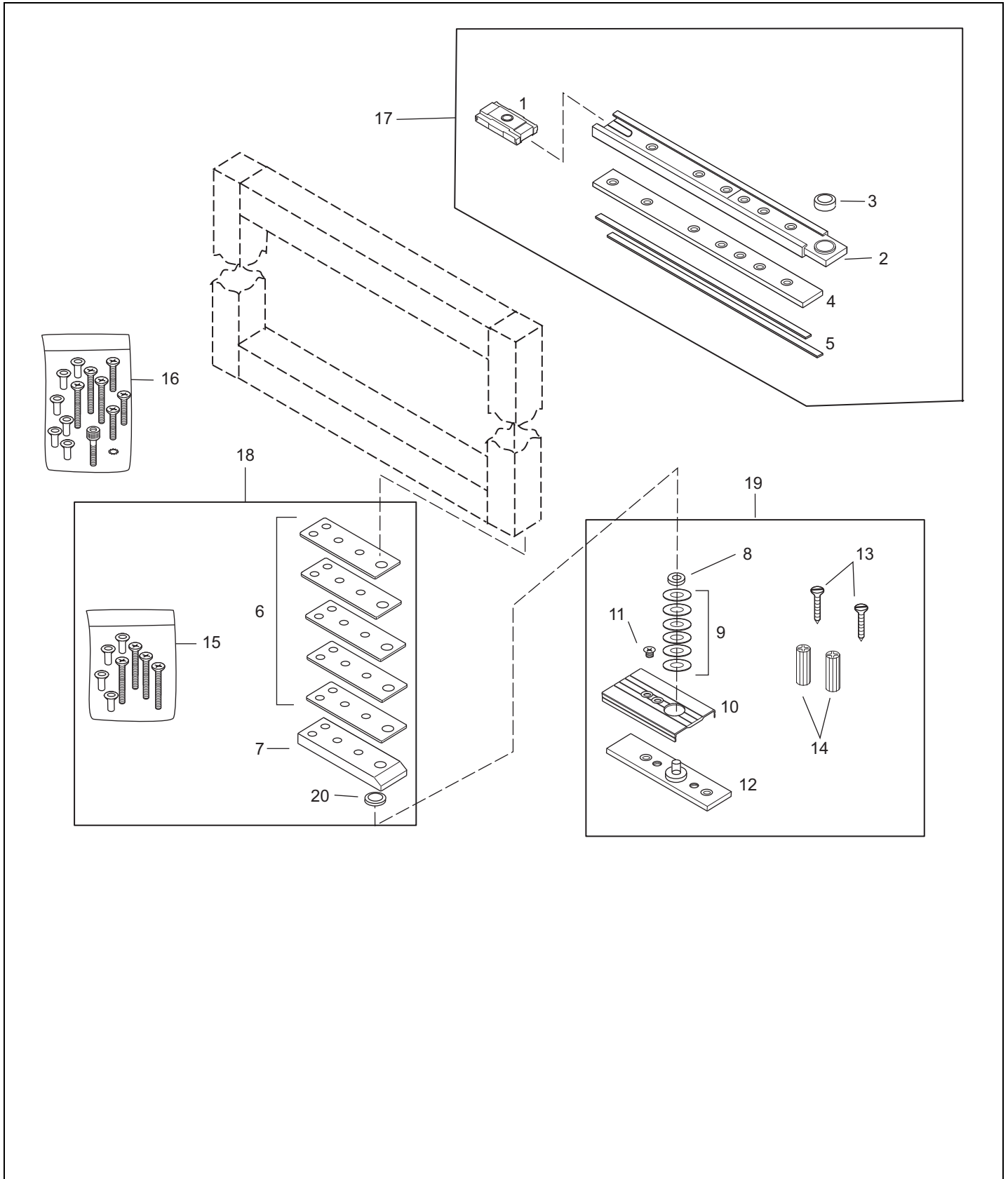
|                     |      |
|---------------------|------|
| Header .....        | 3-5  |
| Pivots .....        | 6-7  |
| Operator .....      | 8-12 |
| Control Board ..... | 13   |

**This Page Intentionally Left Blank**

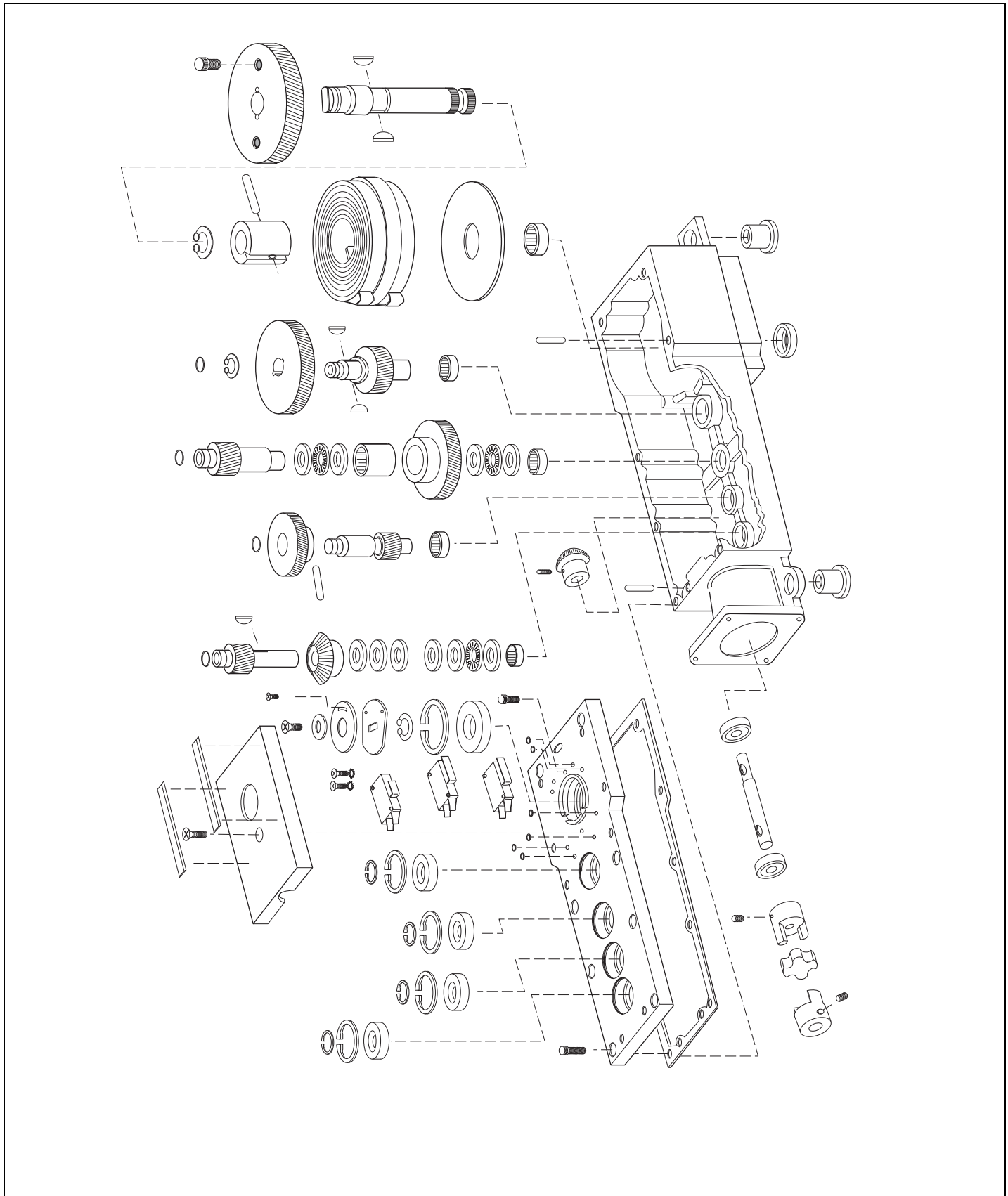


| Item | Part       | Select Finish | Description                              |
|------|------------|---------------|--|
| 1    | 24-0101-0X | ★             | EXTRUSION, ALUM - SWING HEADER TOP       |
| 2    | 24-0112-0X | ★             | EXTRUSION, ALUM - SIDE, SWING HEADER     |
| 3    | 21-0750    |               | TOP PIVOT ASSY                           |
| 4    | 24-1523-0X | ★             | SWING HEADER END CAP                     |
| 5    | 24-1773    |               | JAMB DRILLING TEMPLATE                   |
| 6    | 22-1474-0X | ★             | OHC BASE PIVOT ASSY FGR GUARD-UL PART    |
|      | 22-1475-0X | ★             | OHC BASE PIVOT ASSY NO FGR GD-UL PART    |
| 7    | 24-0016-04 |               | SCREW, SET 1/4-20 X 1/2, KNURL POINT     |
| 8    | 24-0701    |               | PIN, OPERATOR - BASE, HOUSING            |
|      | 24-3169    |               | OPERATOR PIN MODIFIED                    |
| 9    | 24-0160-0X | ★             | OHC - SNAP IN CHANNEL PIVOT SIDE NO F/G  |
|      | 24-0161-0X | ★             | OHC - SNAP IN CHANNEL PIVOT SIDE F/G     |
| 10   | 24-0159-0X | ★             | EXTRUSION, ALUM - SNAP IN DRESS CHANNEL  |
| 11   | 24-0158-0X | ★             | OHC - SGL STRIKE BASE 3-1/4              |
| 12   | 24-0555    |               | MOUNT, CONTROL BOX                       |
| 13   | 21-0709    |               | OPERATOR MOUNT FRAME ASSY                |
| 14   | 24-0135-0X | ★             | OHC SNAP IN DRESS PLATE (34.69 to 39.19) |
|      | 24-0136-0X | ★             | OHC SNAP IN DRESS PLATE (39.25 to 43.75) |
|      | 24-0137-0X | ★             | OHC SNAP IN DRESS PLATE (43.81 to 48.31) |
| 15   | 24-1849    |               | LOCK COVER PLATE - BOTTOM                |
| 16   | 24-0017-02 |               | WASHER, 7/16 ID X 1 OD X .083 THK        |
| 17   | 24-0021-15 |               | HEX JAM NUT 3/8"-16                      |
| 18   | 24-0011-01 |               | SCREW - PHILLIPS HD MACH #10-24 X 3/4    |
|      | 24-0011-19 |               | SCREW - PHILLIPS HD MACH #10-24 X 3/4    |
| 19   | 22-0575    |               | MOTOR & COUPLING SUB-ASSY - SWINGER      |
| 20   | 21-0741-0X | ★             | OHC - DOOR STOP ASSY - NON PANIC         |
| 21   | 11-0930-0X | ★             | PANIC LATCH ASSY KIT, OHC-UL PART        |
| 22   | 41-1512    |               | CONTROL BOX - SC                         |
|      | 41-2342    |               | CONTROL BOX ASSY CSA                     |
|      | 41-2208    |               | CONTROL BOX FOR SLOW MODE OPER           |
|      | 41-3429    |               | CONTROL SLOW MODE CSA                    |
| 23   | 41-0024    |               | OPERATOR ONLY - RH SWING - SC            |
|      | 41-0025    |               | OPERATOR ONLY LH SWING - SC              |
| 24   | 22-0570    |               | OPERATOR SWITCH HARNESS SWGR-UL PRT      |
| 25   | 24-0010-32 |               | SCREW - SOCKET HEAD CAP #10-24 X 1/2     |
| 26   | 24-0011-02 |               | SCREW - PHILLIPS HD MACH #10-24 X 1      |
| 27   | 11-2067    |               | SOFT START KIT, 30 MF                    |
|      | 11-3536    |               | SUPER SOFT START KIT, 15 MF              |
| 28   | 24-4941-02 |               | SCREW, PH FL HD 1/4-20 X 1" TRILOBE FORM |
| 29   | 12-2350    |               | COVER COORDINATED TAPE PKG, OHC - 204    |
|      | 12-2351    |               | COVER COORDINATED TAPE PKG, OHC - 313    |
| 30   | 12-1339    |               | SCREW, BAG ASSY - OHC                    |
| 31   | 14-9199    |               | NAMEPLATE, ADHESIVE BACKED               |
| 32   | 24-0010-01 |               | SHCS, 10-24 X 7/8CAD-UL PART             |
| 33   | 12-5522    |               | DECAL KIT, SWING HEADER                  |
| 34   | 24-0016-02 |               | SCREW, SET 1/4-20 X 5/16, KNURL POINT    |

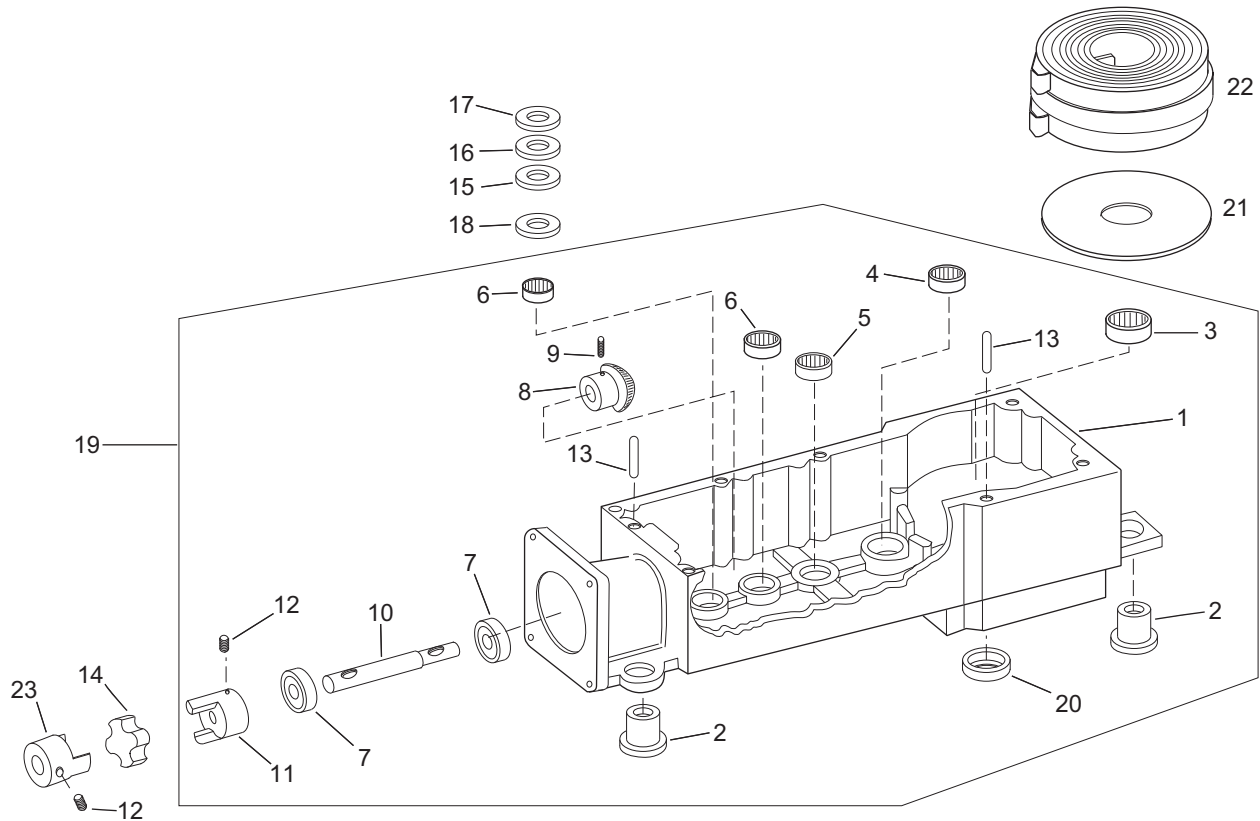
| Item | Part       | Select Finish | Description                              |
|------|------------|---------------|--|
| 35   | 14-1290    |               | COUPLING, DRIVE 10MM BORE                |
| 36   | 24-5188    |               | COUPLING, SPYDER                         |
| 37   | 24-0062    |               | COUPLING, SGL PART                       |
| 38   | 24-0018-01 |               | WASHER, .194 ID .334 OD .047 THK-UL PART |
| 39   | 14-3444-02 |               | PROTECTIVE STRIP, BUMP ON 5-3/8" LONG    |
| 40   | 21-1590    |               | OHC - TOP PIVOT/BASE ASY NO F/G 204-UL P |
|      | 21-1591    |               | OHC - TOP PIVOT/BASE ASY NO F/G 313-UL P |
|      | 21-1592    |               | OHC - TOP PIVOT/BASE ASY NO F/G BLK-UL P |
|      | 21-1593    |               | OHC - TOP PIVOT/BASE ASSY F/G 204-UL PRT |
|      | 21-1594    |               | OHC - TOP PIVOT/BASE ASSY F/G 313-UL PRT |
|      | 21-1595    |               | OHC - TOP PIVOT/BASE ASSY F/G BLK-UL PRT |
| 41   | 11-1390    |               | SWING OPERATOR ASSY - RH                 |
|      | 11-1391    |               | SWING OPERATOR ASSY - LH                 |
|      | 41-8987-06 |               | ANTISLAM SWING OPERATOR W/SHORT FRAME RH |
|      | 41-8987-05 |               | ANTISLAM SWING OPERATOR W/SHORT FRAME LH |
| 42   | 22-1775    |               | HARNESS, MAT                             |
| 43   | 22-0779    |               | POWER HARNESS ASSY - SWINGER             |
| 44   | 14-11435   |               | PC-6 LOCK OUT RELAY (USE KIT #14-11807)  |
| 45   | 10-3527    |               | LE RS-11 ON/OFF RCKR SWITCH ASY W/FPLT   |
| 46   | 10-3528    |               | LE RS-12 ON/OFF/HLD OPN RCKR SWITCH ASY  |
| 47   | 22-1772-03 |               | KEY SWITCH KS-14 3 POSITION              |
| 48   | 24-0010-46 |               | SCREW, SOCKET HEAD CAP #10-24 X 7/8"     |
| 49   | 22-4498    |               | SWITCH, ASSY COVER - SWINGER             |
| 50   | 24-3425-01 |               | TIME DELAY MODULE W/CLIP                 |



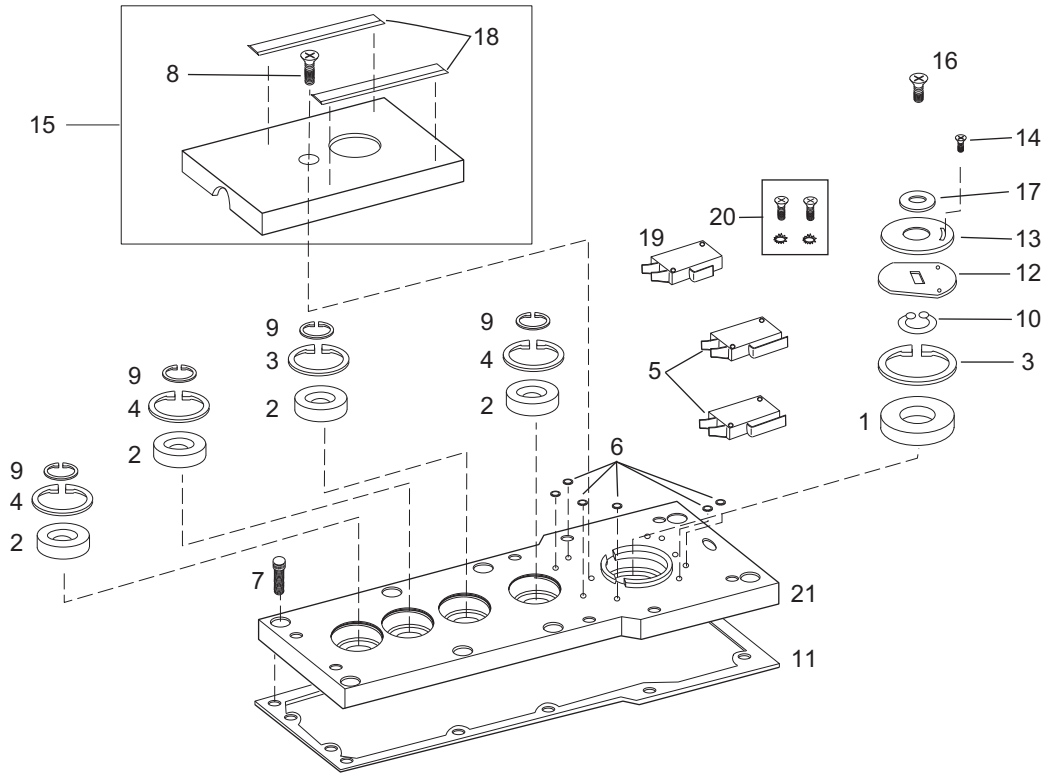
| Item | Part       | Select Finish | Description                                 |
|------|------------|---------------|---|
| 1    | 21-5371    |               | BLOCK, SLIDE - ASSY                         |
| 2    | 22-2134    |               | TRACK, W/TOP PIVOT BLOCK OHC                |
| 3    | 14-0771    |               | BEARING, 1/2" X 3/4" X 5/8" WIDE            |
| 4    | 24-0507    |               | BLOCK - SPACER 3/8                          |
| 5    | 24-0743    |               | SLIDE SPACER, 5/8" TRACK                    |
| 6    | 24-0748    |               | OHC - SPACER, BASE PIVOT                    |
| 7    | 24-0747    |               | OHC - BASE PIVOT                            |
| 8    | 24-0029    |               | PIVOT BASE - SELF ALIGNER-UL PART           |
| 9    | 24-0017-08 |               | WASHER, 7/16 ID, 31/32 OD, .031 THK-UL PRT  |
| 10   | 24-0742    |               | COVER - PLATE THRESHOLD 5-1/4-UL PART       |
| 11   | 24-0011-70 |               | SCREW, PH HD MACH 1/4-20 X 7/16 UND ZP      |
| 12   | 22-2049    |               | BASE PIVOT SHAFT SUB-ASSY OHC-UL PART       |
| 13   | 24-0031-04 |               | FHMS, 14 X 1 1/2" SLOT, TYPE A-UL PART      |
| 14   | 14-1018    |               | ANCHOR - PLASTIC #14 X 1 BLUE-UL PART       |
| 15   | 14-0571    |               | RIVNUT, 1/4" - 20 TAPPED - ALUMINUM         |
|      | 24-0011-10 |               | SCREW - PHILLIPS HD MACH 1/4-20 X 2         |
| 16   | 12-3398    |               | SCREW, BAG ASSY - OHC TRACK                 |
|      | 14-3880    |               | TEMPLATE, PREP-DOOR LEAF                    |
|      | 14-0571    |               | RIVNUT, 1/4" - 20 TAPPED - ALUMINUM         |
|      | 24-0011-10 |               | SCREW - PHILLIPS HD MACH 1/4-20 X 2         |
|      | 24-0011-16 |               | SCREW - PHILLIPS HD MACH 1/4-20 X 1 1/2 UND |
|      | 24-0010-25 |               | SCREW, SOCKET HEAD CAP 1/4-20 X 1 1/2"      |
|      | 24-0019-05 |               | WASHER, EXT. 1/4                            |
| 17   | 21-0925    |               | OHC TRACK ASSY WITH SCREW BAG ASSY          |
| 18   | 21-0098    |               | BTTM PIVOT ASSY, DOOR PORTION, SWG DOOR     |
| 19   | 21-0926    |               | BTM PIVOT ASSY, FLOOR PORTION-UL PART       |
| 20   | 14-0097    |               | BEARING, BALL - 1.049 X .440                |



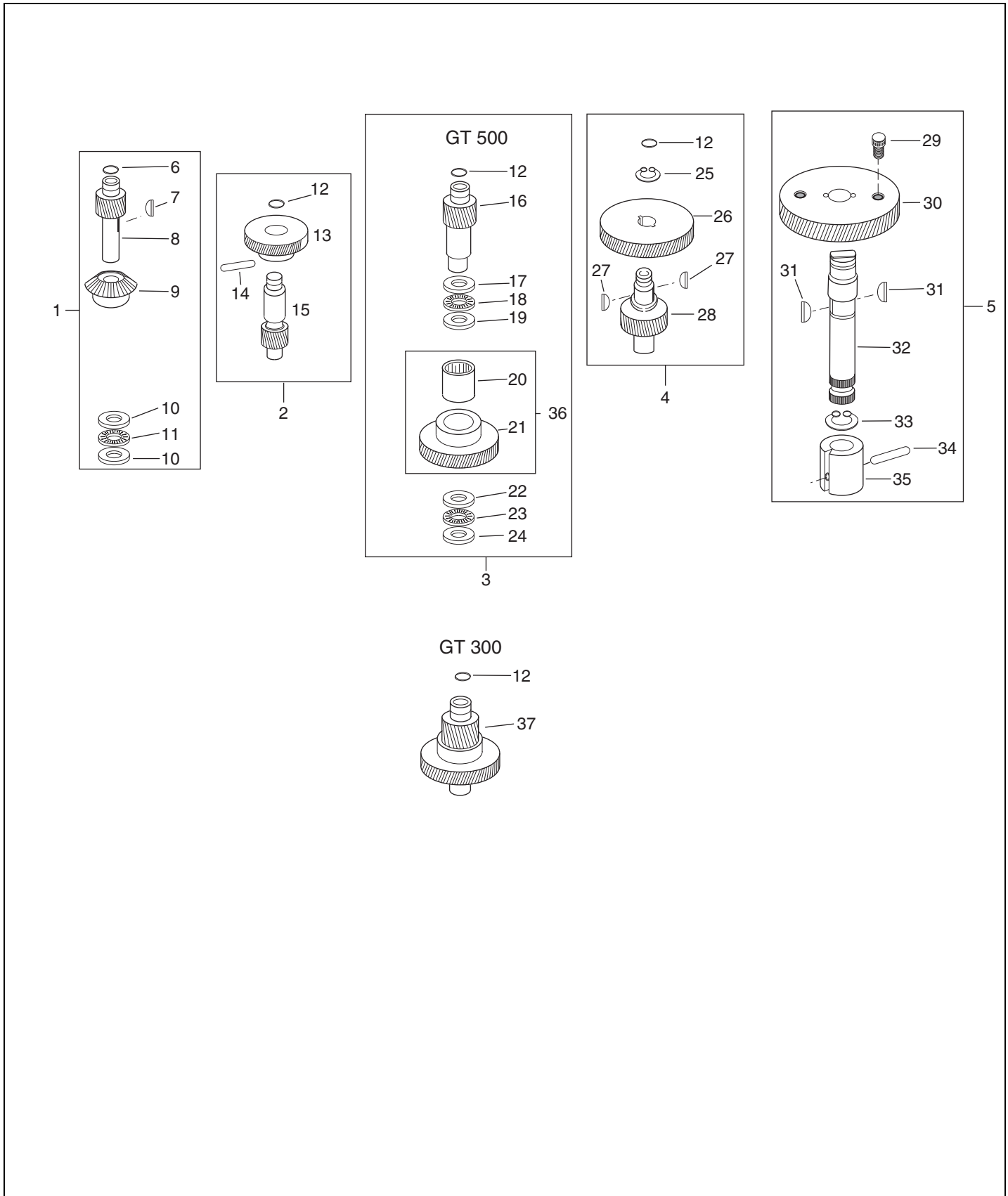




| Item | Part       | Description                              |
|------|------------|--|
| 1    | 44-0392    | OPERATOR HOUSING SWINGER                 |
| 2    | 24-0433    | MOUNT, RUBBER                            |
| 3    | 24-0384    | BEARING, NEEDLE                          |
| 4    | 24-0415    | BEARING, NEEDLE                          |
| 5    | 24-0416    | BEARING, NEEDLE                          |
| 6    | 24-0417    | BEARING, NEEDLE                          |
| 7    | 24-0414    | BEARING, BALL                            |
| 8    | 24-0394    | GEAR PINION - SPIRAL BEVEL, SWING        |
| 9    | 24-0020-25 | PIN, SPIROL 5/32 DIA X 13/16 LONG        |
| 10   | 14-1141    | SHAFT, GEAR SWINGER PINION               |
| 11   | 14-1290    | COUPLING, DRIVE 10MM BORE                |
| 12   | 24-0016-02 | SCREW, SET 1/4-20 X 5/16, KNURL POINT    |
| 13   | 24-0020-19 | PIN, DOWELL 1/4 DIA X 7/8 LONG           |
| 14   | 24-5188    | COUPLING, SPYDER                         |
| 15   | 24-0441    | SHIM, 1/2 ID X 1 OD X .005 THICK         |
| 16   | 24-0442    | "OBSOLETE" SHIM 1/2 ID X 1 OD X .003 TCK |
| 17   | 24-0443    | SHIM, 1/2 ID X 1 OD X .002 THICK         |
| 18   | 14-2215    | WASHER, 1/2 ID X 1 OD X .010 THK         |
| 19   | 42-0385    | OPERATOR SUB-ASSY SWINGER                |
| 20   | 24-0008    | SEAL GARLOCK SWINGER                     |
| 21   | 24-0398    | WASHER, SPRING THRUST                    |
| 22   | 24-0399-01 | SPRING, POWER OPERATOR                   |
| 23   | 24-0062    | COUPLING, SGL PART                       |



| Item | Part       | Description                              |
|------|------------|--|
| 1    | 24-0412    | BEARING, BALL                            |
| 2    | 24-0413    | BEARING, BALL                            |
| 3    | 24-0427    | RING, RETAINING                          |
| 4    | 24-0428    | RING, RETAINING                          |
| 5    | 24-0004    | MICROSWITCH                              |
| 6    | 24-0017-19 | WASHER, #4 X 1/4 OD X .062 THK NYLON     |
| 7    | 24-0010-09 | SCREW, SOCKET HEAD CAP 1/4-20 X 3/4"     |
| 8    | 24-0011-02 | SCREW - PHILLIPS HD MACH #10-24 X 1      |
| 9    | 24-0431    | RING, RETAINING                          |
| 10   | 24-0432    | RING, RETAINING                          |
| 11   | 24-0409    | USE PN -02 GASKET POWER OPERATOR - SWING |
| 12   | 24-2613    | FIXED CAM PANIC - SWINGER                |
| 13   | 24-0396    | CAM, SWITCH - ADJ & FIXED, SWINGER       |
| 14   | 24-0015-02 | RHMS,#6-32 X 1/4"PHIL                    |
| 15   | 22-4498    | SWITCH, ASSY COVER - SWINGER             |
| 16   | 24-0011-03 | SCREW - PHILLIPS HD MACH #10-24 X 1/2    |
| 17   | 24-0397    | LOCK SWITCH CAM                          |
| 18   | 14-3444-02 | PROTECTIVE STRIP, BUMP ON 5-3/8" LONG    |
| 19   | 14-3867    | MICROSWITCH, SHORT ARM                   |
| 20   | 24-3258-01 | SCREW, PH RD HD #4-40 X 3/4 W/#4 EXT WSR |
| 21   | 44-0382    | OPERATOR HOUSING COVER, SWGR, 2 SWITCH   |



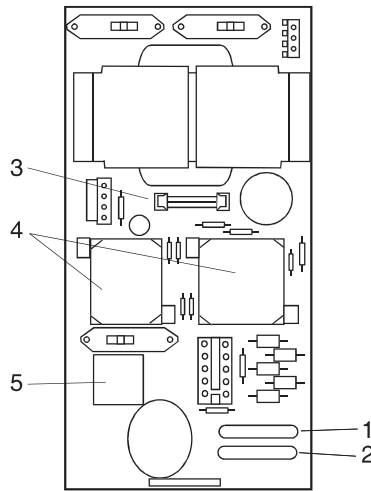
| Item | Part       | Description                              |
|------|------------|--|
| 1    | 22-0391    | SHAFT, GEAR SUB-ASSY                     |
| 2    | 22-0390    | SHAFT, GEAR SUB-ASSY                     |
| 3    | 22-0388    | CLUTCH & GEAR SUB-ASSY RH                |
|      | 22-0389    | CLUTCH & GEAR ASSY LH                    |
| 4    | 22-0387    | SHAFT, GEAR SUB-ASSY                     |
| 5    | 22-0375    | GEAR W/ARBOR SUB-ASSY RH                 |
|      | 22-0376    | GEAR W/ARBOR SUB-ASSY LH                 |
| 6    | 14-6186-01 | O-RING, D346 - .431 ID x .073 CROSS SECT |
| 7    | 24-1246-03 | WOODRUFF KEY, 1/8" X 1/2"                |
| 8    | 24-0407    | GEAR #8, POWER OPERATOR                  |
| 9    | 24-0393-01 | GEAR SPIRAL BEVEL                        |
| 10   | 24-0421    | BEARING, THRUST - RACE ( BULK PACK )     |
| 11   | 24-0418    | BEARING, THRUST                          |
| 12   | 14-6186-01 | O-RING, D346 - .431 ID x .073 CROSS SECT |
| 13   | 24-0406    | GEAR #7, POWER OPERATOR                  |
| 14   | 24-0020-24 | PIN, SPIROL 3/16 DIA X 1-1/4L.-UL PART   |
| 15   | 24-0405    | GEAR #6, POWER OPERATOR                  |
| 16   | 24-0403    | GEAR #4, POWER OPERATOR                  |
| 17   | 24-0423    | BEARING, THRUST - RACE                   |
| 18   | 24-0420    | BEARING, THRUST ( BULK PACK )            |
| 19   | 24-0424    | BEARING, THRUST - RACE TRA-1220          |
| 20   | 24-0426    | BEARING, CLUTCH NEEDLE                   |
| 21   | 24-0404    | GEAR #5, POWER OPERATOR                  |
| 22   | 24-0425    | BEARING, THRUST - RACE                   |
| 23   | 24-0419    | BEARING, THRUST                          |
| 24   | 24-0422    | BEARING, THRUST - RACE                   |
| 25   | 24-0430    | RING, RETAINING                          |
| 26   | 24-0402    | GEAR #3, POWER OPERATOR                  |
| 27   | 24-1246-03 | WOODRUFF KEY, 1/8" X 1/2"                |
| 28   | 24-0401    | GEAR #2, POWER OPERATOR                  |
| 29   | 24-0010-02 | SCREW, SOCKET HEAD CAP 3/8-24 X 1/2"CAD  |
| 30   | 24-0400    | GEAR #1, POWER OPERATOR                  |
| 31   | 24-1246-02 | WOODRUFF KEY, 3/16" X 5/8"               |
| 32   | 24-0383    | SHAFT, SPRING & GEAR - CENTER SWING      |
| 33   | 24-0432    | RING, RETAINING                          |
| 34   | 24-0020-10 | PIN, ROLL 1/4 DIA X 1-1/4 LONG           |
| 35   | 24-0377    | SPRING, SHAFT SWINGER 1-1/4" ID          |
| 36   | 12-1293    | GEAR & CLUTCH SUB-ASSY - RH              |
|      | 12-1294    | GEAR & CLUTCH ASSY - LH                  |
| 37   | 22-9004    | WELDED CLUTCH GEAR ASSY OF 4 & 5         |

# GT350 OHC

## Analog Control

### Single

### Control Board



| Item    | Part    | Description                              |
|---------|---------|--|
| 1       | 10-1250 | RESISTOR, 20 OHM - 12 WATT               |
|         | 14-1465 | RESISTOR, 100 OHM - 10 WATT (or 12 W)    |
|         | 14-1466 | RESISTOR, 125 OHM - 12 WATT              |
|         | 14-1467 | RESISTOR, 150 OHM - 12 WATT              |
|         | 10-1251 | RESISTOR, 200 OHM -12 WATT               |
|         | 14-1044 | RESISTOR, 50 OHM - 12 WATT               |
|         | 24-1045 | RESISTOR, 75 OHM                         |
|         | 2       | 14-1462                                  |
| 14-1463 |         | RESISTOR, 15 OHM - 12 WATT               |
| 10-1250 |         | RESISTOR, 20 OHM - 12 WATT               |
| 3       | 10-0451 | FUSE, BUSS GLH-8                         |
| 4       | 10-1151 | RELAY, 24 VDC - 3 PDT                    |
|         | 10-1153 | RELAY, DPDT, 48VDC, 10AMP                |
| 5       | 21-2915 | RELAY SOCKET W/JUMPER STANDARD MODE ONLY |