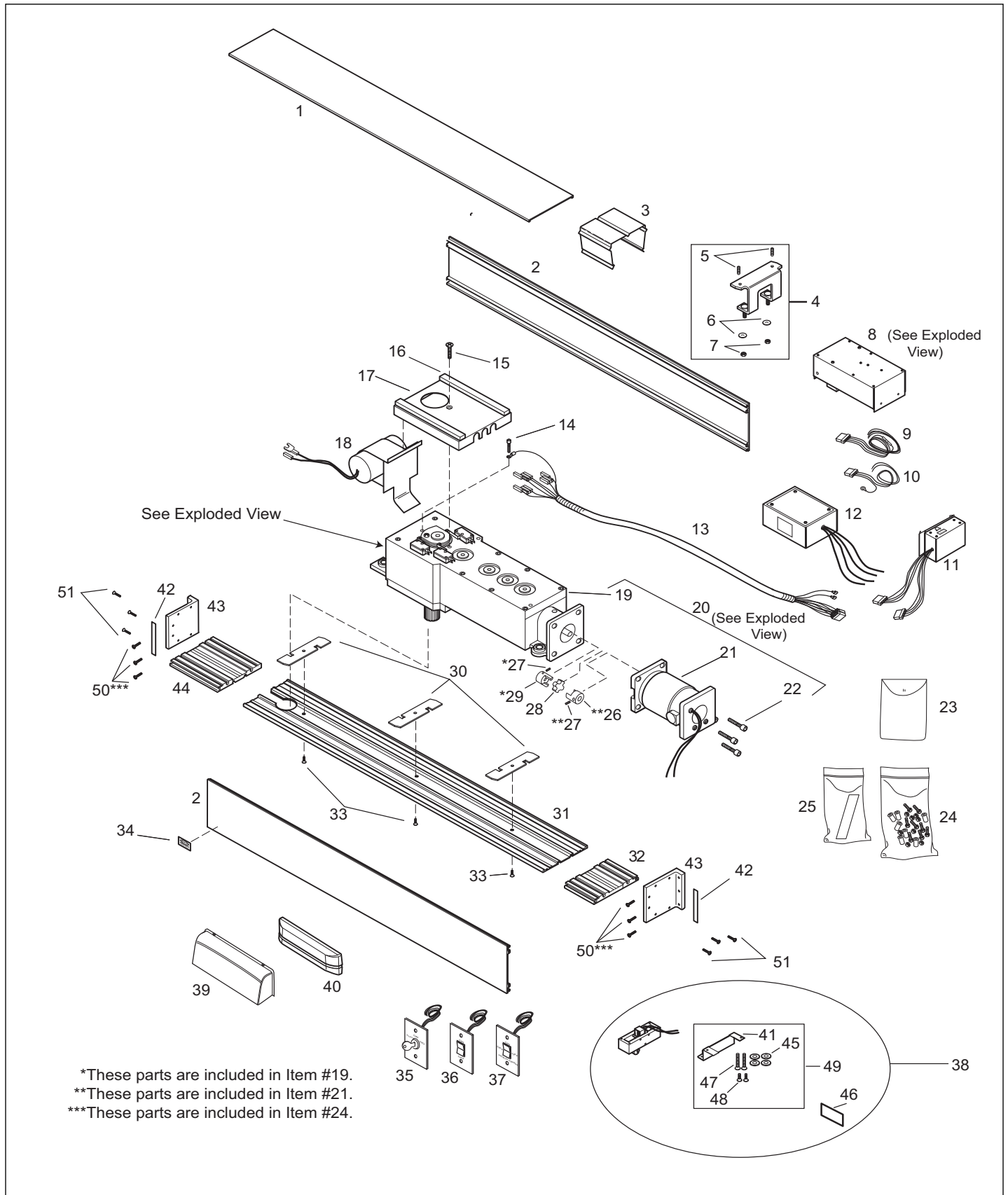


Section H1
GT500 CU, Analog Control, Single

| | |
|---------------------|------|
| Header | 3-5 |
| Operator | 6-10 |
| Control Board | 11 |

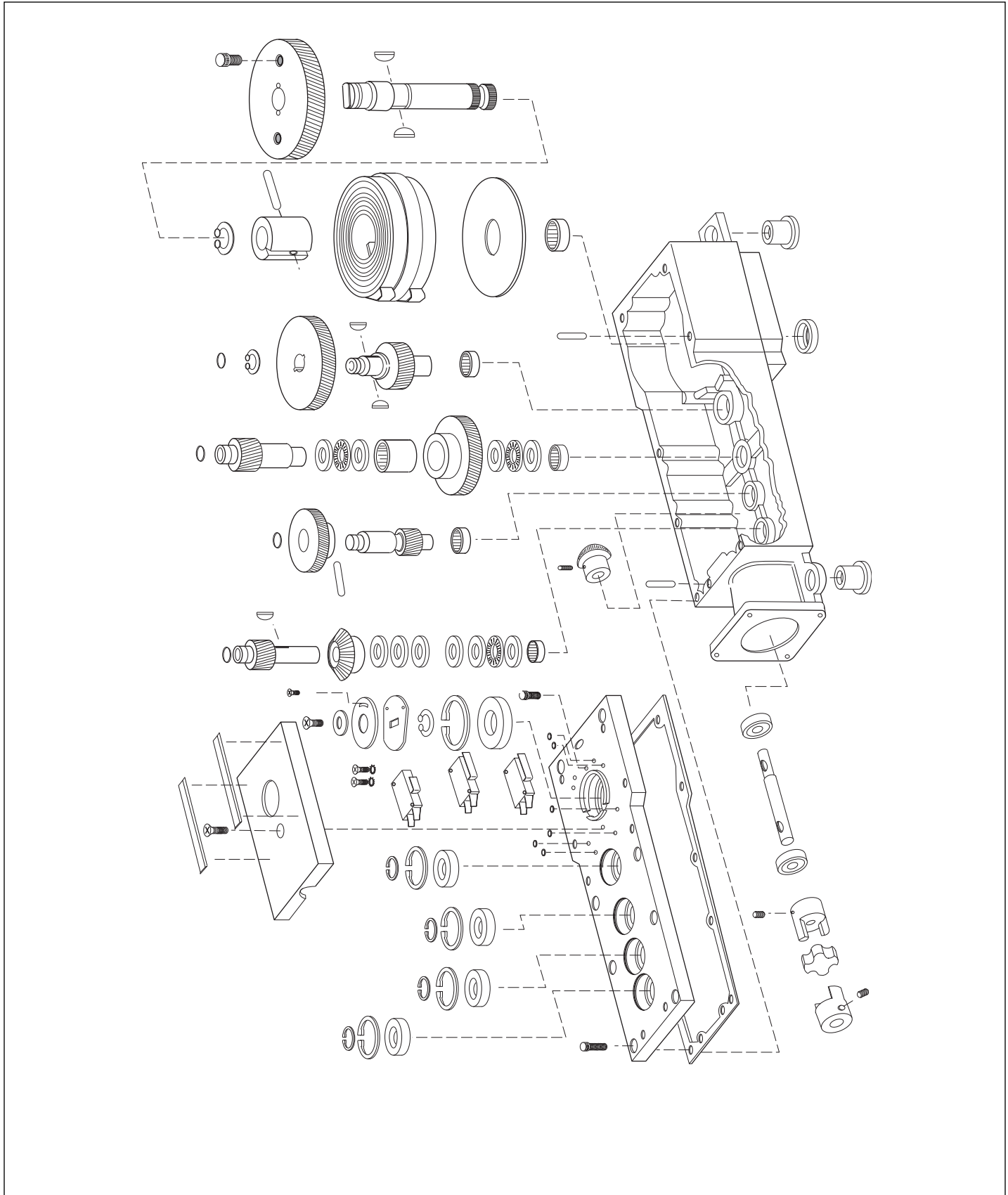
This Page Intentionally Left Blank

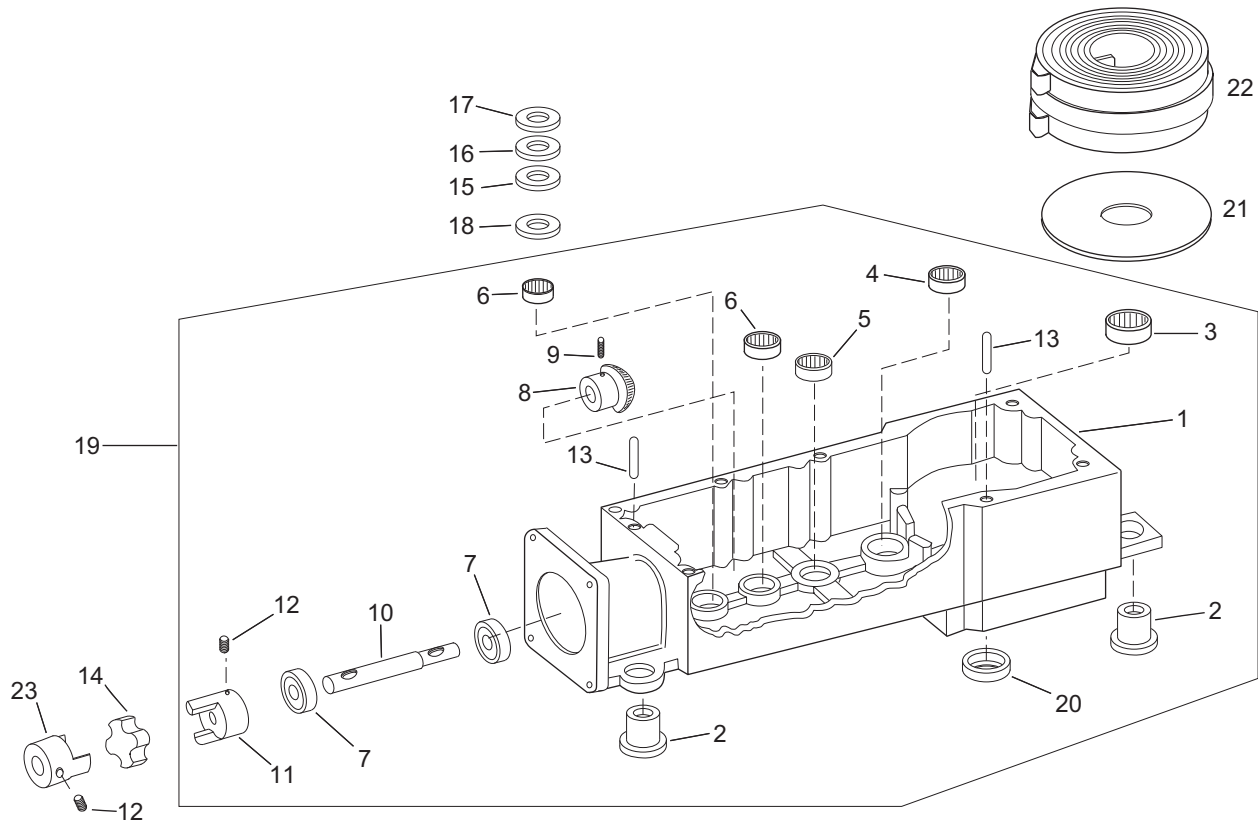


*These parts are included in Item #19.
**These parts are included in Item #21.
***These parts are included in Item #24.

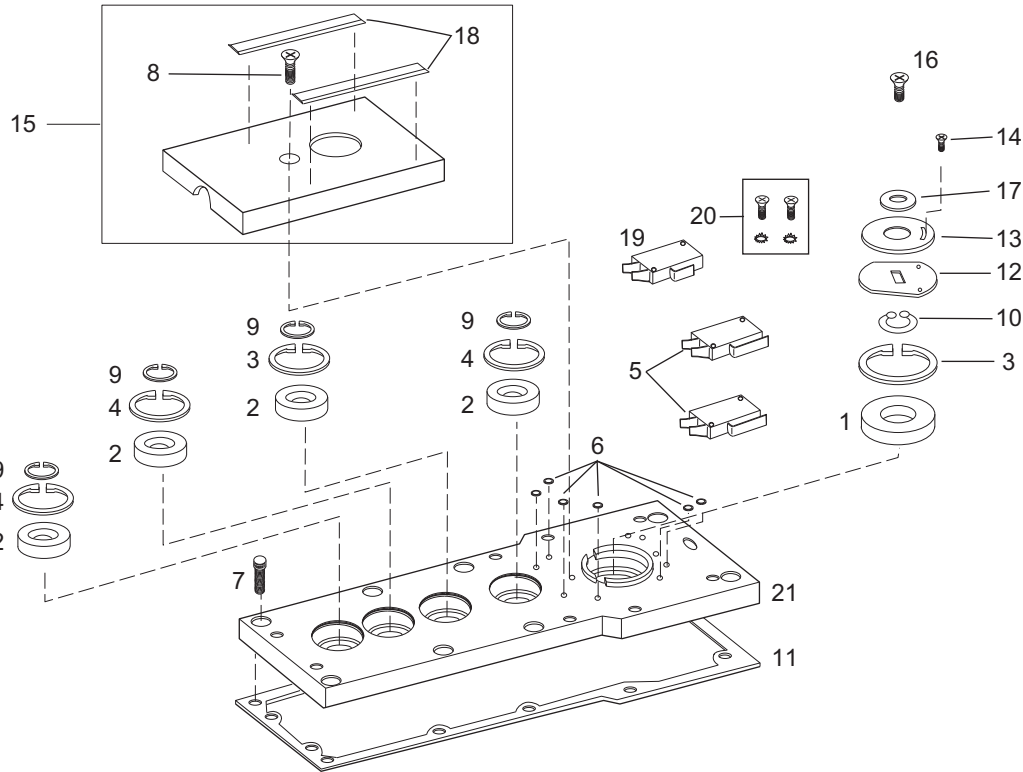
| Item | Part | Select Finish | Description |
|------|------------|---------------|--|
| 1 | 24-0101-0X | * | EXTRUSION, ALUM - SWING HEADER TOP |
| 2 | 24-0112-0X | * | EXTRUSION, ALUM - SIDE, SWING HEADER |
| 3 | 24-0555 | | MOUNT, CONTROL BOX |
| 4 | 21-0709 | | OPERATOR MOUNT FRAME ASSY |
| 5 | 24-0016-04 | | SCREW, SET 1/4-20 X 1/2, KNURL POINT |
| 6 | 24-0017-02 | | WASHER, 7/16 ID X 1 OD X .083 THK |
| 7 | 24-0021-15 | | HEX JAM NUT 3/8"-16 |
| 8 | 41-1512 | | CONTROL BOX - SC |
| | 41-2342 | | CONTROL BOX ASSY CSA |
| | 41-2208 | | CONTROL BOX FOR SLOW MODE OPER |
| | 41-3429 | | CONTROL SLOW MODE CSA |
| 9 | 22-1775 | | HARNESS, MAT |
| 10 | 22-0779 | | POWER HARNESS ASSY - SWINGER |
| 11 | 24-3425-01 | | TIME DELAY MODULE W/CLIP |
| 12 | 14-11435 | | PC-6 LOCK OUT RELAY (USE KIT #14-11807) |
| | 10-3505 | * | LOCKOUT MODULE, MODEL 850, TESTED |
| | 14-10062 | * | Do not use - see 11-12242 - MODULE SA-1 |
| 13 | 22-0570 | | OPERATOR SWITCH HARNESS SWGR-UL PRT |
| 14 | 24-0010-32 | | SCREW - SOCKET HEAD CAP #10-24 X 1/2 |
| 15 | 24-0011-02 | | SCREW - PHILLIPS HD MACH #10-24 X 1 |
| 16 | 14-3444-02 | | PROTECTIVE STRIP, BUMP ON 5-3/8" LONG |
| 17 | 22-4498 | | SWITCH, ASSY COVER - SWINGER |
| 18 | 11-2067 | | SOFT START KIT, 30 MF |
| | 11-3536 | | SUPER SOFT START KIT, 15 MF |
| 19 | 41-0024 | | OPERATOR ONLY - RH SWING - SC |
| | 41-0025 | | OPERATOR ONLY LH SWING - SC |
| 20 | 11-1390 | | SWING OPERATOR ASSY - RH |
| | 11-1391 | | SWING OPERATOR ASSY - LH |
| | 41-8987-06 | | ANTISLAM SWING OPERATOR W/SHORT FRAME RH |
| | 41-8987-05 | | ANTISLAM SWING OPERATOR W/SHORT FRAME LH |
| 21 | 22-0575 | | MOTOR & COUPLING SUB-ASSY - SWINGER |
| 22 | 24-0010-46 | | SCREW, SOCKET HEAD CAP #10-24 X 7/8" |
| 23 | 12-5522 | | DECAL KIT, SWING HEADER |
| 24 | 11-1552-01 | | SCREW, BAG ASSY - CU 204 |
| | 11-1552-02 | | SCREW, BAG ASSY - CU 313 |
| 25 | 12-2348 | | COVER COORDINATED TAPE PKG, CU - 204 |
| | 12-2349 | | COVER COORDINATED TAPE PKG, CU - 313 |
| 26 | 24-0062 | | COUPLING, SGL PART |
| 27 | 24-0016-02 | | SCREW, SET 1/4-20 X 5/16, KNURL POINT |
| 28 | 24-5188 | | COUPLING, SPYDER |
| 29 | 14-1290 | | COUPLING, DRIVE 10MM BORE |
| 30 | 24-1849 | | LOCK COVER PLATE - BOTTOM |
| 31 | 24-0140-0X | | CU SNAP IN DRESS PLATE (21.00 to 25.50) |
| | 24-0141-0X | | CU SNAP IN DRESS PLATE, (SEE CUTLIST) |
| | 24-0142-0X | | CU SNAP IN DRESS PLATE, (SEE CUTLIST) |
| | 24-0143-0X | | CU SNAP IN DRESS PLATE (34.69 to 39.19) |

| Item | Part | Select Finish | Description |
|------|------------|---------------|--|
| 32 | 24-0154-0X | | CU - SGL STRIKE BASE 3-1/4 |
| 33 | 24-0011-01 | | SCREW - PHILLIPS HD MACH #10-24 X 3/4 |
| | 24-0011-19 | | SCREW - PHILLIPS HD MACH #10-24 X 3/4 |
| 34 | 14-9199 | | NAMEPLATE, ADHESIVE BACKED |
| 35 | 22-1772-03 | | KEY SWITCH KS-14 3 POSITION |
| 36 | 10-3527 | | LE RS-11 ON/OFF RCKR SWITCH ASY W/FPLT |
| 37 | 10-3528 | | LE RS-12 ON/OFF/HLD OPN RCKR SWITCH ASY |
| 38 | 11-0941-0X | | PANIC LATCH ASSY KIT, CU |
| 39 | 14-10278 | | COVER, RAIN - ACUSENSOR |
| 40 | 14-8902-B | | ACUSENSOR 1B ASSY (With Wire Harness) |
| 41 | 14-6133 | | BRACKET, MOUNTING - PANIC LATCH |
| 42 | 24-0702-0X | | (OBSOLETE) COVER, PIECE - BRACKET |
| 43 | 24-9907-0X | | CU - END BRACKET |
| 44 | 22-1476-0X | | CU - BASE PIVOT SUB-ASSY, OUT F/G |
| | 22-1477-0X | | CU - BASE PIVOT SUB-ASSY, OUT NO F/G |
| | 22-1478-0X | | CU - BASE PIVOT SUB-ASSY, IN F/G |
| | 22-1479-0X | | CU - BASE PIVOT SUB-ASSY, IN NO F/G |
| 45 | 24-0017-38 | | WASHER, #10 X 3/8 OD X .031 THK, FIBER |
| 46 | 24-1010 | | DECAL, IN EMERGENCY PUSH TO OPEN-UL PRT |
| 47 | 24-0011-17 | | SCREW - SOCKET HD MACHINE #10-24 X 1 1/4 |
| | 24-0011-91 | | SCREW, PHILLIPS HD MACH #10-24 X 1 1/4" |
| 48 | 24-0011-03 | | SCREW - PHILLIPS HD MACH #10-24 X 1/2 |
| 49 | 12-1889-01 | | MOUNTING BRACKET FOR PANIC LATCH |
| | 12-1889-02 | | MOUNTING BRACKET FOR PANIC LATCH |
| 50 | 24-0011-09 | | SCREW - PHILLIPS HD MACH 1/4-20 X 1 |
| 51 | 24-4941-02 | | SCREW, PH FL HD 1/4-20 X 1" TRILOBE FORM |

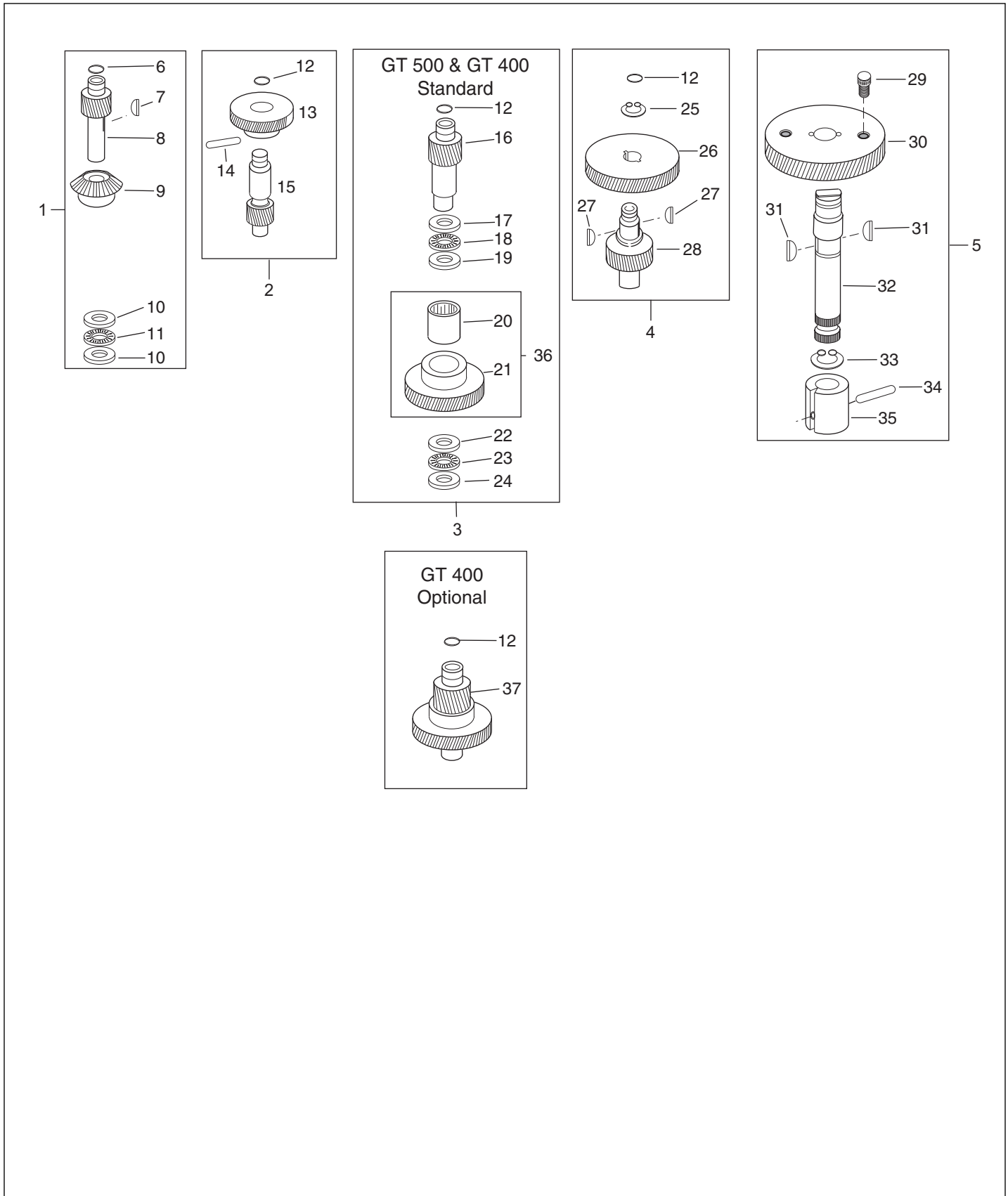




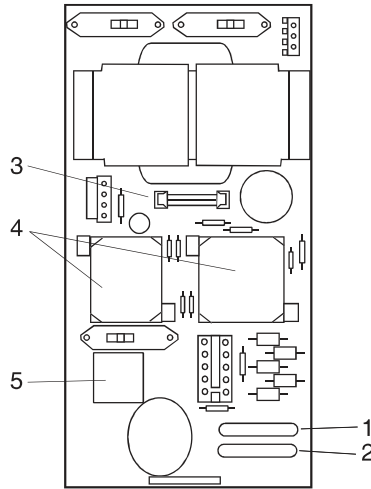
| Item | Part | Description |
|------|------------|--|
| 1 | 44-0392 | OPERATOR HOUSING SWINGER |
| 2 | 24-0433 | MOUNT, RUBBER |
| 3 | 24-0384 | BEARING, NEEDLE |
| 4 | 24-0415 | BEARING, NEEDLE |
| 5 | 24-0416 | BEARING, NEEDLE |
| 6 | 24-0417 | BEARING, NEEDLE |
| 7 | 24-0414 | BEARING, BALL |
| 8 | 24-0394 | GEAR PINION - SPIRAL BEVEL, SWING |
| 9 | 24-0020-25 | PIN, SPIROL 5/32 DIA X 13/16 LONG |
| 10 | 14-1141 | SHAFT, GEAR SWINGER PINION |
| 11 | 14-1290 | COUPLING, DRIVE 10MM BORE |
| 12 | 24-0016-02 | SCREW, SET 1/4-20 X 5/16, KNURL POINT |
| 13 | 24-0020-19 | PIN, DOWELL 1/4 DIA X 7/8 LONG |
| 14 | 24-5188 | COUPLING, SPYDER |
| 15 | 24-0441 | SHIM, 1/2 ID X 1 OD X .005 THICK |
| 16 | 24-0442 | "OBSOLETE" SHIM 1/2 ID X 1 OD X .003 TCK |
| 17 | 24-0443 | SHIM, 1/2 ID X 1 OD X .002 THICK |
| 18 | 14-2215 | WASHER, 1/2 ID X 1 OD X .010 THK |
| 19 | 42-0385 | OPERATOR SUB-ASSY SWINGER |
| 20 | 24-0008 | SEAL GARLOCK SWINGER |
| 21 | 24-0398 | WASHER, SPRING THRUST |
| 22 | 24-0399-01 | SPRING, POWER OPERATOR |
| 23 | 24-0062 | COUPLING, SGL PART |



| Item | Part | Description |
|------|------------|--|
| 1 | 24-0412 | BEARING, BALL |
| 2 | 24-0413 | BEARING, BALL |
| 3 | 24-0427 | RING, RETAINING |
| 4 | 24-0428 | RING, RETAINING |
| 5 | 24-0004 | MICROSWITCH |
| 6 | 24-0017-19 | WASHER, #4 X 1/4 OD X .062 THK NYLON |
| 7 | 24-0010-09 | SCREW, SOCKET HEAD CAP 1/4-20 X 3/4" |
| 8 | 24-0011-02 | SCREW - PHILLIPS HD MACH #10-24 X 1 |
| 9 | 24-0431 | RING, RETAINING |
| 10 | 24-0432 | RING, RETAINING |
| 11 | 24-0409 | USE PN -02 GASKET POWER OPERATOR - SWING |
| 12 | 24-2613 | FIXED CAM PANIC - SWINGER |
| 13 | 24-0396 | CAM, SWITCH - ADJ & FIXED, SWINGER |
| 14 | 24-0015-02 | RHMS, #6-32 X 1/4" PHIL |
| 15 | 22-4498 | SWITCH, ASSY COVER - SWINGER |
| 16 | 24-0011-03 | SCREW - PHILLIPS HD MACH #10-24 X 1/2 |
| 17 | 24-0397 | LOCK SWITCH CAM |
| 18 | 14-3444-02 | PROTECTIVE STRIP, BUMP ON 5-3/8" LONG |
| 19 | 14-3867 | MICROSWITCH, SHORT ARM |
| 20 | 24-3258-01 | SCREW, PH RD HD #4-40 X 3/4 W/#4 EXT WSR |
| 21 | 44-0382 | OPERATOR HOUSING COVER, SWGR, 2 SWITCH |



| Item | Part | Description |
|------|------------|--|
| 1 | 22-0391 | SHAFT, GEAR SUB-ASSY |
| 2 | 22-0390 | SHAFT, GEAR SUB-ASSY |
| 3 | 22-0388 | CLUTCH & GEAR SUB-ASSY RH |
| | 22-0389 | CLUTCH & GEAR ASSY LH |
| 4 | 22-0387 | SHAFT, GEAR SUB-ASSY |
| 5 | 22-0375 | GEAR W/ARBOR SUB-ASSY RH |
| | 22-0376 | GEAR W/ARBOR SUB-ASSY LH |
| 6 | 14-6186-01 | O-RING, D346 - .431 ID x .073 CROSS SECT |
| 7 | 24-1246-03 | WOODRUFF KEY, 1/8" X 1/2" |
| 8 | 24-0407 | GEAR #8, POWER OPERATOR |
| 9 | 24-0393-01 | GEAR SPIRAL BEVEL |
| 10 | 24-0421 | BEARING, THRUST - RACE (BULK PACK) |
| 11 | 24-0418 | BEARING, THRUST |
| 12 | 14-6186-01 | O-RING, D346 - .431 ID x .073 CROSS SECT |
| 13 | 24-0406 | GEAR #7, POWER OPERATOR |
| 14 | 24-0020-24 | PIN, SPIROL 3/16 DIA X 1-1/4L.-UL PART |
| 15 | 24-0405 | GEAR #6, POWER OPERATOR |
| 16 | 24-0403 | GEAR #4, POWER OPERATOR |
| 17 | 24-0423 | BEARING, THRUST - RACE |
| 18 | 24-0420 | BEARING, THRUST (BULK PACK) |
| 19 | 24-0424 | BEARING, THRUST - RACE TRA-1220 |
| 20 | 24-0426 | BEARING, CLUTCH NEEDLE |
| 21 | 24-0404 | GEAR #5, POWER OPERATOR |
| 22 | 24-0425 | BEARING, THRUST - RACE |
| 23 | 24-0419 | BEARING, THRUST |
| 24 | 24-0422 | BEARING, THRUST - RACE |
| 25 | 24-0430 | RING, RETAINING |
| 26 | 24-0402 | GEAR #3, POWER OPERATOR |
| 27 | 24-1246-03 | WOODRUFF KEY, 1/8" X 1/2" |
| 28 | 24-0401 | GEAR #2, POWER OPERATOR |
| 29 | 24-0010-02 | SCREW, SOCKET HEAD CAP 3/8-24 X 1/2"CAD |
| 30 | 24-0400 | GEAR #1, POWER OPERATOR |
| 31 | 24-1246-02 | WOODRUFF KEY, 3/16" X 5/8" |
| 32 | 24-0383 | SHAFT, SPRING & GEAR - CENTER SWING |
| 33 | 24-0432 | RING, RETAINING |
| 34 | 24-0020-10 | PIN, ROLL 1/4 DIA X 1-1/4 LONG |
| 35 | 24-0377 | SPRING, SHAFT SWINGER 1-1/4" ID |
| 36 | 12-1293 | GEAR & CLUTCH SUB-ASSY - RH |
| | 12-1294 | GEAR & CLUTCH ASSY - LH |
| 37 | 22-9004 | WELDED CLUTCH GEAR ASSY OF 4 & 5 |



| Item | Part | Description |
|---------|---------|--|
| 1 | 10-1250 | RESISTOR, 20 OHM - 12 WATT |
| | 14-1465 | RESISTOR, 100 OHM - 10 WATT (or 12 W) |
| | 14-1466 | RESISTOR, 125 OHM - 12 WATT |
| | 14-1467 | RESISTOR, 150 OHM - 12 WATT |
| | 10-1251 | RESISTOR, 200 OHM -12 WATT |
| | 14-1044 | RESISTOR, 50 OHM - 12 WATT |
| | 24-1045 | RESISTOR, 75 OHM |
| | 2 | 14-1462 |
| 14-1463 | | RESISTOR, 15 OHM - 12 WATT |
| 10-1250 | | RESISTOR, 20 OHM - 12 WATT |
| 3 | 10-0451 | FUSE, BUSS GLH-8 |
| 4 | 10-1151 | RELAY, 24 VDC - 3 PDT |
| | 10-1153 | RELAY, DPDT, 48VDC, 10AMP |
| 5 | 10-1153 | RELAY, DPDT, 48VDC, 10AMP |
| | 21-2915 | RELAY SOCKET W/JUMPER STANDARD MODE ONLY |