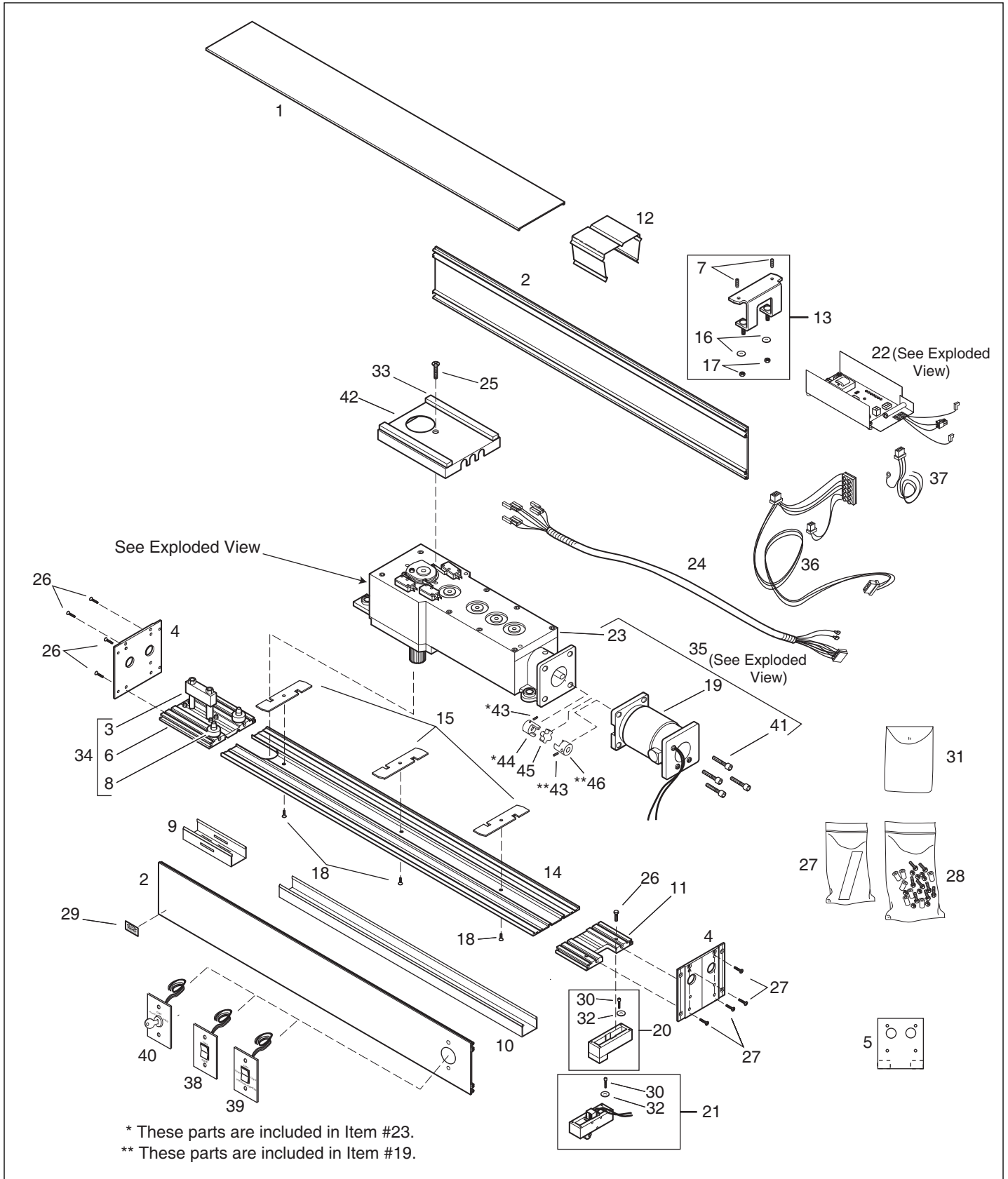


Section G3
GT300 OHC, Magnum 2, 3 &4 Control, Single

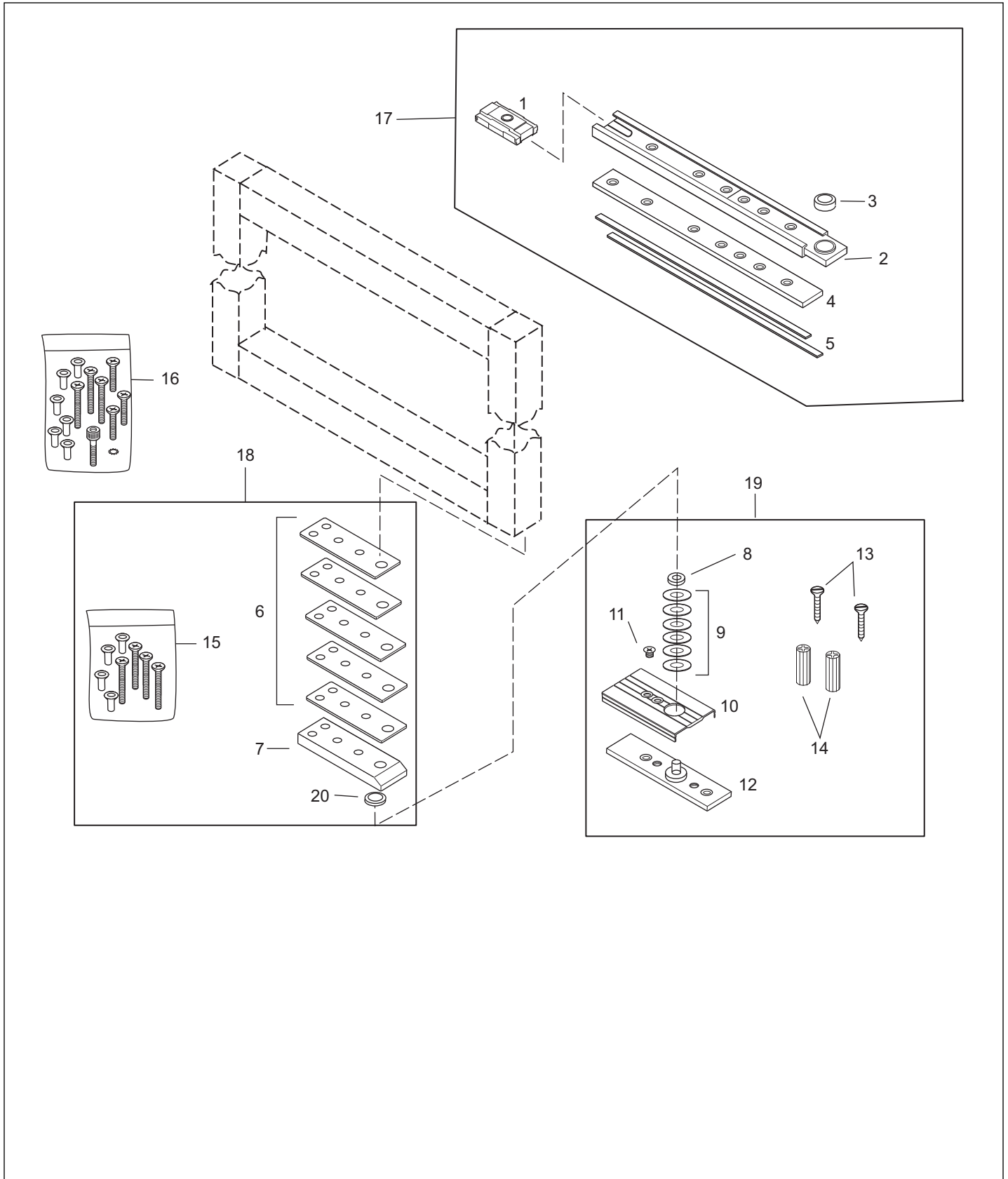
One Piece Header	3-7
Pivots	8-9
Operator	10-14
Control Board	15

This Page Intentionally Left Blank

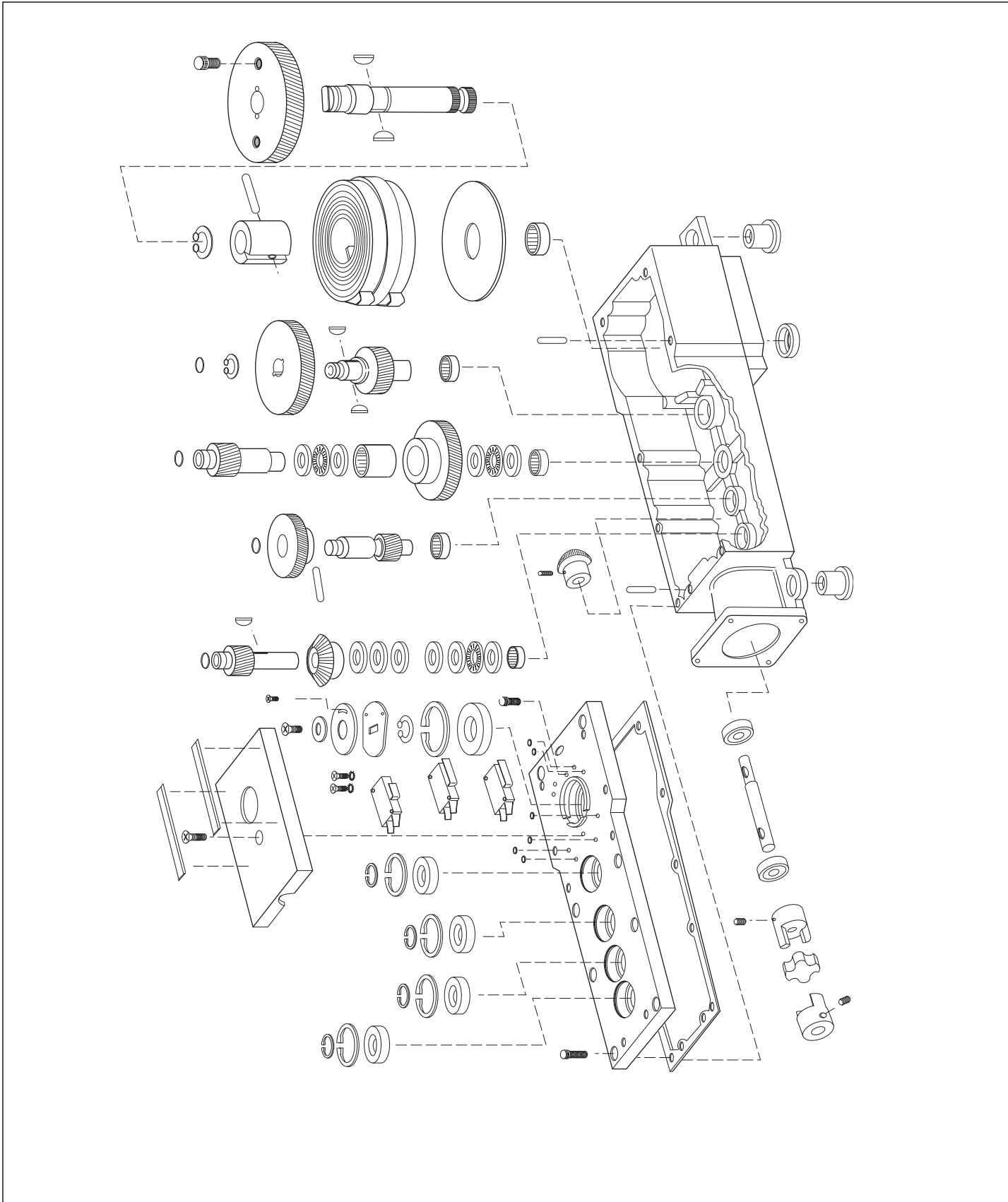


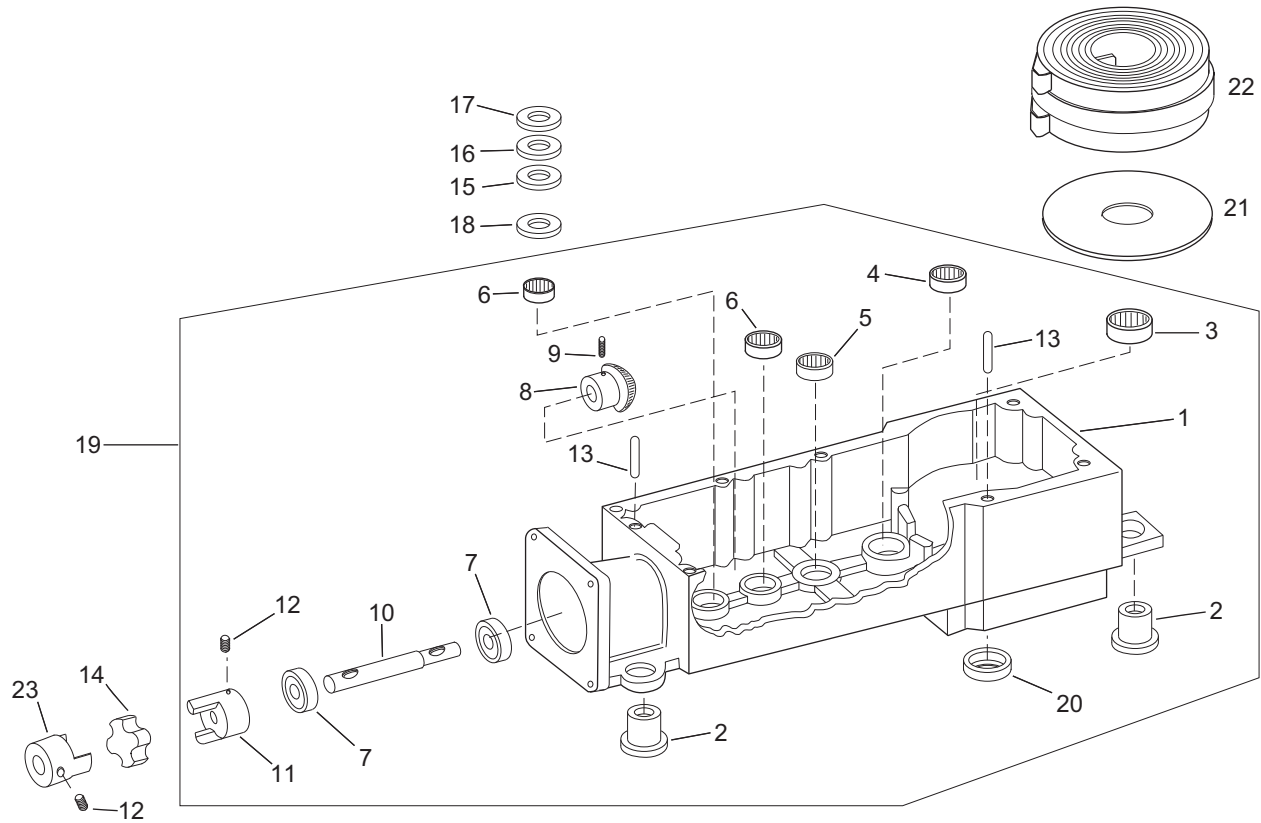
Item	Part	Description
1	24-0101-0X	EXTRUSION, ALUM - SWING HEADER TOP
2	24-0112-0X	EXTRUSION, ALUM - SIDE, SWING HEADER
3	21-0750	TOP PIVOT ASSY
4	24-1523-0X	SWING HEADER END CAP
5	24-1773	JAMB DRILLING TEMPLATE
6	22-1474-0X	OHC BASE PIVOT ASSY FGR GUARD-UL PART
	22-1475-0X	OHC BASE PIVOT ASSY NO FGR GD-UL PART
7	24-0016-04	SCREW, SET 1/4-20 X 1/2, KNURL POINT
8	24-0701	PIN, OPERATOR - BASE, HOUSING
	24-3169	OPERATOR PIN MODIFIED
9	24-0160-0X	OHC - SNAP IN CHANNEL PIVOT SIDE NO F/G
	24-0161-0X	OHC - SNAP IN CHANNEL PIVOT SIDE F/G
10	24-0159-0X	EXTRUSION, ALUM - SNAP IN DRESS CHANNEL
11	24-0158-0X	OHC - SGL STRIKE BASE 3-1/4
12	24-0555	MOUNT, CONTROL BOX
13	21-0709	OPERATOR MOUNT FRAME ASSY
14	24-0135-0X	OHC SNAP IN DRESS PLATE (34.69 to 39.19)
	24-0136-0X	OHC SNAP IN DRESS PLATE (39.25 to 43.75)
	24-0137-0X	OHC SNAP IN DRESS PLATE (43.81 to 48.31)
15	24-1849	LOCK COVER PLATE - BOTTOM
16	24-0017-02	WASHER, 7/16 ID X 1 OD X .083 THK
17	24-0021-15	HEX JAM NUT 3/8"-16
18	24-0011-01	SCREW - PHILLIPS HD MACH #10-24 X 3/4
	24-0011-19	SCREW - PHILLIPS HD MACH #10-24 X 3/4
19	22-0575	MOTOR & COUPLING SUB-ASSY - SWINGER
20	21-0741-0X	OHC - DOOR STOP ASSY - NON PANIC
21	11-0930-0X	PANIC LATCH ASSY KIT, OHC-UL PART
22	12-10292-04	MAGNUM BOARD IV & CHASIS ASSY
23	41-0024	OPERATOR ONLY - RH SWING - SC
	41-0025	OPERATOR ONLY LH SWING - SC
24	21-9934	MICROSWITCH WIRING HARNESS, MAGNUM
25	24-0011-02	SCREW - PHILLIPS HD MACH #10-24 X 1
26	24-4941-02	SCREW, PH FL HD 1/4-20 X 1" TRILOBE FORM
27	12-2350	COVER COORDINATED TAPE PKG, OHC - 204
	12-2351	COVER COORDINATED TAPE PKG, OHC - 313
28	12-1339	SCREW, BAG ASSY - OHC
29	14-9199	NAMEPLATE, ADHESIVE BACKED
30	24-0010-01	SHCS, 10-24 X 7/8 CAD-UL PART
31	12-5522	DECAL KIT, SWING HEADER
32	24-0018-01	WASHER, .194 ID .334 OD .047 THK-UL PART
33	14-3444-02	PROTECTIVE STRIP, BUMP ON 5-3/8" LONG

Item	Part	Select Finish	Description
34	21-1590		OHC - TOP PIVOT/BASE ASY NO F/G 204-UL P
	21-1591		OHC - TOP PIVOT/BASE ASY NO F/G 313-UL P
	21-1592		OHC - TOP PIVOT/BASE ASY NO F/G BLK-UL P
	21-1593		OHC - TOP PIVOT/BASE ASSY F/G 204-UL PRT
	21-1594		OHC - TOP PIVOT/BASE ASSY F/G 313-UL PRT
	21-1595		OHC - TOP PIVOT/BASE ASSY F/G BLK-UL PRT
	35	41-8987-07	
41-8987-08			MAGNUM SWINGER OPERATOR RH
41-8987-09			MAGNUM SWINGER OPERATOR LH W/CLUTCH
41-8987-10			MAGNUM SWINGER OPERATOR RH W/CLUTCH
36	22-10065		HARNESS ASSY - MAGNUM
37	21-9933		WIRING HARNESS MAGNUM BOARD, POWER
38	10-3527		LE RS-11 ON/OFF RCKR SWITCH ASY W/FPLT
39	10-3528		LE RS-12 ON/OFF/HLD OPN RCKR SWITCH ASY
40	22-1772-03		KEY SWITCH KS-14 3 POSITION
41	24-0010-46		SCREW, SOCKET HEAD CAP #10-24 X 7/8"
42	22-4498		SWITCH, ASSY COVER - SWINGER
43	24-0016-02		SCREW, SET 1/4-20 X 5/16, KNURL POINT
44	14-1290		COUPLING, DRIVE 10MM BORE
45	24-5188		COUPLING, SPYDER
46	24-0062		COUPLING, SGL PART

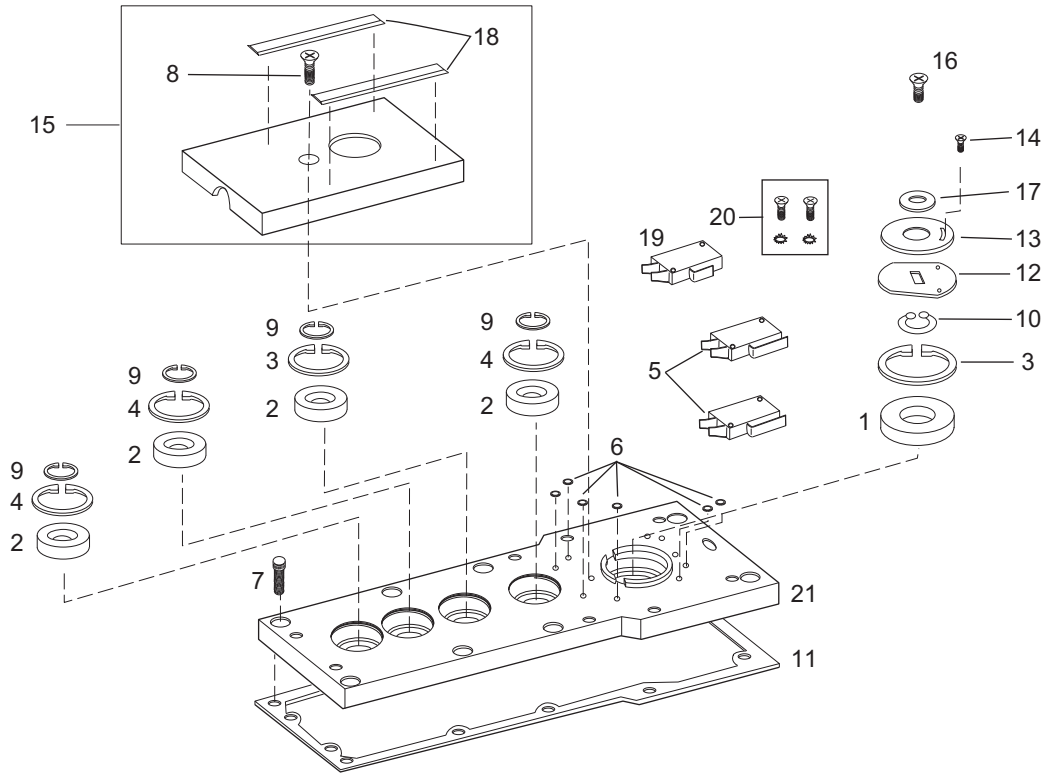


Item	Part	Select Finish	Description
1	21-5371		BLOCK, SLIDE - ASSY
2	22-2134		TRACK, W/TOP PIVOT BLOCK OHC
3	14-0771		BEARING, 1/2" X 3/4" X 5/8" WIDE
4	24-0507		BLOCK - SPACER 3/8
5	24-0743		SLIDE SPACER, 5/8" TRACK
6	24-0748		OHC - SPACER, BASE PIVOT
7	24-0747		OHC - BASE PIVOT
8	24-0029		PIVOT BASE - SELF ALIGNER-UL PART
9	24-0017-08		WASHER, 7/16 ID, 31/32 OD, .031 THK-UL PRT
10	24-0742		COVER - PLATE THRESHOLD 5-1/4-UL PART
11	24-0011-70		SCREW, PH HD MACH 1/4-20 X 7/16 UND ZP
12	22-2049		BASE PIVOT SHAFT SUB-ASSY OHC-UL PART
13	24-0031-04		FHMS, 14 X 1 1/2" SLOT, TYPE A-UL PART
14	14-1018		ANCHOR - PLASTIC #14 X 1 BLUE-UL PART
15	14-0571		RIVNUT, 1/4" - 20 TAPPED - ALUMINUM
	24-0011-10		SCREW - PHILLIPS HD MACH 1/4-20 X 2
16	12-3398		SCREW, BAG ASSY - OHC TRACK
	14-3880		TEMPLATE, PREP-DOOR LEAF
	14-0571		RIVNUT, 1/4" - 20 TAPPED - ALUMINUM
	24-0011-10		SCREW - PHILLIPS HD MACH 1/4-20 X 2
	24-0011-16		SCREW - PHILLIPS HD MACH 1/4-20 X 1 1/2 UND
	24-0010-25		SCREW, SOCKET HEAD CAP 1/4-20 X 1 1/2"
	24-0019-05		WASHER, EXT. 1/4
17	21-0925		OHC TRACK ASSY WITH SCREW BAG ASSY
18	21-0098		BTTM PIVOT ASSY, DOOR PORTION, SWG DOOR
19	21-0926		BTM PIVOT ASSY, FLOOR PORTION-UL PART
20	14-0097		BEARING, BALL - 1.049 X .440

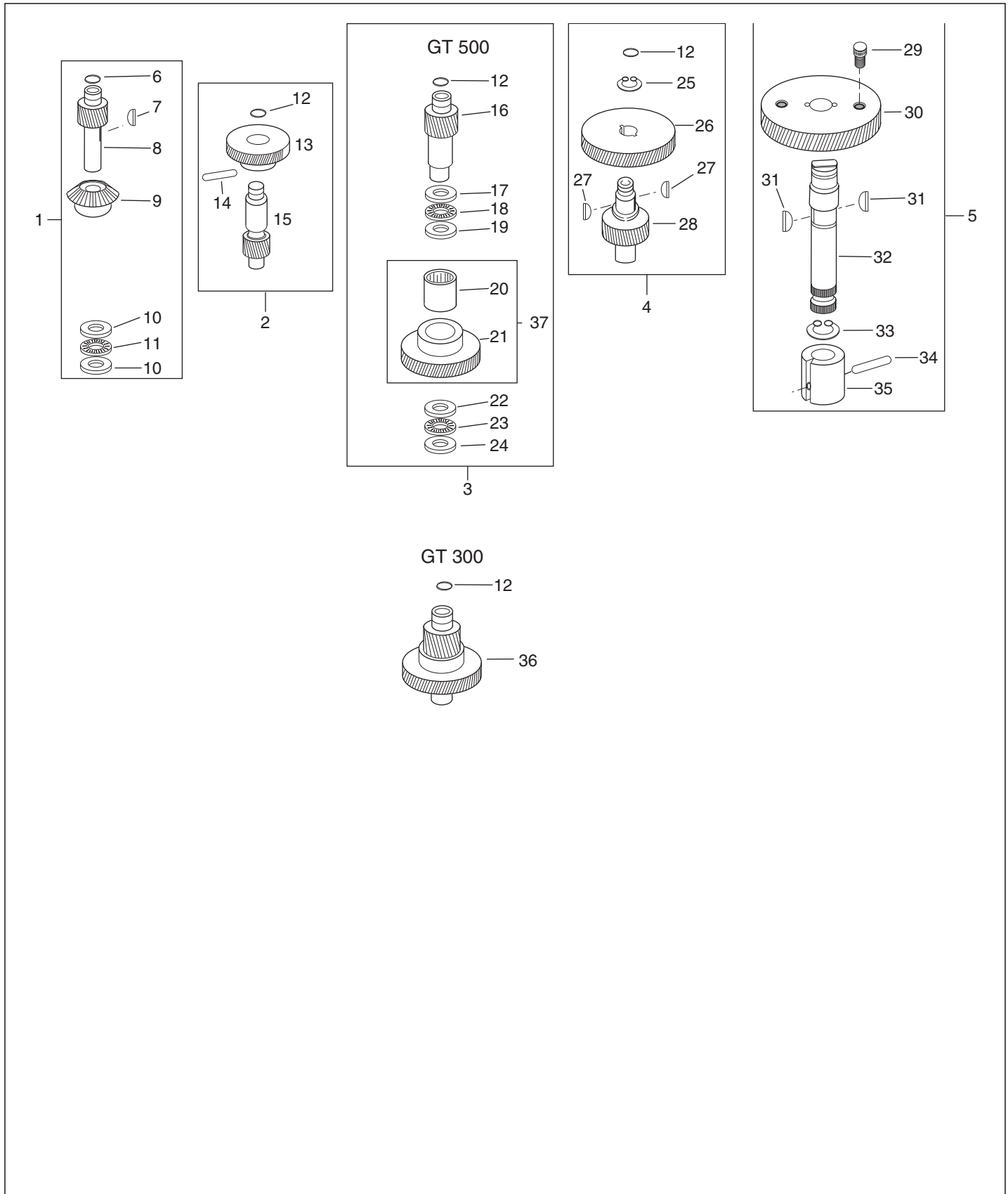




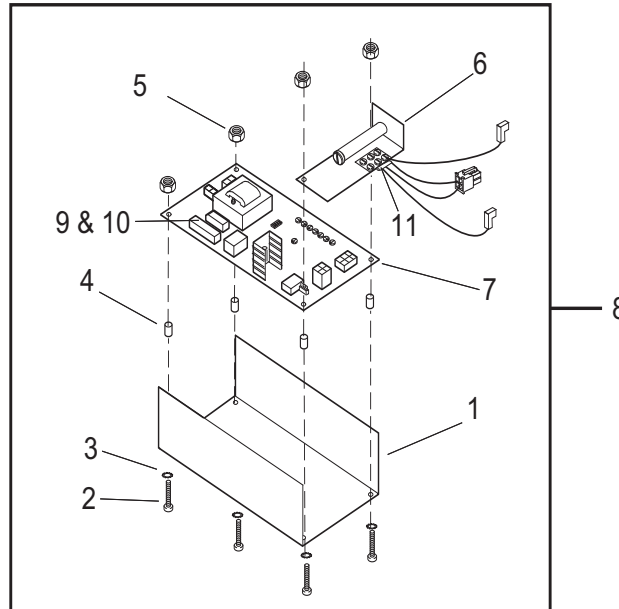
Item	Part	Description
1	44-0392	OPERATOR HOUSING SWINGER
2	24-0433	MOUNT, RUBBER
3	24-0384	BEARING, NEEDLE
4	24-0415	BEARING, NEEDLE
5	24-0416	BEARING, NEEDLE
6	24-0417	BEARING, NEEDLE
7	24-0414	BEARING, BALL
8	24-0394	GEAR PINION - SPIRAL BEVEL, SWING
9	24-0020-25	PIN, SPIROL 5/32 DIA X 13/16 LONG
10	14-1141	SHAFT, GEAR SWINGER PINION
11	14-1290	COUPLING, DRIVE 10MM BORE
12	24-0016-02	SCREW, SET 1/4-20 X 5/16, KNUURL POINT
13	24-0020-19	PIN, DOWELL 1/4 DIA X 7/8 LONG
14	24-5188	COUPLING, SPYDER
15	24-0441	SHIM, 1/2 ID X 1 OD X .005 THICK
16	24-0442	"OBSOLETE" SHIM 1/2 ID X 1 OD X .003 TCK
17	24-0443	SHIM, 1/2 ID X 1 OD X .002 THICK
18	14-2215	WASHER, 1/2 ID X 1 OD X .010 THK
19	42-0385	OPERATOR SUB-ASSY SWINGER
20	24-0008	SEAL GARLOCK SWINGER
21	24-0398	WASHER, SPRING THRUST
22	24-0399-01	SPRING, POWER OPERATOR
23	24-0062	COUPLING, SGL PART



Item	Part	Description
1	24-0412	BEARING, BALL
2	24-0413	BEARING, BALL
3	24-0427	RING, RETAINING
4	24-0428	RING, RETAINING
5	24-0004	MICROSWITCH
6	24-0017-19	WASHER, #4 X 1/4 OD X .062 THK NYLON
7	24-0010-09	SCREW, SOCKET HEAD CAP 1/4-20 X 3/4"
8	24-0011-02	SCREW - PHILLIPS HD MACH #10-24 X 1
9	24-0431	RING, RETAINING
10	24-0432	RING, RETAINING
11	24-0409	USE PN -02 GASKET POWER OPERATOR - SWING
12	24-2613	FIXED CAM PANIC - SWINGER
13	24-0396	CAM, SWITCH - ADJ & FIXED, SWINGER
14	24-0015-02	RHMS, #6-32 X 1/4" PHIL
15	22-4498	SWITCH, ASSY COVER - SWINGER
16	24-0011-03	SCREW - PHILLIPS HD MACH #10-24 X 1/2
17	24-0397	LOCK SWITCH CAM
18	14-3444-02	PROTECTIVE STRIP, BUMP ON 5-3/8" LONG
19	14-3867	MICROSWITCH, SHORT ARM
20	24-3258-01	SCREW, PH RD HD #4-40 X 3/4 W/#4 EXT WSR
21	44-0382	OPERATOR HOUSING COVER, SWGR, 2 SWITCH



Item	Part	Description
1	22-0391	SHAFT, GEAR SUB-ASSY
2	22-0390	SHAFT, GEAR SUB-ASSY
3	22-0388	CLUTCH & GEAR SUB-ASSY RH
	22-0389	CLUTCH & GEAR ASSY LH
4	22-0387	SHAFT, GEAR SUB-ASSY
5	22-0375	GEAR W/ARBOR SUB-ASSY RH
	22-0376	GEAR W/ARBOR SUB-ASSY LH
6	14-6186-01	O-RING, D346 - .431 ID x .073 CROSS SECT
7	24-1246-03	WOODRUFF KEY, 1/8" X 1/2"
8	24-0407	GEAR #8, POWER OPERATOR
9	24-0393-01	GEAR SPIRAL BEVEL
10	24-0421	BEARING, THRUST - RACE (BULK PACK)
11	24-0418	BEARING, THRUST
12	14-6186-01	O-RING, D346 - .431 ID x .073 CROSS SECT
13	24-0406	GEAR #7, POWER OPERATOR
14	24-0020-24	PIN, SPIROL 3/16 DIA X 1-1/4L.-UL PART
15	24-0405	GEAR #6, POWER OPERATOR
16	24-0403	GEAR #4, POWER OPERATOR
17	24-0423	BEARING, THRUST - RACE
18	24-0420	BEARING, THRUST (BULK PACK)
19	24-0424	BEARING, THRUST - RACE TRA-1220
20	24-0426	BEARING, CLUTCH NEEDLE
21	24-0404	GEAR #5, POWER OPERATOR
22	24-0425	BEARING, THRUST - RACE
23	24-0419	BEARING, THRUST
24	24-0422	BEARING, THRUST - RACE
25	24-0430	RING, RETAINING
26	24-0402	GEAR #3, POWER OPERATOR
27	24-1246-03	WOODRUFF KEY, 1/8" X 1/2"
28	24-0401	GEAR #2, POWER OPERATOR
29	24-0010-02	SCREW, SOCKET HEAD CAP 3/8-24 X 1/2"CAD
30	24-0400	GEAR #1, POWER OPERATOR
31	24-1246-02	WOODRUFF KEY, 3/16" X 5/8"
32	24-0383	SHAFT, SPRING & GEAR - CENTER SWING
33	24-0432	RING, RETAINING
34	24-0020-10	PIN, ROLL 1/4 DIA X 1-1/4 LONG
35	24-0377	SPRING, SHAFT SWINGER 1-1/4" ID
36	22-9004	WELDED CLUTCH GEAR ASSY OF 4 & 5
37	12-1293	GEAR & CLUTCH SUB-ASSY - RH
	12-1294	GEAR & CLUTCH ASSY - LH



Item	Part	Description
1	24-8686	CHASSIS, CONTROL
2	24-0012-13	SCREW - PHLLP PAN HD MACH #10-24 X 1 1/4
3	24-0019-06	WASHER, EXT. #10
4	14-8743	SPACER - NYLON #10 X 5/8 3/8 OD
5	24-0021-04	HEX NUT #10-24
6	11-10280	BRAKE MODULE-MOTOR HARNESS ASSY-SWINGER
7	24-9800-04	MAGNUM CONTROL BOARD-04
8	12-10292	MAG BOARD II & CHASIS / USE 12-10292-04
9	14-10015	FUSE COVER
10	10-0459	FUSE, 3A, 3AG
11	14-11862	FUSE, 5 AMP, MAGNUM 2, 3 OR 4 CONTROL
	14-9470	FUSE, 5 AMP, MAGNUM 4A CONTROL