

Section E3
GT 1175 Fixed Sidelight

One Piece Header 3-5

Operator 6

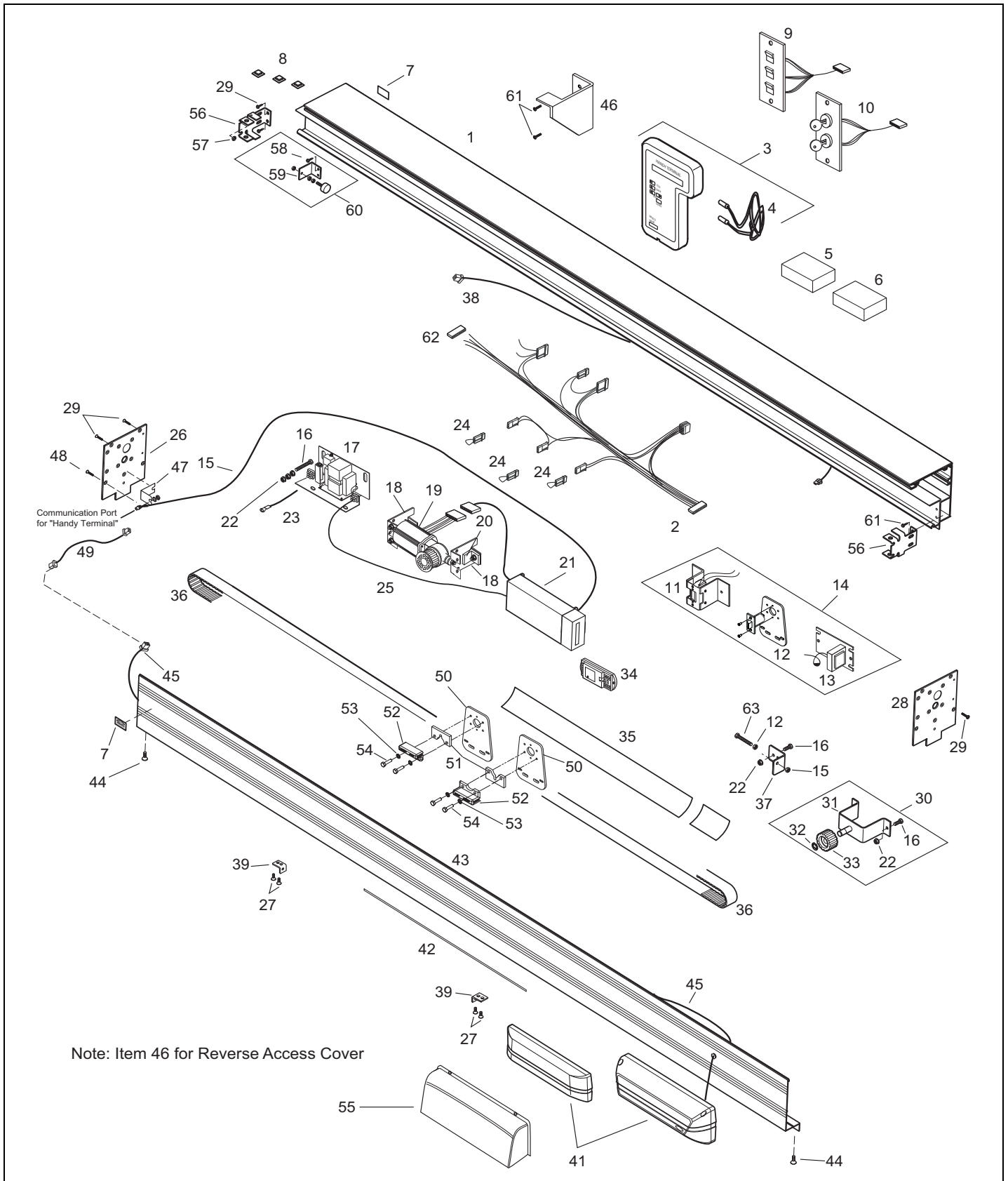
Door Panels 7

Right Hand Door Panel 8-10

Left Hand Door Panel 11-12

Fixed Panel 13-14

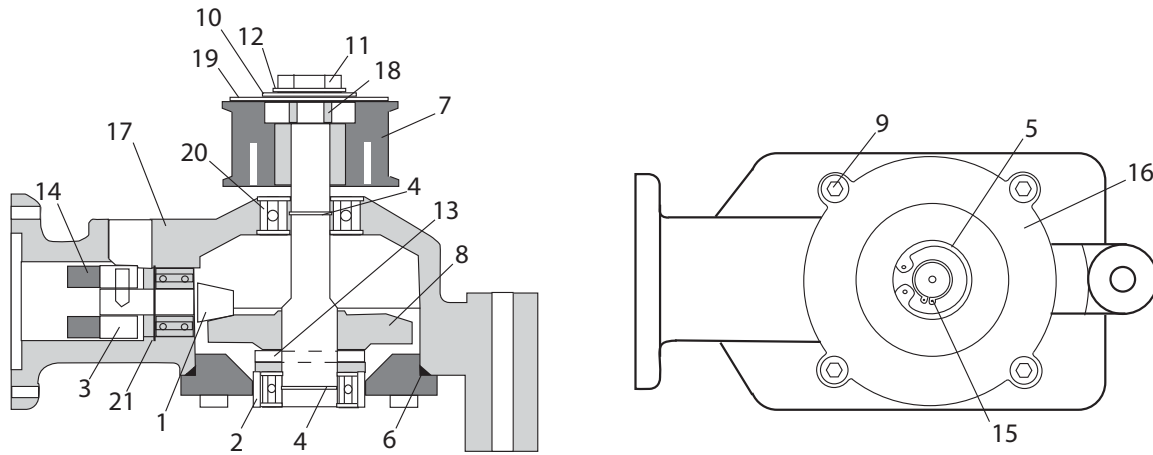
This Page Intentionally Left Blank



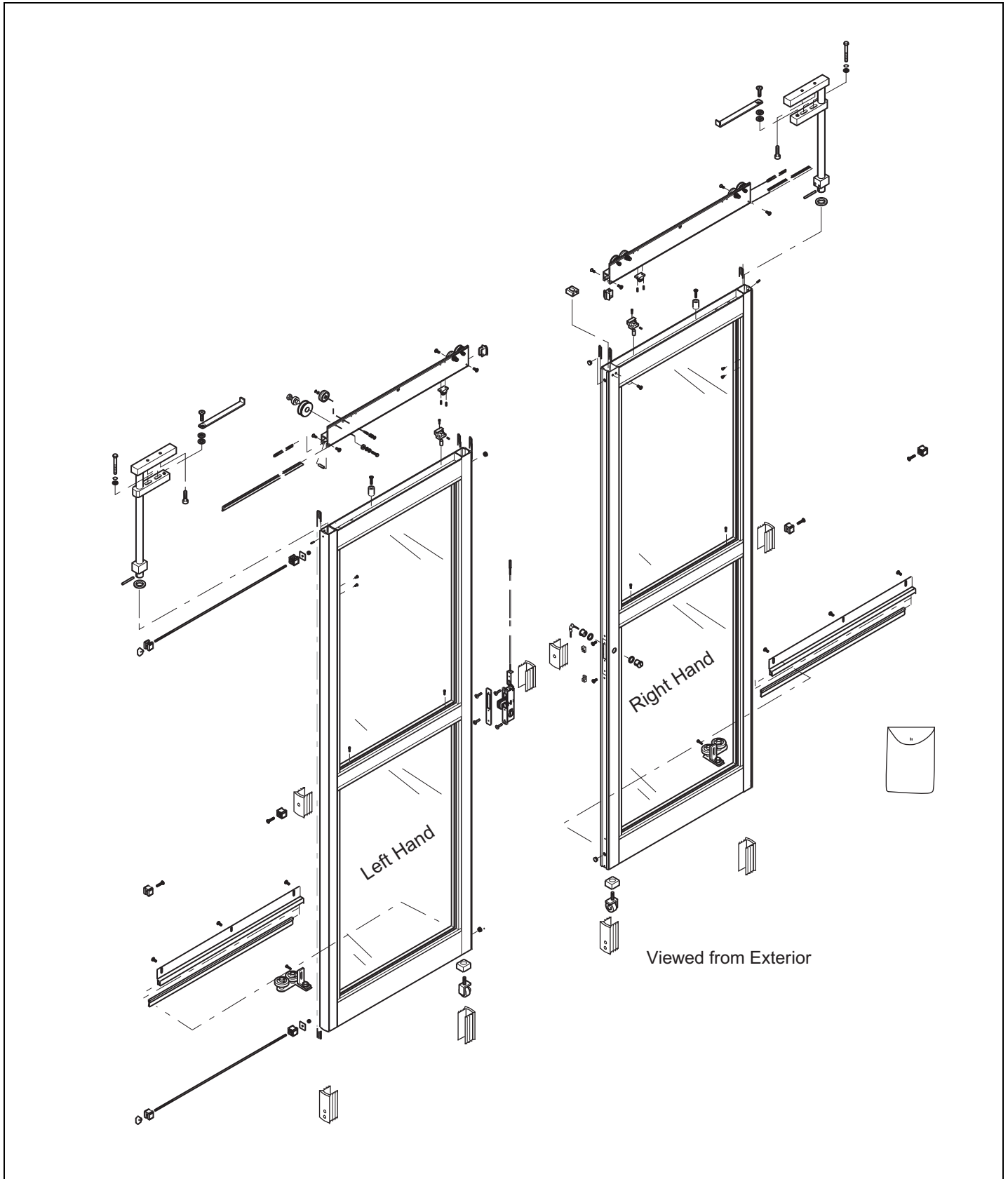
Item	Part	Select Finish	Description
1	Header		Contact NABCO - See Note Below
2	24-11877		MAIN HARNESS, U30 CONTROL
3	14-8903		HANDY TERMINAL ASSY
4	14-8903-99		CABLE, HANDY TERMINAL
5	21-9249		LH FIXED SIDELIGHT PARTS BOX, 1175
6	21-9250		RH FIXED SIDELIGHT PARTS BOX, 1175
7	14-9199		NAMEPLATE, ADHESIVE BACKED
8	24-9442		TIE MOUNT ADHESIVE BACKED
9	14-11875-03		SWITCH - ROCKER - U30, NABCO
10	14-11876		SWITCH - KEY - U30
11	22-10522-03		VON DUPRIN FAIL SEC ELE STRIKE SUB ASSY
	22-10522-04		VON DUPRIN FAIL SAFE ELE STRIKE SUB ASSY
12	14-12104-10		BELT BRACKET, ELECTRIC LOCK ASSEMBLY
	14-12104-20		BELT BRACKET, ELECTRIC LOCK ASSEMBLY
13	22-12170		TRANSFORMER & RELAY MOUNTING SUB-ASSY
14	21-10471-03		VON DUPRIN FAIL SECURE ELEC LOCK KIT U30
	21-10471-04		VON DUPRIN FAIL SAFE ELEC LOCK KIT U30
	14-10905-10		INSTALLATION KIT - MAG LOCK - 1175 SGL
	14-10905-20		INSTALLATION KIT - MAG LOCK - 1175 BI
15	14-11837		HARNESS, HANDY TERMINAL U-30 78.75"L
16	24-0014-06		HHCS,3/8-16 X 1 1/2"
17	14-11741		POWER SUPPLY, DS-150NA/U30
18	24-11329		BRACKET, MOTOR SUPPORT - 1175 DS150
19	24-11327		OPERATOR - DS-150 NA
20	14-12094		MOUNTING BRACKET, STIFFENER DS150
21	24-8901-30		CONTROLLER MICROPROCESSOR - U30
22	24-0021-21		NUT, WHIZLOCK, 3/8-16, ZINC
23	14-11872		GROUND WIRE, DS150
24	12-10324		BREAKOUT JUMPER
25	14-11874		POWER HARNESS DS150
26	24-13282-2X	★	ENDCAP, HEADER, 1175, LEFT HAND, 204
27	24-0010-05		SCREW - SOCKET HEAD CAP 1/4-20 X 1/2
28	24-13282-1X	★	ENDCAP, HEADER, 1175, RIGHT HAND, 204
29	24-4941-02		SCREW, PH FL HD 1/4-20 X 1" TRILOBE FORM
	24-4941-04		SCREW, PH FL HD 1/4-20 X 1" F/B BL ZINC
30	22-9210		IDLER ASSY
31	22-9026		WELDMENT, IDLER - 1175
32	24-0431		RING, RETAINING
33	11-11701		IDLER PULLEY ASSEMBLY
34	14-9710-03		OPTEX CONTROL BOX ONLY OS-12C
	14-9710-04		(1-SET) OPTEX BEAM WITH EXTENSION CABLE
	14-9710-01		(1-SET) OPTEX BEAM & CNTRL
35	14-9115-01		PLASTIC SHEET, .03 X 2.750 X 48
	14-9115-02		PLASTIC SHEET, .03 X 2.875 X 48

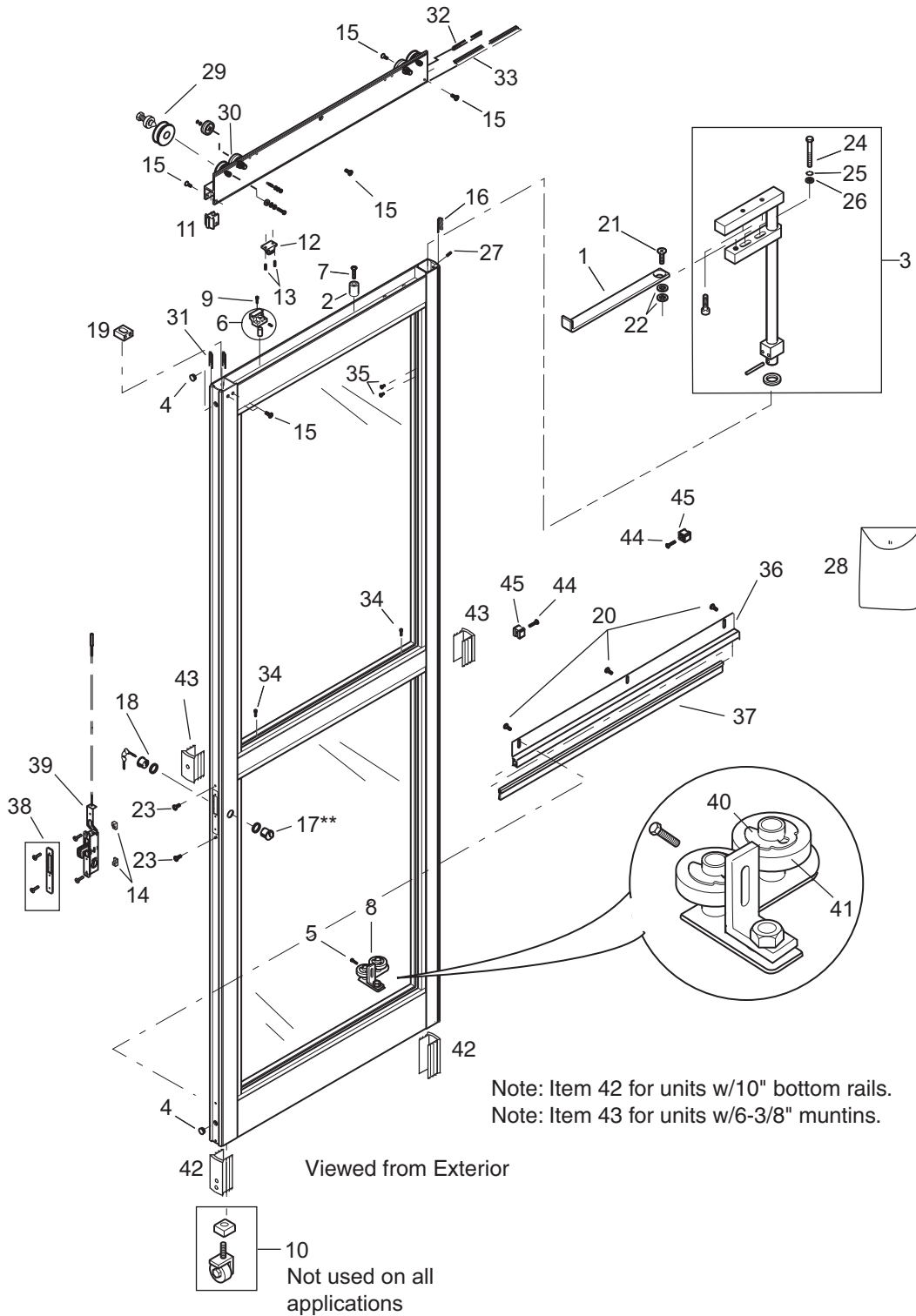
Note: Machining may vary depending on an age of the product. Have the original order number available when contacting NABCO if possible.

Item	Part	Select Finish	Description
36	14-0795		TIMING BELT 1/2" PITCH X 3/4" WIDE
37	24-9027		IDLER TENSIONER BRKT (Assy is P/N 215990
38	22-9220-01		BREAK OUT SWITCH HARNESS EXTENSION 90IN
	22-9220-02		BREAK OUT SWITCH HARNESS EXTENSION 35IN
39	14-11420		BRACKET, MOUNTING
40	24-0011-13		SCREW - PHILLIPS HD MACH 1/4-20 X 3/4
41	14-8902-3		ACUSENSOR 3 ASSY (With Wire Harness)
	14-13036		OPTEX I-ONE SENSOR ACTIVE INFRARED BLACK
42	14-2279-05		PILE WEATHERING, BLK - ADHESIVE BACKED
43	24-9092-0X		COVER CUT TO USE EXTR 24-9011-01 204
44	24-4941-14		SCREW, PH FL HD #8-32 X 5/8" TYPE F
	24-4941-20		SCREW, PH FL HD #8-32X5/8" TYPE F BL ZN
45	22-9184		HARNESS, ACUSENSOR 1A & 2
46	24-13741		BRACKET, HEADER COVER, 1175
47	14-9038		BRACKET, CONNECTOR - HANDY TERMINAL
48	24-0011-96		SCREW - PHILLIPS HD MACH 1/4-20 X 3/4
	24-0011-13		SCREW - PHILLIPS HD MACH 1/4-20 X 3/4
49	22-9267-01		ACUSENSOR EXT HARNESS 48IN
	22-9267-02		ACUSENSOR EXT HARNESS 24IN
50	14-11871		BRACKET, BELT,1175
51	14-11870		SPACER, BELT CLIP, 1175
52	24-11493		CLIP, BELT
53	24-0019-05		WASHER,EXT.1/4
54	24-0014-02		HHCS,1/4-20 X 3/4
55	14-13783		RAIN COVER, WIZARD-ACUSENSOR3
	14-13796		RAIN COVER, i - ONE SENSOR
56	24-9022		BRACKET, END CAP - LOWER
57	24-0021-27		SQUARE NUT 1/4"-20
58	24-0014-30		HHCS,#14 X 3/4 SELF DR TP
59	14-9078		BRACKET, DOOR STOP
60	14-9079		DOOR STOP ASSY, TRACK MOUNTED - 1175
	12-8233		DOOR STOP ASSY JAMB MOUNTED-SPECIAL
61	24-0014-30		HHCS,#14 X 3/4 SELF DR TP
62	10-0305		CONNECTOR,
63	24-0014-28		HHCS,3/8-16 X 2 3/4"



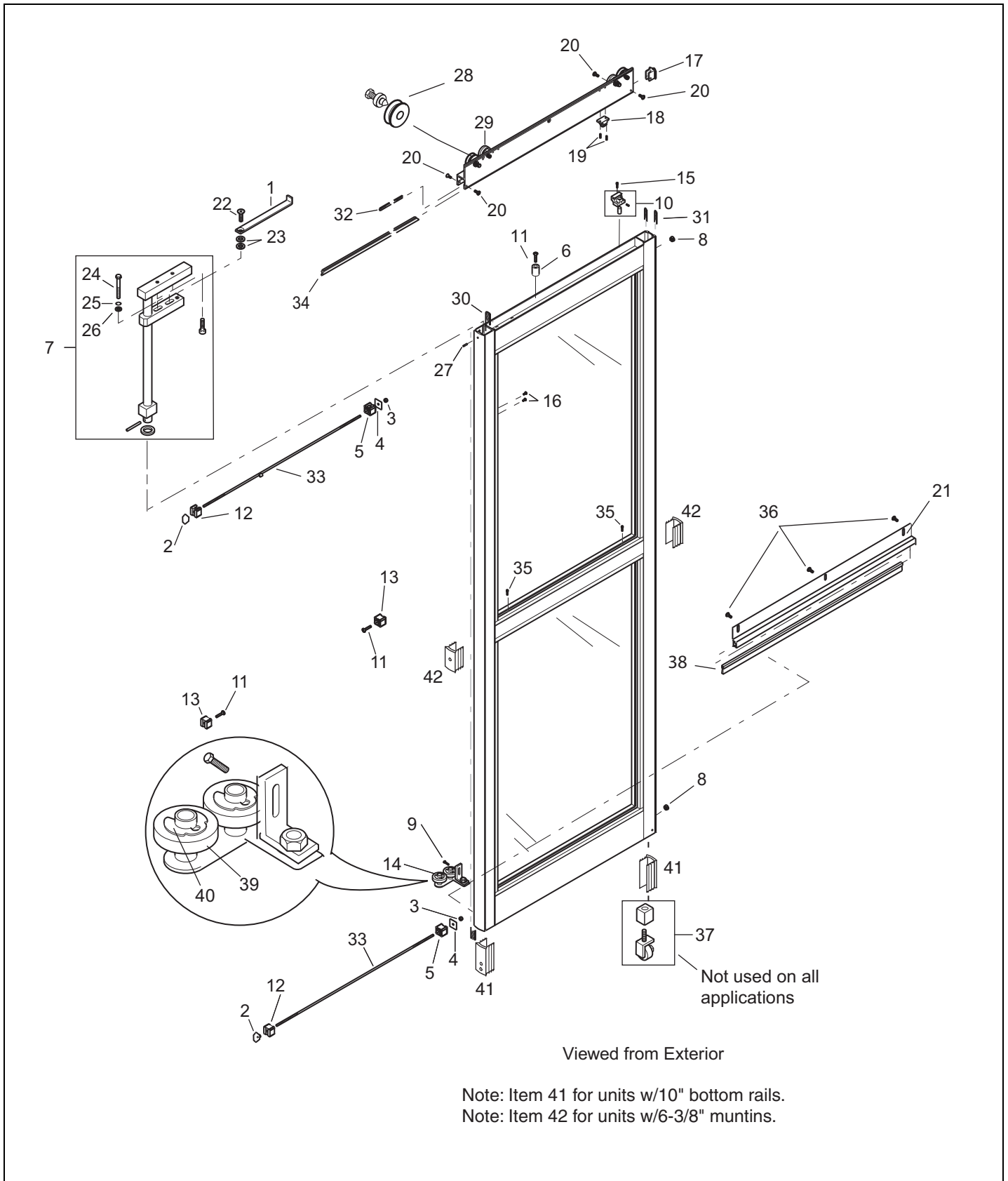
Item	Part	Select Finish	Description
1	12-8055		PINION & BEARING ASSY
2	12-8058		ADJUSTING COLLAR SUB-ASSY
3	14-1290		COUPLING, DRIVE 10MM BORE
4	14-6150-01		O RING - D-090
5	14-8062		RING, LOCK
6	14-8063		O-RING
7	11-9906		DRIVE PULLEY ASSY, MOLDED
8	22-8056		MAIN GEAR ASSY
9	24-0010-47		SCREW, SOCKET HEAD CAP #10-24 X 3/4"
10	24-0017-13		WASHER, 3/8 ID X 11/16 OD X .031 THK
11	24-0021-24		HEX JAM NUT - 3/8-24 .22 THICK
12	24-0019-03		WASHER, EXT. 3/8
13	24-0020-28		PIN, ROLL 1/4 DIA X 1-1/2 LONG
14	24-5188		COUPLING, SPYDER
15	24-0431		RING, RETAINING
16	24-8061		COVER, OPERATOR
17	24-9030		CASTING, MACHINED - 1175 OPERATOR
18	24-0667-01		SPACER, MOUNTING - END CAP-UL PART
19	14-10276		DRIVE PULLEY WASHER, 1175 OPERATOR ASSY
20	24-0413		BEARING, BALL
21	14-11314		RING - RETAINING N5000-118



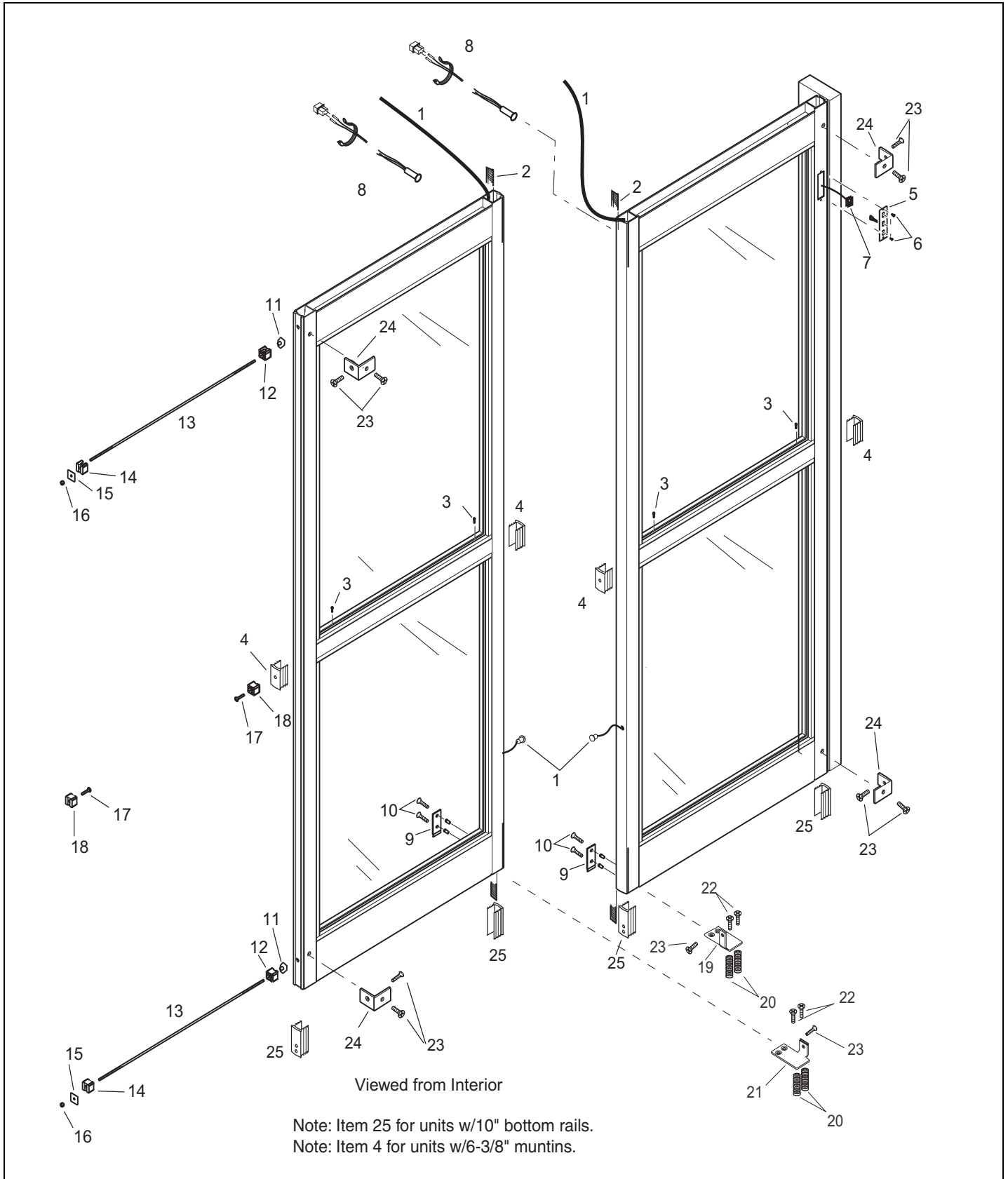


Item	Part	Select Finish	Description
1	21-8396		LIMIT ARM ASSY, STD STILES-1100 1175 WS
	21-8419		LIMIT ARM ASSY, MED STILES
	24-12056		LIMIT ARM NARROW PANEL - MEDIUM STILE
2	14-8447		LIMIT ARM SUPPORT
3	24-12002-10		CARRIER PVT ASSY NARROW STILE-UL PART
	24-12002-30		PIVOT ASY - NRW STILE-PANEL < 22.75-UL P
	24-12002-20		CARRIER PVT ASSY MED STILE-UL PARRT
	24-12002-40		PIVOT ASY - MED STILE- PNL < 22.75"UL PR
4	14-9511-04		PLUG, DOME
5	24-0011-76		SCREW - PHILLIPS HD MACH 1/4-20 X 1/2
6	21-3468		PANIC CATCH RELEASE ASSY-UL PART
7	24-4941-02		SCREW, PH FL HD 1/4-20 X 1" TRILOBE FORM
8	21-9046-10		BOTTOM GUIDE DBL RLR ASSY - RH-UL PART
9	24-0010-16		SCREW - SOCKET HEAD CAP 1/4-20 X 1 1/4
10	14-5543-1X	★	NOSE CASTER ASSY NARROW STILE
	14-5543-2X	★	NOSE CASTER ASSY MED. STILE
11	14-8463-0X	★	CARRIER END CAP/LOCK RECIEVER
12	24-9483		MTG BLK, PANIC CATCH - MACH-UL PART
13	24-0016-30		SCREW, SET 5/16-18 X 1 1/4, CUP POINT
14	14-10488		LOCK, COVER MOUNTING BLOCK
15	24-0031-23		SCREW, PHPS FLAT #10 X 3/4" TYPE A ZINC
	24-0031-22		SCREW, PHPS FLAT #10 X 3/4" TYPE A BL Z
16	14-4899-60		BRUSH, WTHRING-.004, BRISTENYLON A.56, B
17	22-0090-0X	★	CYLINDER, THUMB TURN SILVER
18	22-4495-0X	★	KEYED ALIKE LOCK CYLINDERS SILVER
19	14-9083		GUIDE LOCK - PREVENTER, RATTLE
20	24-0013-04		SCREW - PHLLPS TRUSS HD MACH #6-32 X 1/2
	24-0013-03		SCREW - PHLLPS TRUSS HD MACH #6-32 X 1/2
21	22-3590-04		SCREW - SOCKET FL HD W-VIBR 7/16-14 X 1
22	24-0017-02		WASHER, 7/16 ID X 1 OD X .083 THK
23	24-0011-84		SCREW - PHILLIPS HD MACH #8-32 X 1/2
24	24-0014-12		HHCS, 1/4-20 X 1 3/4"
25	24-0017-46		WASHER, FLAT SAE STL-ZP
26	24-0019-05		WASHER, EXT. 1/4
27	24-0016-51		SCREW, SET 5/16-24 X 5/16 CUP PT = BLK

Item	Part	Select Finish	Description
28	11-3559		SLIDER DECAL PACKAGE - CANADIAN
	12-11936-38		DECALS GT1175 STANDARD BIPART U30
	12-11936-37		DECALS GT1175 STANDARD SINGLE U30
29	11-10733		HANGER ROLLER W/URETHANE ASSY, GT1175
	14-10732		HUB, ROLLER, 1175
30	11-9037		ANTI-RISE ROLLER ASSY, GT1175
31	14-8326-05		PILE WEATHERING, BLK - LEAD EDGE NO ADH.
	14-2279-08		PILE WTHRNG, BLK-TRAIL EDGE, LG NO ADH.
32	14-2279-04		PILE WEATHERING, BLK - FOR CARRIER, SHOR
33	24-9094-0X	★	INTERFACE LEG, CUT LENGTH 3.06' - 204
34	24-0031-23		SCREW, PHPS FLAT #10 X 3/4" TYPE A ZINC
35	24-0011-70		SCREW, PH HD MACH 1/4-20 X 7/16 UND ZP
36	14-5636-0X	★	EXTRUSION, ALUM - WEATHERING, FLAT
37	14-4899-15		BRUSH, WTHRNG-.007, BRISTLE NYLON .980
38	24-0565-11		LOCK, COVER W/LATCH CUTOUT 204
	24-0565-12		LOCK, COVER W/LATCH CUTOUT 313
39	12-8366		LOCK AND LOCK ROD ASSY
40	24-1193-13		RING, SHAFT 0.375 DIA EXT SERIES TRUARC
41	14-9045-01		BTM ROLLER DOOR URETHANE-ULPART
	14-9045-02		BTM RLR DOOR URETH MED STILE-UL PART
42	14-5529		CLIP-FOR RAIL 10IN .391 X 3 HOLES 7.90LG
43	14-13162		CLIP 6-38 MUNTIN .391 HOLE
44	24-4941-02		SCREW, PH FL HD 1/4-20 X 1" TRILOBE FORM
45	24-9502		CLIP, MUNTIN BAR - RAIL .261 HOLE



Item	Part	Select Finish	Description
1	21-8396		LIMIT ARM ASSY, STD STILES-1100 1175 WS
2	14-9279		OFFSET TEE NUT, 3/8"-16
3	24-0021-21		NUT, WHIZLOCK, 3/8-16, ZINC
4	14-9225		BACKING PLATE, TIE ROD - DOOR ASSEMBLY
5	24-9504		CLIP, MUNTIN BAR - RAIL .386 HOLE
6	14-8447		LIMIT ARM SUPPORT
7	21-9523		CARRIER BAR ASSY, NARROW STILE-UL PART
8	14-9511-04		PLUG, DOME
9	24-0011-76		SCREW - PHILLIPS HD MACH 1/4-20 X 1/2
10	21-3468		PANIC CATCH RELEASE ASSY-UL PART
11	24-4941-02		SCREW, PH FL HD 1/4-20 X 1" TRILOBE FORM
12	24-9503		CLIP, MUNTIN BAR - RAIL .500 HOLE
13	24-9502		CLIP, MUNTIN BAR - RAIL .261 HOLE
14	21-9046-20		BOTTOM GUIDE DBL RLR ASSY - LH-UL PART
15	24-0010-16		SCREW - SOCKET HEAD CAP 1/4-20 X 1 1/4
16	24-0011-70		SCREW, PH HD MACH 1/4-20 X 7/16 UND ZP
17	14-8463-0X		CARRIER END CAP/LOCK RECIEVER
18	24-9483		MTG BLK, PANIC CATCH - MACH-UL PART
19	24-0016-30		SCREW, SET 5/16-18 X 1 1/4, CUP POINT
20	24-0031-23		SCREW, PHPS FLAT #10 X 3/4" TYPE A ZINC
	24-0031-22		SCREW, PHPS FLAT #10 X 3/4" TYPE A BL Z
21	14-5636-0X	★	EXTRUSION, ALUM - WEATHERING, FLAT
22	22-3590-04		SCREW - SOCKET FL HD W-VIBR 7/16-14 X 1
23	24-0017-02		WASHER, 7/16 ID X 1 OD X .083 THK
24	24-0014-12		HHCS, 1/4-20 X 1 3/4"
25	24-0017-46		WASHER, FLAT SAE STL-ZP
26	24-0019-05		WASHER, EXT. 1/4
27	24-0016-51		SCREW, SET 5/16-24 X 5/16 CUP PT = BLK
28	11-10733		HANGER ROLLER W/URETHANE ASSY, GT1175
	14-10732		HUB, ROLLER, 1175
29	11-9037		ANTI-RISE ROLLER ASSY, GT1175
30	14-4899-60		BRUSH, WTHRING-.004, BRISTENYLON A.56, B
31	14-8326-05		PILE WEATHERING, BLK - LEAD EDGE NO ADH.
	14-2279-08		PILE WTHRING, BLK-TRAIL EDGE, LG NO ADH.
32	14-2279-04		PILE WEATHERING, BLK - FOR CARRIER, SHOR
33	14-3624		THREADED ROD, 3/8"-16 - ZINC PLATED
34	24-9094-0X	★	INTERFACE LEG, CUT LENGTH 3.06' - 204
35	24-0031-23		SCREW, PHPS FLAT #10 X 3/4" TYPE A ZINC
36	24-0013-03		SCREW - PHLLPS TRUSS HD MACH #6-32 X 1/2
	24-0013-04		SCREW - PHLLPS TRUSS HD MACH #6-32 X 1/2
37	14-5543-1X	★	NOSE CASTER ASSY NARROW STILE
	14-5543-2X	★	NOSE CASTER ASSY MED. STILE
38	14-4899-15		BRUSH, WTHRNG-.007, BRISTLE NYLON .980
39	14-9045-01		BTM ROLLER DOOR URETHANE-ULPART
	14-9045-02		BTM RLR DOOR URETH MED STILE-UL PART
40	24-1193-13		RING, SHAFT 0.375 DIA EXT SERIES TRUARC
41	14-5529		CLIP-FOR RAIL 10IN .391 X 3 HOLES 7.90LG
42	14-13162		CLIP 6-38 MUNTIN .391 HOLE



Item	Part	Select Finish	Description
1	14-9710-04		(1-SET) OPTEX BEAM WITH EXTENSION CABLE
2	14-4899-60		BRUSH, WTHRING-.004, BRISTENYLON A.56, B
3	24-0031-23		SCREW, PHPS FLAT #10 X 3/4" TYPE A ZINC
4	14-13162		CLIP 6-38 MUNTIN .391 HOLE
5	14-11876		SWITCH - KEY - U30
	14-11875-03		SWITCH - ROCKER - U30, NABCO
6	24-0011-104		SCREW - PH HD MACH #10-32X1/2 UND CUT BO
7	22-9186-01		ROCKER SWITCH EXT CABLE 120IN
	22-9186-02		ROCKER SWITCH EXT CABLE 72IN
8	14-12158		BREAK OUT SWITCH WIDE GAP - F/S
9	14-9047-01		COVER, BOTTOM GUIDE - ROLLER INSERT
	14-9047-02		COVER, BOTTOM GUIDE - ROLLER INSERT
10	24-0011-13		SCREW - PHILLIPS HD MACH 1/4-20 X 3/4
	24-0011-96		SCREW - PHILLIPS HD MACH 1/4-20 X 3/4
11	14-9279		OFFSET TEE NUT, 3/8"-16
12	24-9503		CLIP, MUNTIN BAR - RAIL .500 HOLE
13	14-3624		THREADED ROD, 3/8"-16 - ZINC PLATED
14	24-9504		CLIP, MUNTIN BAR - RAIL .386 HOLE
15	14-9225		BACKING PLATE, TIE ROD - DOOR ASSEMBLY
16	24-0021-21		NUT, WHIZLOCK, 3/8-16, ZINC
17	24-4941-02		SCREW, PH FL HD 1/4-20 X 1" TRILOBE FORM
18	24-9502		CLIP, MUNTIN BAR - RAIL .261 HOLE
19	24-8037		FLOOR BRACKET, LH - FIXED SIDELITE
20	14-1018		ANCHOR - PLASTIC #14 X 1 BLUE-UL PART
21	24-8038		FLOOR BRACKET, RH - FIXED SIDELITE
22	24-0031-04		FHMS, 14 X 1 1/2" SLOT, TYPE A-UL PART
23	24-0010-05		SCREW - SOCKET HEAD CAP 1/4-20 X 1/2
24	14-11420		BRACKET, MOUNTING
25	14-5529		CLIP-FOR RAIL 10IN .391 X 3 HOLES 7.90LG