

Section E2
GT 1175 Full Open

One Piece Header 3-5

Operator 6

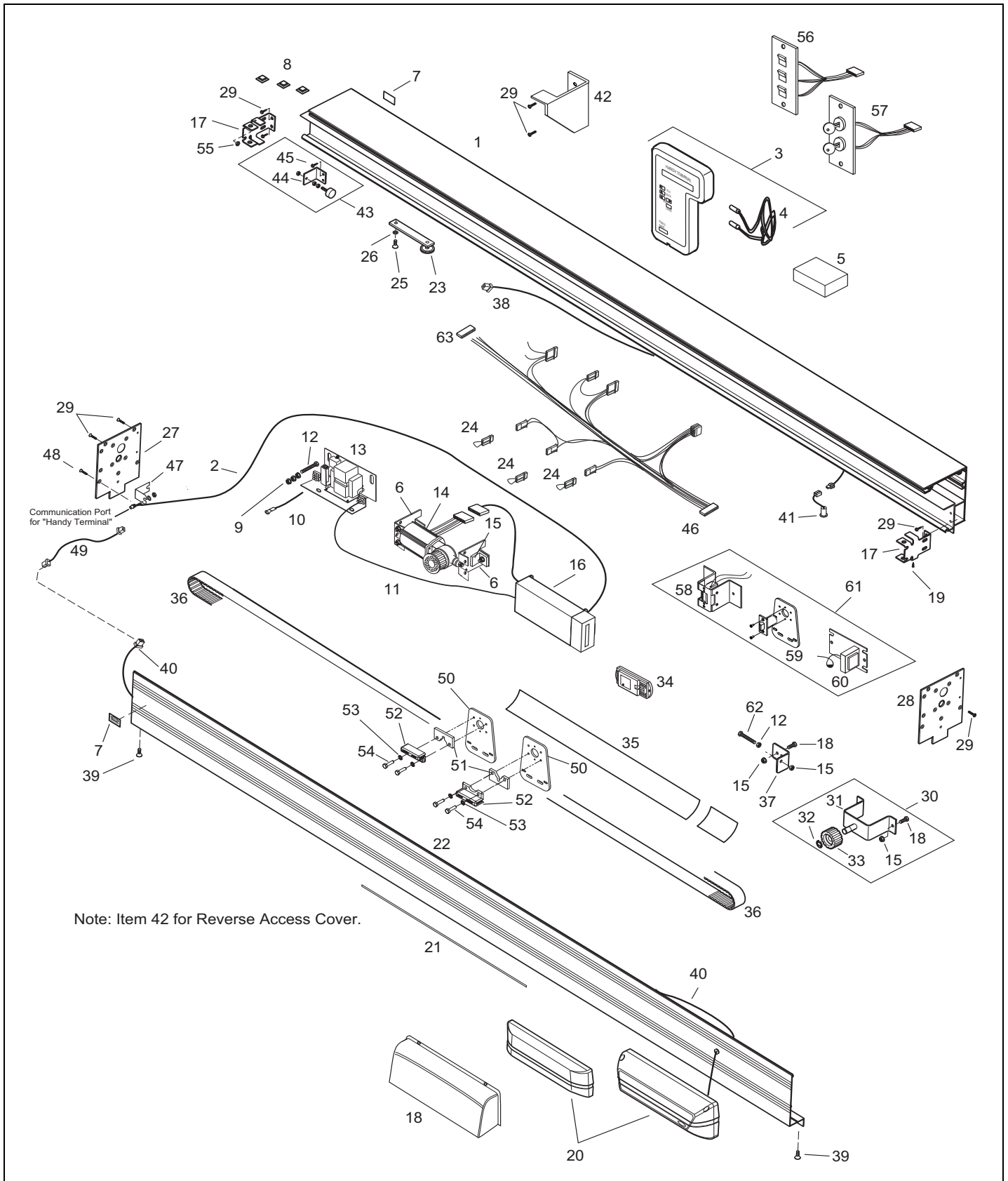
Door Panels 7

Left Door Panel 8-10

Right Door Panel 11-13

Swing Panel 14-15

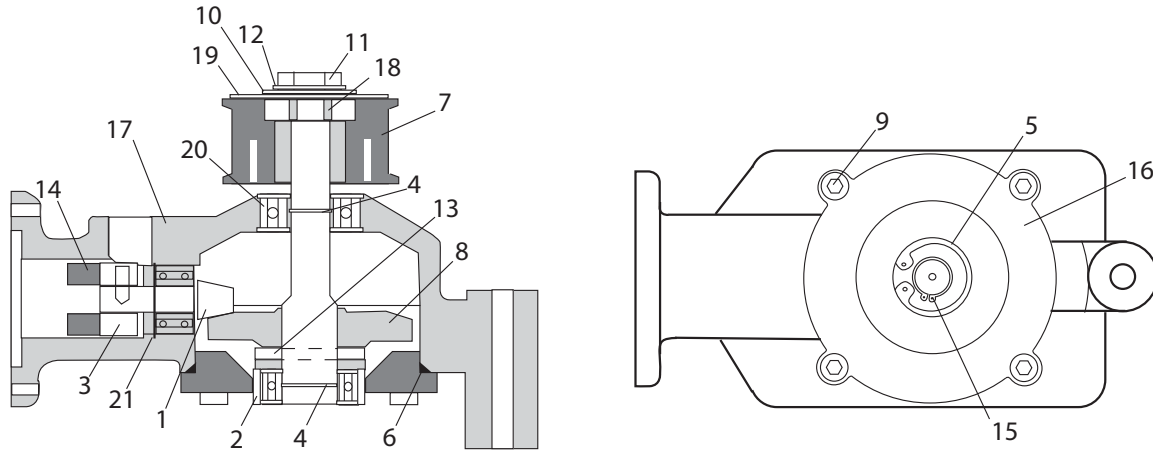
This Page Intentionally Left Blank



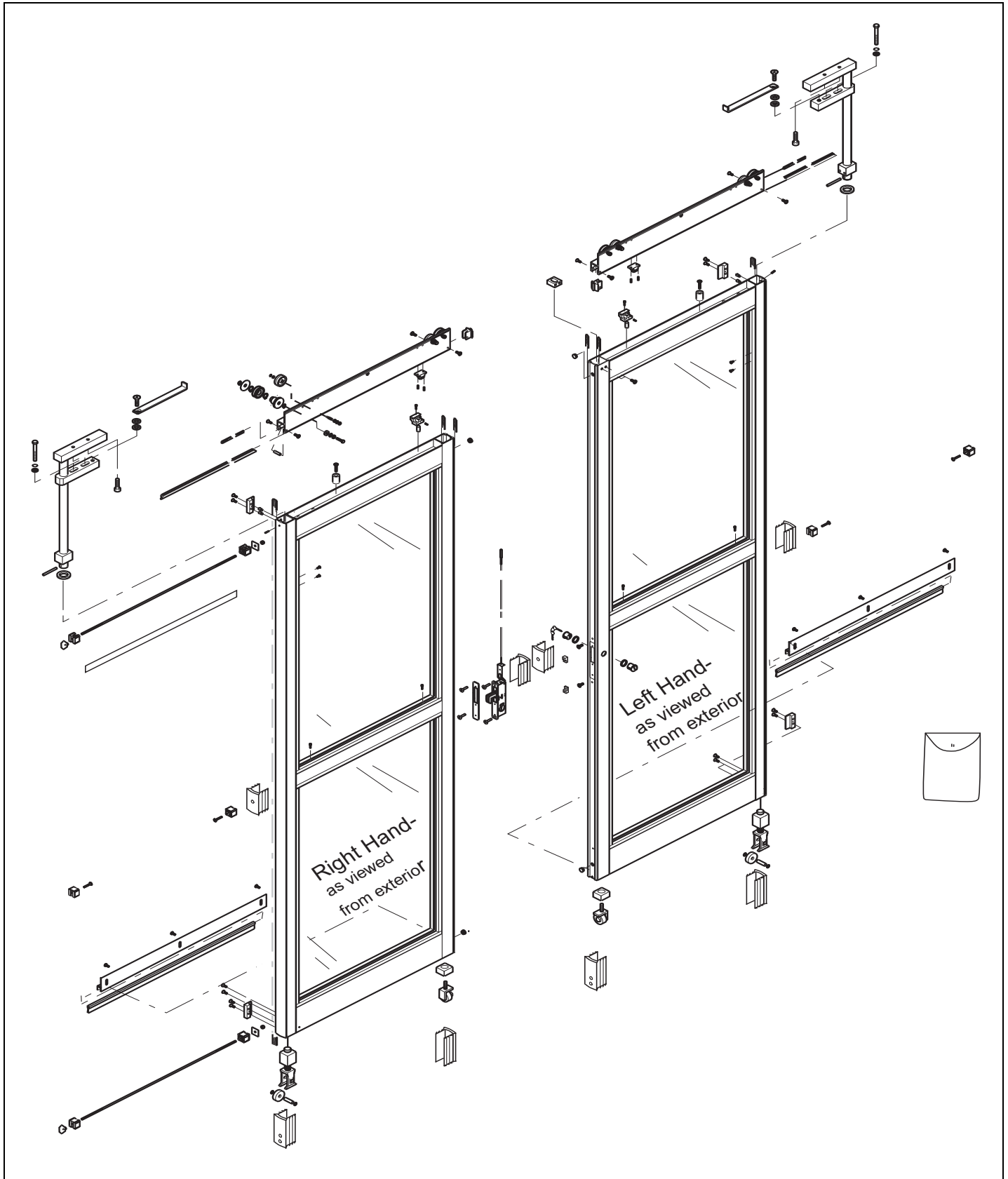
Item	Part	Select Finish	Description
1	Header		Contact NABCO - See Note Below
2	14-11837		HARNESS, HANDY TERMINAL U-30 78.75"L
3	14-8903		HANDY TERMINAL ASSY
4	14-8903-99		CABLE, HANDY TERMINAL
5	21-9251		PARTS BOX 1175 FO NH
6	24-11329		BRACKET, MOTOR SUPPORT - 1175 DS150
7	14-9199		NAMEPLATE, ADHESIVE BACKED
8	24-9442		TIE MOUNT ADHESIVE BACKED
9	24-0021-21		NUT, WHIZLOCK, 3/8-16, ZINC
10	14-11872		GROUND WIRE, DS150
11	14-11874		POWER HARNESS DS150
12	24-0021-15		HEX JAM NUT 3/8"-16
13	14-11741		POWER SUPPLY, DS-150NA/U30
14	24-11327		OPERATOR - DS-150 NA
15	14-12094		MOUNTING BRACKET, STIFFENER DS150
16	24-8901-30		CONTROLLER MICROPROCESSOR - U30
17	24-9022		BRACKET, END CAP - LOWER
18	14-13783		RAIN COVER, WIZARD-ACUSENSOR3
	14-13796		RAIN COVER, i - ONE SENSOR
19	24-0011-13		SCREW - PHILLIPS HD MACH 1/4-20 X 3/4
20	14-8902-3		ACUSENSOR 3 ASSY (With Wire Harness)
	14-13036		OPTEX I-ONE SENSOR ACTIVE INFRARED BLACK
21	14-2279-05		PILE WEATHERING, BLK - ADHESIVE BACKED
22	24-9011-0X	*	EXTRUSION, 1175 HEADER COVER
23	21-8160		LIMIT ARM ASSY, SWING PANEL
24	12-10324		BREAKOUT JUMPER
25	22-3590-06		SCREW - PHILLIPS FL HD W/VIBR 1/4-20 X 1
26	14-8658		SPACER, LIMIT ARM
27	24-13282-2X		ENDCAP, HEADER, 1175, LEFT HAND, 204
28	24-13282-1X		ENDCAP, HEADER, 1175, RIGHT HAND, 204
29	24-0014-30		HHCS,#14 X 3/4 SELF DR TP
30	22-9210		IDLER ASSY
31	22-9026		WELDMENT, IDLER - 1175
32	24-0431		RING, RETAINING
33	11-11701		IDLER PULLEY ASSEMBLY
34	14-9710-03		OPTEX CONTROL BOX ONLY OS-12C
	14-9710-04		(1-SET) OPTEX BEAM WITH EXTENSION CABLE
	14-9710-01		(1-SET) OPTEX BEAM & CNTRL
35	14-9115-01		PLASTIC SHEET, .03 X 2.750 X 48
	14-9115-02		PLASTIC SHEET, .03 X 2.875 X 48
36	14-0795		TIMING BELT 1/2" PITCH X 3/4" WIDE
37	24-9027		IDLER TENSIONER BRKT (Assy is P/N 215990
38	22-9220-01		BREAK OUT SWITCH HARNESS EXTENSION 90IN
	22-9220-02		BREAK OUT SWITCH HARNESS EXTENSION 35IN
39	24-4941-14		SCREW, PH FL HD #8-32 X 5/8" TYPE F

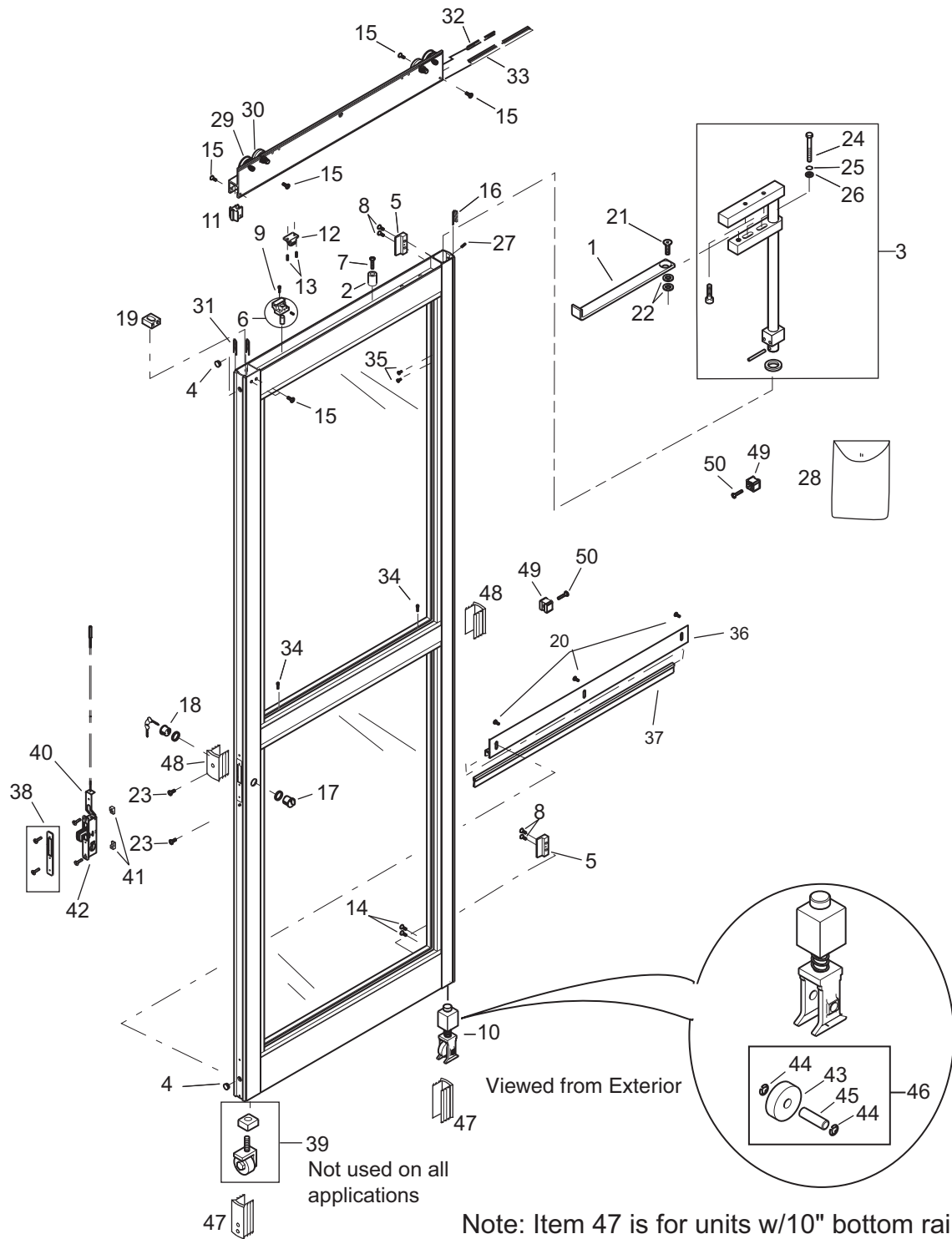
Note: Machining may vary depending on an age of the product. Have the original order number available when contacting NABCO if possible.

Item	Part	Select Finish	Description
40	22-9184		HARNESS, ACUSENSOR 1A & 2
41	22-9222		BREAK OUT SW ASSY FULL OPN & PKTD GT1175
42	24-13741		BRACKET, HEADER COVER, 1175
43	14-9079		DOOR STOP ASSY, TRACK MOUNTED - 1175
	12-8233		DOOR STOP ASSY JAMB MOUNTED-SPECIAL
44	14-9078		BRACKET, DOOR STOP
45	24-0014-30		HHCS,#14 X 3/4 SELF DR TP
46	24-11877		MAIN HARNESS, U30 CONTROL
47	14-9038		BRACKET, CONNECTOR - HANDY TERMINAL
48	24-4941-14		SCREW, PH FL HD #8-32 X 5/8" TYPE F
49	22-9267-01		ACUSENSOR EXT HARNESS 48IN
	22-9267-02		ACUSENSOR EXT HARNESS 24IN
50	14-11871		BRACKET, BELT,1175
51	14-11870		SPACER, BELT CLIP, 1175
52	24-11493		CLIP, BELT
53	24-0019-05		WASHER,EXT.1/4
54	24-0014-02		HHCS,1/4-20 X 3/4
55	24-0021-27		SQUARE NUT 1/4"-20
56	14-11875-03		SWITCH - ROCKER - U30, NABCO
57	14-11876		SWITCH - KEY - U30
58	22-10522-03		VON DUPRIN FAIL SEC ELE STRIKE SUB ASSY
	22-10522-04		VON DUPRIN FAIL SAFE ELE STRIKE SUB ASSY
59	14-12104-10		BELT BRACKET, ELECTRIC LOCK ASSEMBLY
	14-12104-20		BELT BRACKET, ELECTRIC LOCK ASSEMBLY
60	22-12170		TRANSFORMER & RELAY MOUNTING SUB-ASSY
61	21-10471-03		VON DUPRIN FAIL SECURE ELEC LOCK KIT U30
	21-10471-04		VON DUPRIN FAIL SAFE ELEC LOCK KIT U30
	14-10905-10		INSTALLATION KIT - MAG LOCK - 1175 SGL
	14-10905-20		INSTALLATION KIT - MAG LOCK - 1175 BI
62	24-0014-28		HHCS,3/8-16 X 2 3/4"
63	10-0305		CONNECTOR,



Item	Part	Select Finish	Description
1	12-8055		PINION & BEARING ASSY
2	12-8058		ADJUSTING COLLAR SUB-ASSY
3	14-1290		COUPLING, DRIVE 10MM BORE
4	14-6150-01		O RING - D-090
5	14-8062		RING, LOCK
6	14-8063		O-RING
7	11-9906		DRIVE PULLEY ASSY, MOLDED
8	22-8056		MAIN GEAR ASSY
9	24-0010-47		SCREW, SOCKET HEAD CAP #10-24 X 3/4"
10	24-0017-13		WASHER, 3/8 ID X 11/16 OD X .031 THK
11	24-0021-24		HEX JAM NUT - 3/8-24 .22 THICK
12	24-0019-03		WASHER, EXT. 3/8
13	24-0020-28		PIN, ROLL 1/4 DIA X 1-1/2 LONG
14	24-5188		COUPLING, SPYDER
15	24-0431		RING, RETAINING
16	24-8061		COVER, OPERATOR
17	24-9030		CASTING, MACHINED - 1175 OPERATOR
18	24-0667-01		SPACER, MOUNTING - END CAP-UL PART
19	14-10276		DRIVE PULLEY WASHER, 1175 OPERATOR ASSY
20	24-0413		BEARING, BALL

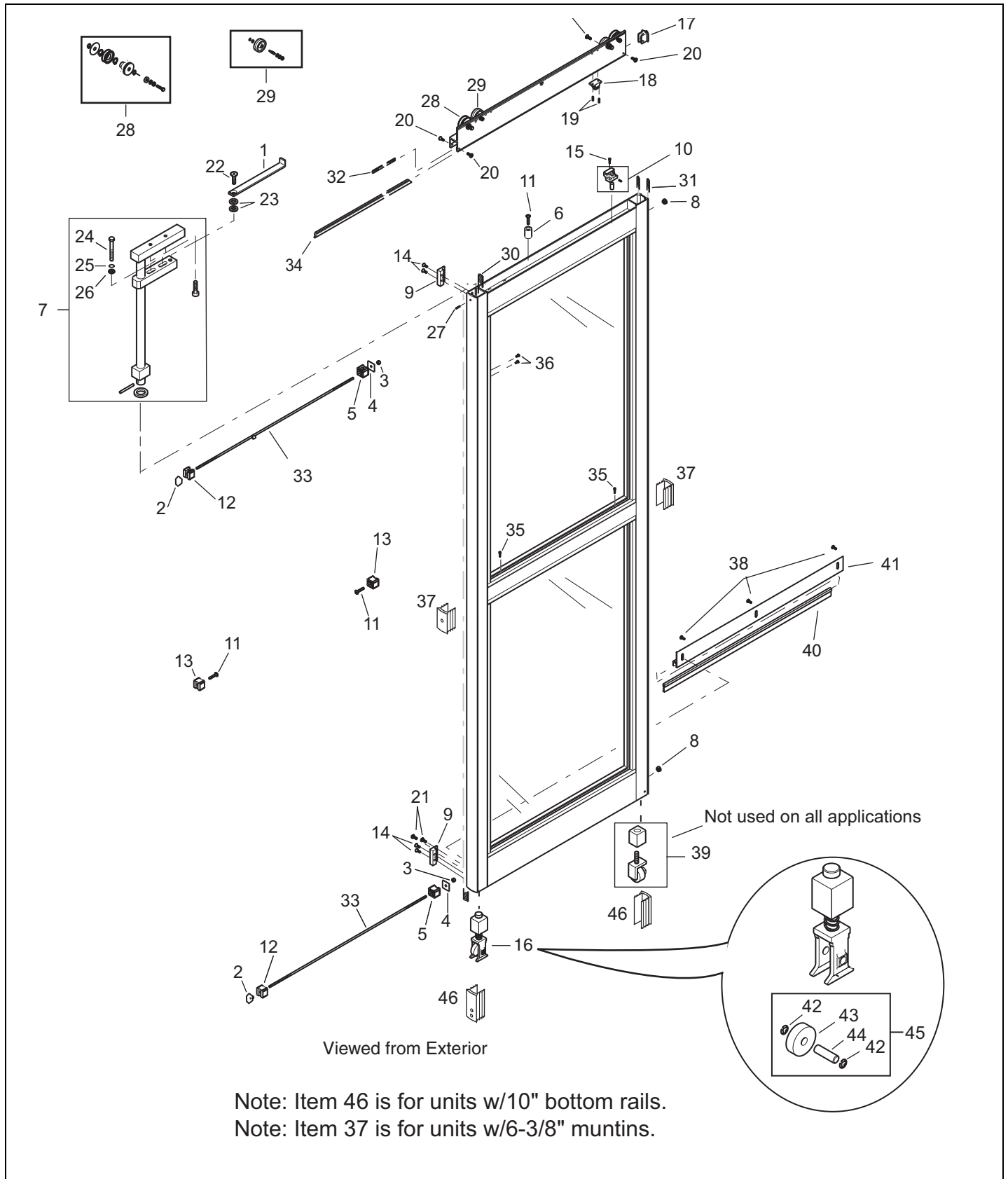




Note: Item 47 is for units w/10" bottom rails.
Note: Item 48 is for units w/6-3/8" muntins.

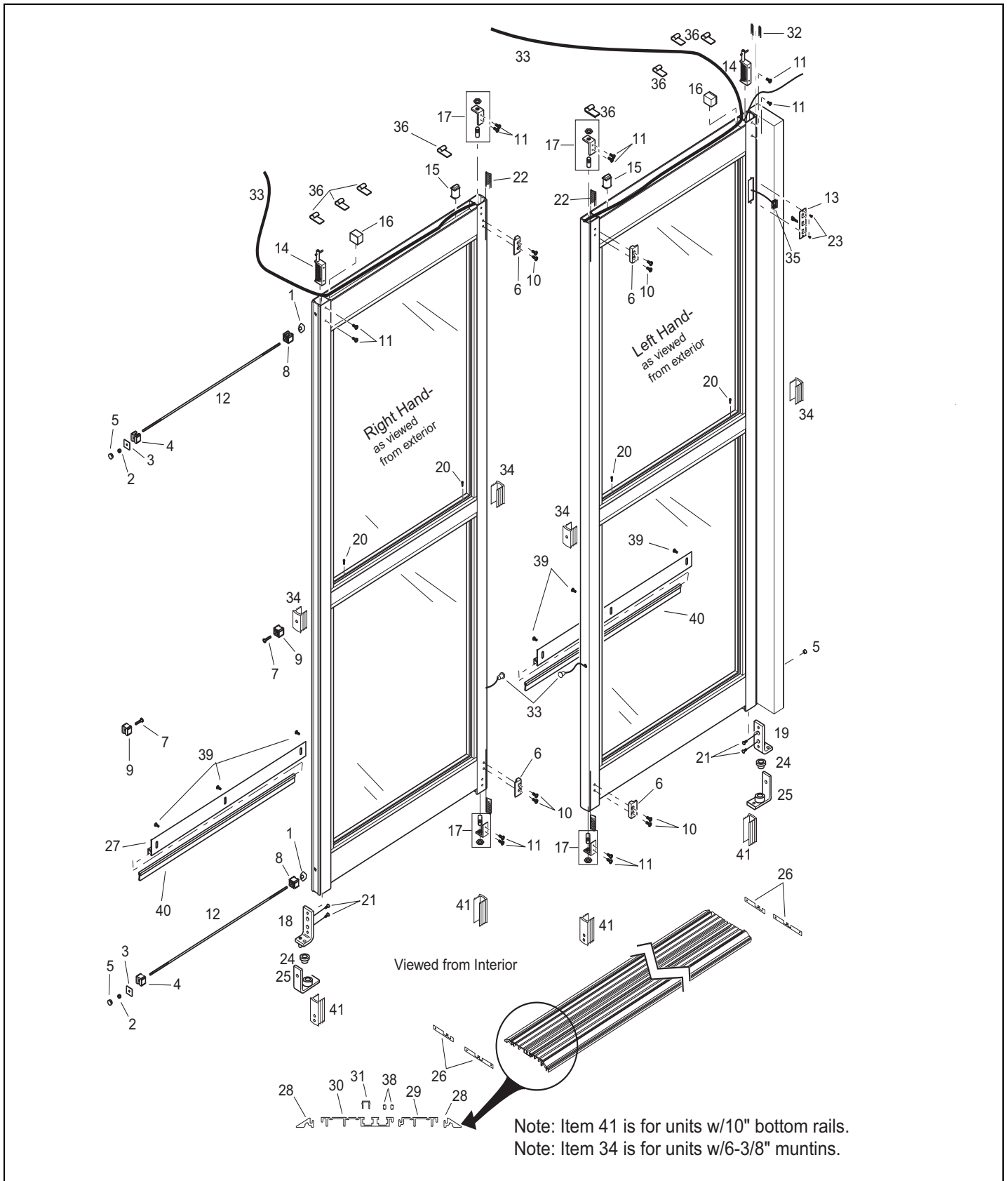
Item	Part	Select Finish	Description
1	21-8396		LIMIT ARM ASSY, STD STILES-1100 1175 WS
	21-8419		LIMIT ARM ASSY, MED STILES
	24-12056		LIMIT ARM NARROW PANEL - MEDIUM STILE
2	14-8447		LIMIT ARM SUPPORT
3	24-12002-10		CARRIER PVT ASSY NARROW STILE-UL PART
	24-12002-30		PIVOT ASY - NRW STILE-PANEL < 22.75-UL P
	24-12002-20		CARRIER PVT ASSY MED STILE-UL PART
	24-12002-40		PIVOT ASY - MED STILE- PNL < 22.75"UL PR
4	14-9511-04		PLUG, DOME
5	14-12511		INTERLOCK - 1175 - FULL OPEN
6	21-3468		PANIC CATCH RELEASE ASSY-UL PART
7	24-4941-02		SCREW, PH FL HD 1/4-20 X 1" TRILOBE FORM
8	24-0012-15		PHMS, #10-32 X .75 LG, PHL, ZINC
9	24-0010-16		SCREW - SOCKET HEAD CAP 1/4-20 X 1 1/4
10	21-9053-01		BTM GUIDE ASSY - CAST NRW STILE-UL PART
	21-9053-02		BTM GUIDE ASSY - CAST MED. STILE-UL PART
11	12-8463-02	*	CARRIER END CAP ASSY
12	24-9483		MTG BLK, PANIC CATCH - MACH-UL PART
13	24-0016-30		SCREW, SET 5/16-18 X 1 1/4, CUP POINT
14	24-0011-53		FHMS, 10-32 X 1/2 PHILLIP-UL PART
15	24-0031-23		SCREW, PHPS FLAT #10 X 3/4" TYPE A ZINC
	24-0031-22		SCREW, PHPS FLAT #10 X 3/4" TYPE A BL Z
16	14-4899-60		BRUSH, WTHRING-.004, BRISTENYLON A.56, B
17	22-0090-0X	*	CYLINDER, THUMB TURN SILVER
18	22-4495-0X	*	KEYED ALIKE LOCK CYLINDERS SILVER
19	14-9083		GUIDE LOCK - PREVENTER, RATTLE
20	24-0013-04		SCREW - PHLLPS TRUSS HD MACH #6-32 X 1/2
	24-0013-03		SCREW - PHLLPS TRUSS HD MACH #6-32 X 1/2
21	22-3590-04		SCREW - SOCKET FL HD W-VIBR 7/16-14 X 1
22	24-0017-02		WASHER, 7/16 ID X 1 OD X .083 THK
23	24-0011-84		SCREW - PHILLIPS HD MACH #8-32 X 1/2
24	24-0014-12		HHCS, 1/4-20 X 1 3/4"
25	24-0017-46		WASHER, FLAT SAE STL-ZP
26	24-0019-05		WASHER, EXT. 1/4
27	24-0016-51		SCREW, SET 5/16-24 X 5/16 CUP PT = BLK
28	11-3559		SLIDER DECAL PACKAGE - CANADIAN
	12-11936-37		DECALS GT1175 STANDARD SINGLE U30
	12-11936-38		DECALS GT1175 STANDARD BIPART U30
29	11-10733		HANGER ROLLER W/URETHANE ASSY, GT1175
	14-10732		HUB, ROLLER, 1175
30	11-9037		ANTI-RISE ROLLER ASSY, GT1175
31	14-2279-08		PILE WTHRING, BLK-TRAIL EDGE, LG NO ADH.
	14-8326-05		PILE WEATHERING, BLK - LEAD EDGE NO ADH.

Item	Part	Select Finish	Description
32	14-2279-04		PILE WEATHERING, BLK - FOR CARRIER, SHOR
33	24-9094-0X	★	INTERFACE LEG, CUT LENGTH 3.06' - 204
34	24-0031-23		SCREW, PHPS FLAT #10 X 3/4" TYPE A ZINC
35	24-0011-70		SCREW, PH HD MACH 1/4-20 X 7/16 UND ZP
36	14-5636-0X	★	EXTRUSION, ALUM - WEATHERING, FLAT
37	14-4899-15		BRUSH, WTHRNG-.007, BRISTLE NYLON .980
	14-4899-90		BRUSH, WTHRNG-.007, BRISTENYLON A68, B
38	24-0565-11		LOCK, COVER W/LATCH CUTOUT 204
	24-0565-12		LOCK, COVER W/LATCH CUTOUT 313
39	14-5543-1X		NOSE CASTER ASSY NARROW STILE
	14-5543-2X		NOSE CASTER ASSY MED. STILE
40	12-8366		LOCK AND LOCK ROD ASSY
41	14-10488		LOCK, COVER MOUNTING BLOCK
42	14-5636-0X		EXTRUSION, ALUM - WEATHERING, FLAT
43	14-9045-01		BTM ROLLER DOOR URETHANE-ULPART
	14-9045-02		BTM RLR DOOR URETH MED STILE-UL PART
44	24-0667-01		SPACER, MOUNTING - END CAP-UL PART
45	14-7061		SHAFT, ROLLER-UL PART
46	14-11320-10		KIT, ASSY, REPAIR, GT1175, NARROW STILES
	14-11320-20		KIT, ASSY, REPAIR, GT1175, MEDIUM STILES
47	14-5529		CLIP-FOR RAIL 10IN .391 X 3 HOLES 7.90LG
48	14-13162		CLIP 6-38 MUNTIN .391 HOLE
49	24-9502		CLIP, MUNTIN BAR - RAIL .261 HOLE
50	24-4941-02		SCREW, PH FL HD 1/4-20 X 1" TRILOBE FORM



Item	Part	Select Finish	Description
1	21-8396		LIMIT ARM ASSY, STD STILES-1100 1175 WS
2	14-9279		OFFSET TEE NUT, 3/8"-16
3	24-0021-21		NUT, WHIZLOCK, 3/8-16, ZINC
4	14-9225		BACKING PLATE, TIE ROD - DOOR ASSEMBLY
5	24-9504		CLIP, MUNTIN BAR - RAIL .386 HOLE
6	14-8447		LIMIT ARM SUPPORT
7	24-12002-10		CARRIER PVT ASSY NARROW STILE-UL PART
	24-12002-20		CARRIER PVT ASSY MED STILE-UL PARRT
	24-12002-30		PIVOT ASY - NRW STILE-PANEL < 22.75-UL P
	24-12002-40		PIVOT ASY - MED STILE- PNL < 22.75"UL PR
8	14-9511-04		PLUG, DOME
9	14-12511		INTERLOCK - 1175 - FULL OPEN
10	21-3468		PANIC CATCH RELEASE ASSY-UL PART
11	24-4941-02		SCREW, PH FL HD 1/4-20 X 1" TRILOBE FORM
12	24-9503		CLIP, MUNTIN BAR - RAIL .500 HOLE
13	24-9502		CLIP, MUNTIN BAR - RAIL .261 HOLE
14	24-0012-15		PHMS, #10-32 X .75 LG, PHL, ZINC
15	24-0010-16		SCREW - SOCKET HEAD CAP 1/4-20 X 1 1/4
16	21-9053-01		BTM GUIDE ASSY - CAST NRW STILE-UL PART
	21-9053-02		BTM GUIDE ASSY - CAST MED. STILE-UL PART
17	12-8463-02	*	CARRIER END CAP ASSY
18	24-9483		MTG BLK, PANIC CATCH - MACH-UL PART
19	24-0016-30		SCREW, SET 5/16-18 X 1 1/4, CUP POINT
20	24-0031-23		SCREW, PHPS FLAT #10 X 3/4" TYPE A ZINC
	24-0031-22		SCREW, PHPS FLAT #10 X 3/4" TYPE A BL Z
21	24-0011-53		FHMS, 10-32 X 1/2 PHILLIP-UL PART
22	22-3590-04		SCREW - SOCKET FL HD W-VIBR 7/16-14 X 1
23	24-0017-02		WASHER, 7/16 ID X 1 OD X .083 THK
24	24-0014-12		HHCS, 1/4-20 X 1 3/4"
25	24-0017-46		WASHER, FLAT SAE STL-ZP
26	24-0019-05		WASHER, EXT. 1/4
27	24-0016-51		SCREW, SET 5/16-24 X 5/16 CUP PT = BLK
28	11-10733		HANGER ROLLER W/URETHANE ASSY, GT1175
29	11-9037		ANTI-RISE ROLLER ASSY, GT1175
	21-8830		HANGER ROLLER COVER W/BEARING
30	14-4899-20		BRUSH, WTHRING-.006, BRISTENYLON A68, B
31	14-8326-05		PILE WEATHERING, BLK - LEAD EDGE NO ADH.
	14-2279-08		PILE WTHRING, BLK-TRAIL EDGE, LG NO ADH.
32	14-2279-04		PILE WEATHERING, BLK - FOR CARRIER, SHOR
33	14-3624		THREADED ROD, 3/8"-16 - ZINC PLATED
34	24-9094-0X	*	INTERFACE LEG, CUT LENGTH 3.06' - 204
35	24-0031-23		SCREW, PHPS FLAT #10 X 3/4" TYPE A ZINC
36	24-0011-70		SCREW, PH HD MACH 1/4-20 X 7/16 UND ZP
37	14-13162		CLIP 6-38 MUNTIN .391 HOLE

Item	Part	Select Finish	Description
38	24-0013-03		SCREW - PHLLPS TRUSS HD MACH #6-32 X 1/2
	24-0013-04		SCREW - PHLLPS TRUSS HD MACH #6-32 X 1/2
39	14-5543-1X		NOSE CASTER ASSY NARROW STILE
	14-5543-2X		NOSE CASTER ASSY MED. STILE
40	14-4899-15		BRUSH, WTHRNG-.007, BRISTLE NYLON .980
41	14-5636-0X	*	EXTRUSION, ALUM - WEATHERING, FLAT
42	24-0667-01		SPACER, MOUNTING - END CAP-UL PART
43	14-9045-01		BTM ROLLER DOOR URETHANE-ULPART
	14-9045-02		BTM RLR DOOR URETH MED STILE-UL PART
44	14-7061		SHAFT, ROLLER-UL PART
45	14-11320-10		KIT, ASSY, REPAIR, GT1175, NARROW STILES
	14-11320-20		KIT, ASSY, REPAIR, GT1175, MEDIUM STILES
46	14-5529		CLIP-FOR RAIL 10IN .391 X 3 HOLES 7.90LG



Item	Part	Select Finish	Description
1	14-9279		OFFSET TEE NUT, 3/8"-16
2	24-0021-21		NUT, WHIZLOCK, 3/8-16, ZINC
3	14-9225		BACKING PLATE, TIE ROD - DOOR ASSEMBLY
4	24-9504		CLIP, MUNTIN BAR - RAIL .386 HOLE
5	14-9511-04		PLUG, DOME
6	14-12511		INTERLOCK - 1175 - FULL OPEN
7	24-4941-02		SCREW, PH FL HD 1/4-20 X 1" TRILOBE FORM
8	24-9503		CLIP, MUNTIN BAR - RAIL .500 HOLE
9	24-9502		CLIP, MUNTIN BAR - RAIL .261 HOLE
10	24-0012-15		PHMS, #10-32 X .75 LG, PHL, ZINC
11	24-0012-14		PHMS, #10-32 X .50 LG, PHL, ZINC
	24-0012-22		#10-32 X 1.00_PAN HEAD_ PHILLIPS_BLK ZN
12	14-3624		THREADED ROD, 3/8"-16 - ZINC PLATED
13	14-11876		SWITCH - KEY - U30
	14-11875-03		SWITCH - ROCKER - U30, NABCO
14	21-9507		ASM, TOP PIVOT, 1175 SWING PANEL
15	11-9212		MAGNET, ASSY FULL OPEN POWER DOWN
16	12-8259		STOP BLOCK ASSY, SWING PANEL
17	12-9082		BALL DETENT PANIC, SWING PANEL
18	11-9509-02		BOTTOM PIVOT SWING PANEL ASSY - RH
19	11-9509-01		BOTTOM PIVOT SWING PANEL ASSY - LH
20	24-0031-23		SCREW, PHPS FLAT #10 X 3/4" TYPE A ZINC
21	24-0011-70		SCREW, PH HD MACH 1/4-20 X 7/16 UND ZP
22	14-4899-60		BRUSH, WTHRNG-.004, BRISTENYLON A.56, B
23	24-0011-104		SCREW - PH HD MACH #10-32X1/2 UND CUT BO
24	24-2458		BOTTOM PIVOT BUSHING, SWING PANEL
25	22-4750		FLOOR PIVOT SUB-ASSY - GT1100 & 1175
26	24-9857-10		END CAP, THRESHOLD - NORMAL FULL OPEN
	24-9857-20		END CAP, THRESHOLD - FOR POCKETED UNITS
27	14-5636-0X		EXTRUSION, ALUM - WEATHERING, FLAT
28	14-9017-0X		EXTRUSION, ALUM - RAMP, FLOORTRACK
29	14-9018-0X		EXTRUSION, ALUM - FLOOR TRACK, POCKETED
30	14-9016-0X		EXTRUSION, ALUM - THRESHOLD, FLOOR TRACK
31	14-9168		EXTRUSION, RPVC - FILLER, TRACK 12'
32	14-2279-07		PILE WEATHERING .570 HEIGHT
33	14-9710-04		(1-SET) OPTEX BEAM WITH EXTENSION CABLE
34	14-13162		CLIP 6-38 MUNTIN .391 HOLE
35	22-9186-01		ROCKER SWITCH EXT CABLE 120IN
	22-9186-02		ROCKER SWITCH EXT CABLE 72IN
36	14-10569		J CLIP
37	24-0011-130		#10-32X1/2 PH HD TYPE 23 U.C. BLA. ZINC
	24-0011-131		#10-32 X 1/2 PHIL HEAD TYPE 23 U.C. ZINC
38	14-9019		EXT. HDPE - BUMPER, THRESHOLD 8 FT
39	24-0013-04		SCREW - PHLLPS TRUSS HD MACH #6-32 X 1/2
	24-0013-04		SCREW - PHLLPS TRUSS HD MACH #6-32 X 1/2
40	14-4899-15		BRUSH, WTHRNG-.007, BRISTLE NYLON .980
41	14-5529		CLIP-FOR RAIL 10IN .391 X 3 HOLES 7.90LG
42	14-13162		CLIP 6-38 MUNTIN .391 HOLE

This Page Intentionally Left Blank