



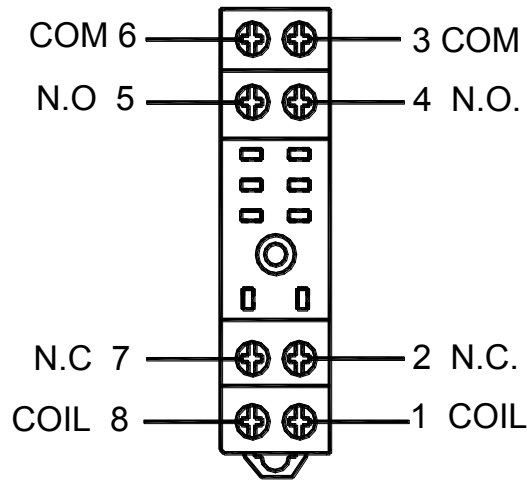
Relay Socket Instruction Sheet

Nabco Entrances Inc. S82 W18717 Gemini Drive, Muskego, WI 53150
Ph: (877) 622-2694 Fax: (888) 679-3319 Web: www.NabcoEntrances.com

Specifications:

Relay & Socket Assembly:	P/N 1412439
Contact arrangement:.....	Double Pole Double Throw (DPDT) - Form C
Coil Voltage:	12 VDC
Coil Current Draw:	47 mA
Max. switching current:	5 A
Max. switching voltage:.....	250V AC, 30V DC
Max. switching power:.....	1,250 VA, 150W
Coil Nominal operating power: ...	0.53W 0.9VA

Relay Mounting Socket Shown Below



COM - Common
 N.O. - Normally Open
 N.C. - Normally Closed
 (as defined when relay is un-powered)