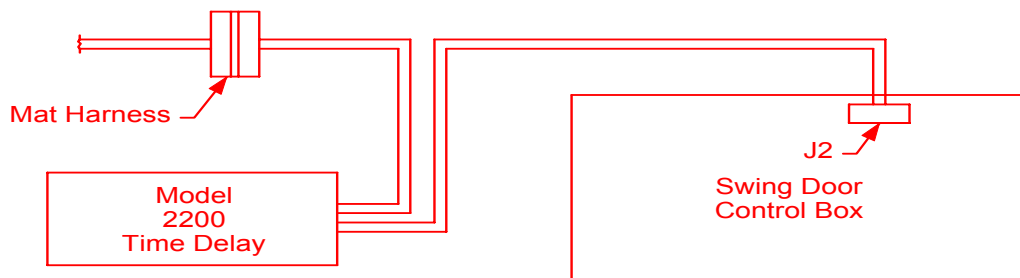


Time Delay Module Model 2200 Installation Instructions

NABCO ENTRANCES INC.

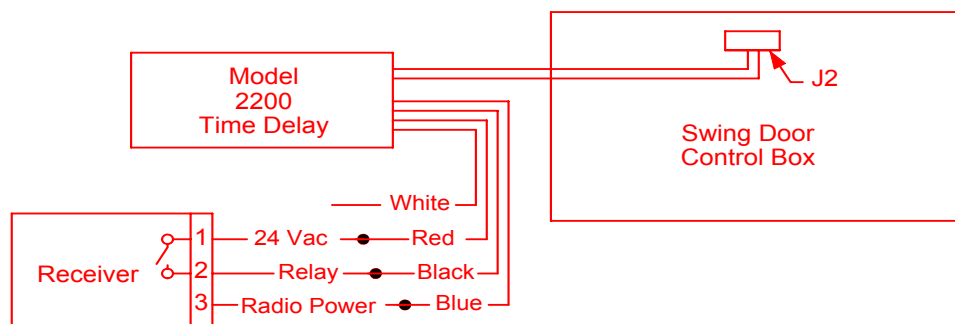
1. Unpack the unit and check for any physical damage.
2. Ensure that the power is OFF to the door.
3. Install the module on the end of the control box by slipping the spring clip ends over the edges of the control box end plate. If the clip is too long or too short, bend one of the ends with a pair of pliers to achieve a snug fit.
4. Depending on the installation of a radio receiver, wire the unit as shown below:

WITHOUT A RADIO RECEIVER



WITH A RADIO RECEIVER

If a time delay module is used with a remote control receiver, special care must be taken to wire the components. If the following wiring diagram is not followed, the time delay module will be irreparably damaged.



5. Turn the power ON and activate the door. Adjust the potentiometer on the module to achieve the desired time delay. It is adjustable from 1 to 60 seconds.
Note: The control box's normal time delay will still be in effect.