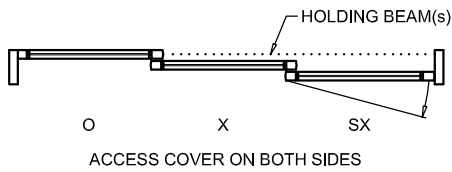
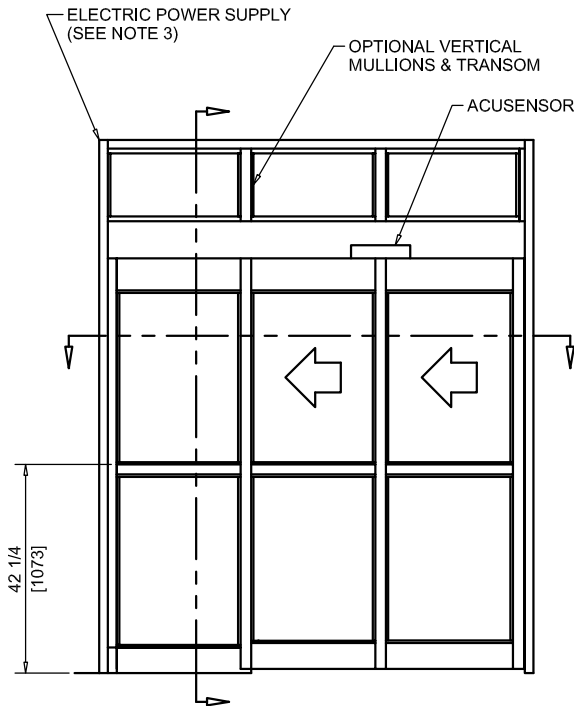




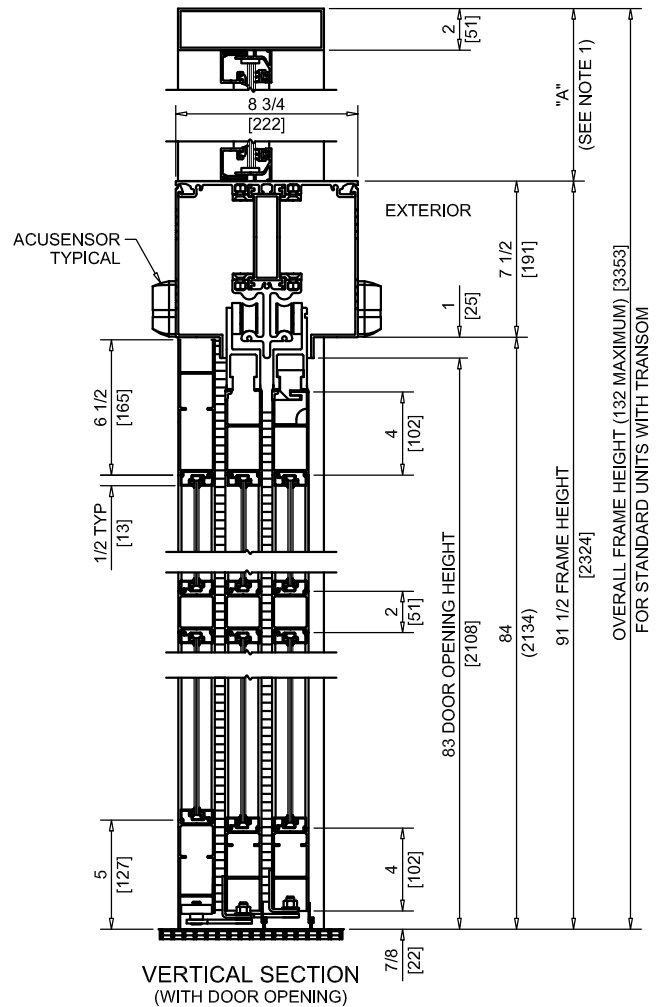
NABCO Entrances Inc.
 S82 W18717 Gemini Drive Muskego, WI 53150
 www.nabcoentrances.com 1-877-622-2694

JOB NAME: _____
 LOCATION: _____
 DISTRIBUTOR: _____
 DOOR #: _____ DATE: _____
 SHEET _____ OF _____

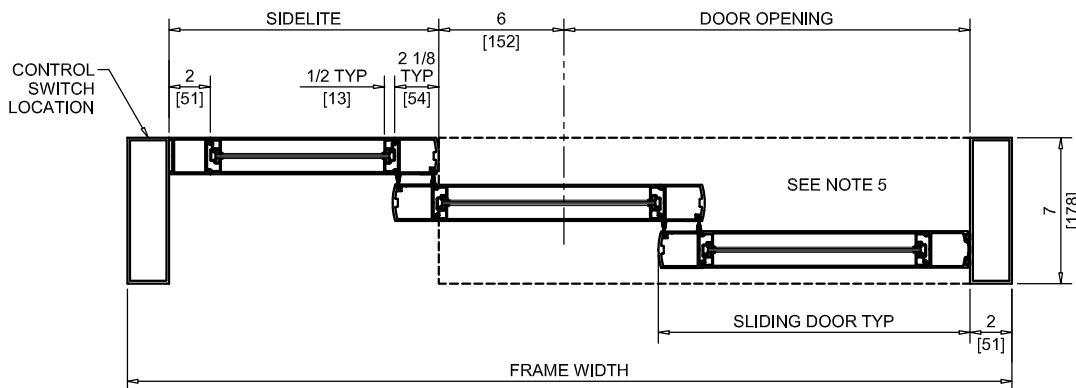
WHISPER SLIDE
GT1175-14L
 SINGLE SLIDE
 LEFT HAND
 FIXED SIDELITE
 TELESCOPING



EXTERIOR ELEVATION/PLAN



VERTICAL SECTION
 (WITH DOOR OPENING)



HORIZONTAL SECTION

- NOTES:
1. TRANSOM HEIGHT (DIMENSION "A") IS DETERMINED PER JOB REQUIREMENTS.
 2. TRANSOM GLAZING IS SURFACE APPLIED FOR ALL GLASS THICKNESSES.
 3. POWER TO HEADER WILL BE 115VAC, 5 AMP PER OPERATOR PROVIDED BY ELECTRICAL CONTRACTOR.
 4. STANDARD LOCATION OF LOCK IS 35" FROM FINISH FLOOR TO CENTERLINE OF KEY CYLINDER.
 5. 1/4 X 7 THRESHOLD THROUGH DOOR OPENING (AS SHOWN WITH DASHED LINES) IS OPTIONAL.
 6. MASONRY OPENING EQUALS FRAME WIDTH +1/2" AND FRAME HEIGHT +1/4".
 7. ONE SET OF HOLDING BEAMS AT 21" AFF STANDARD. SECOND SET AT 51" AFF IS OPTIONAL.

	DOOR OPENING	FULL BREAKOUT OPENING	FRAME WIDTH	SLIDING DOOR	SIDELITE
MIN.	32 1/8" [816]	35 1/2" [902]	5'-1 1/2" [1562]	21 3/8" [543]	19" [483]
MAX.	87 1/8" [2213]	90 1/2" [2299]	12'-0" [3657]	48 7/8" [1241]	46 1/2" [1181]