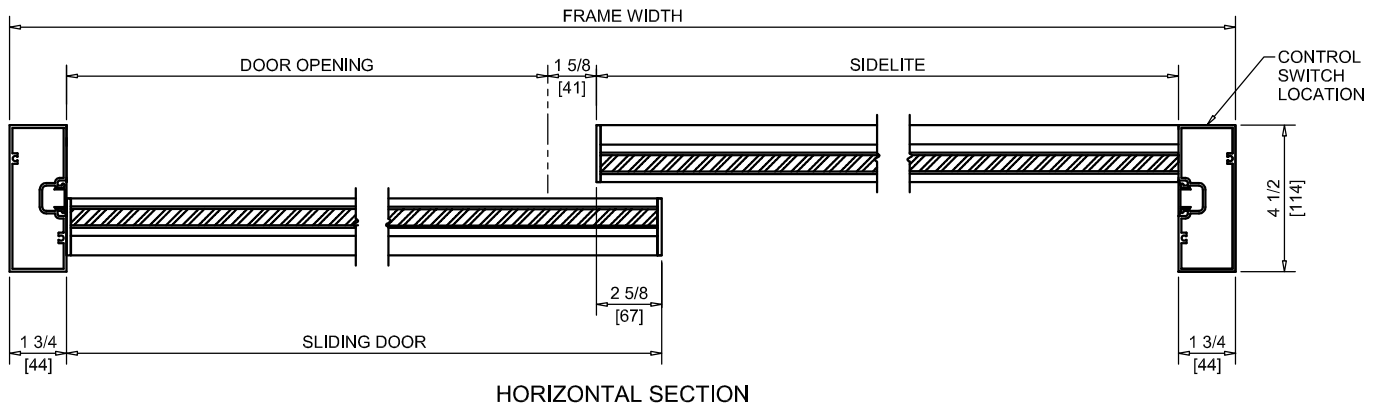
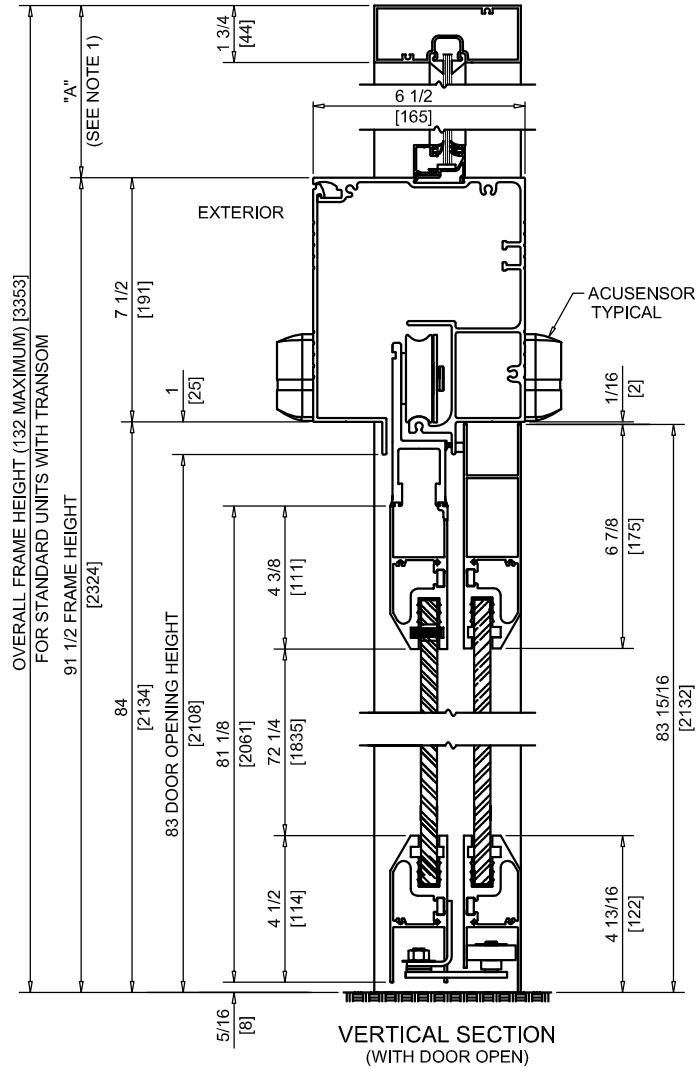
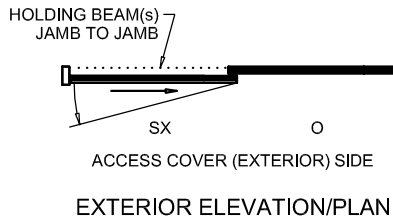
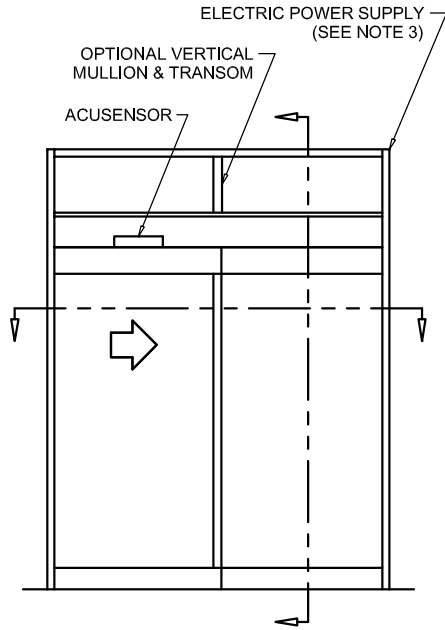




NABCO Entrances Inc.  
 S82 W18717 Gemini Drive Muskego, WI 53150  
 www.nabcoentrances.com 1-877-622-2694

JOB NAME: \_\_\_\_\_  
 LOCATION: \_\_\_\_\_  
 DISTRIBUTOR: \_\_\_\_\_  
 DOOR #: \_\_\_\_\_ DATE: \_\_\_\_\_  
 SHEET \_\_\_\_\_ OF \_\_\_\_\_

**WHISPER SLIDE**  
**GT1175-12R**  
 SINGLE SLIDE  
 RIGHT HAND  
 FIXED SIDELITE  
 ALL GLASS



DOOR OPENING	FULL BREAKOUT OPENING	FRAME WIDTH	SLIDING DOOR	SIDELITE
37 3/8" [949]	39" [990]	7'-0" [2133]	41 5/8" [1057]	41 1/2" [1054]
43 3/8" [1102]	45" [1143]	8'-0" [2438]	47 5/8" [1210]	47 1/2" [1207]
46 3/8" [1178]	48" [1219]	8'-6" [2590]	50 5/8" [1286]	50 1/2" [1283]
49 3/8" [1254]	51" [1295]	9'-0" [2743]	53 5/8" [1362]	53 1/2" [1359]

- NOTES:
- TRANSOM HEIGHT (DIMENSION "A") IS DETERMINED PER JOB REQUIREMENTS.
  - FLUSH GLAZING FOR 1/4" GLASS ONLY.
  - POWER TO HEADER WILL BE 115VAC, 5 AMP PER OPERATOR PROVIDED BY ELECTRICAL CONTRACTOR.
  - UNITS CAN BE PROVIDED WITH GLASS INSTALLED. CONTACT THE FACTORY WITH SPECIAL REQUESTS.
  - MASONRY OPENING EQUALS FRAME WIDTH +1/2" AND FRAME HEIGHT +1/4".
  - ONE SET OF HOLDING BEAMS AT 21" AFF STANDARD. SECOND SET AT 51" AFF IS OPTIONAL.