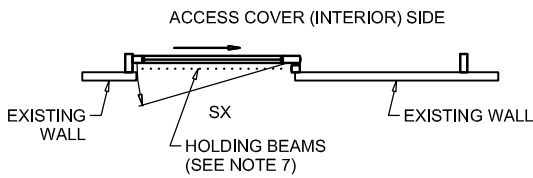
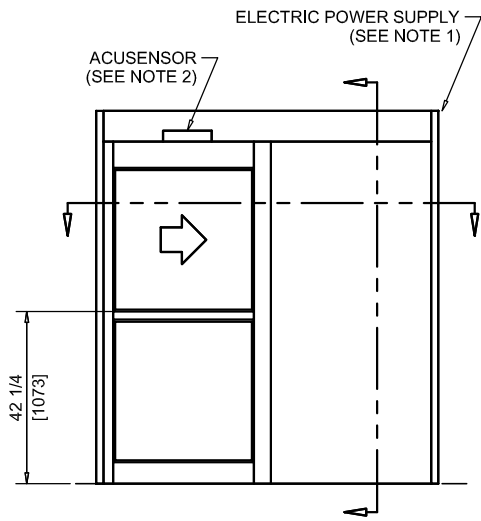




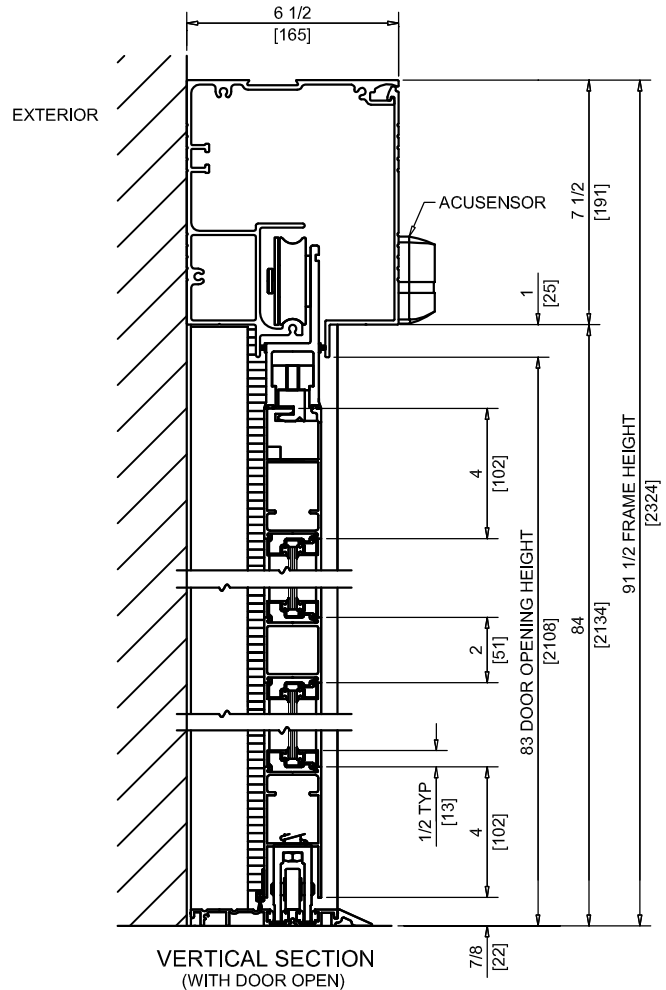
NABCO Entrances Inc.
 S82 W18717 Gemini Drive Muskego, WI 53150
 www.nabcoentrances.com 1-877-622-2694

JOB NAME: _____
 LOCATION: _____
 DISTRIBUTOR: _____
 DOOR #: _____ DATE: _____
 SHEET ____ OF ____

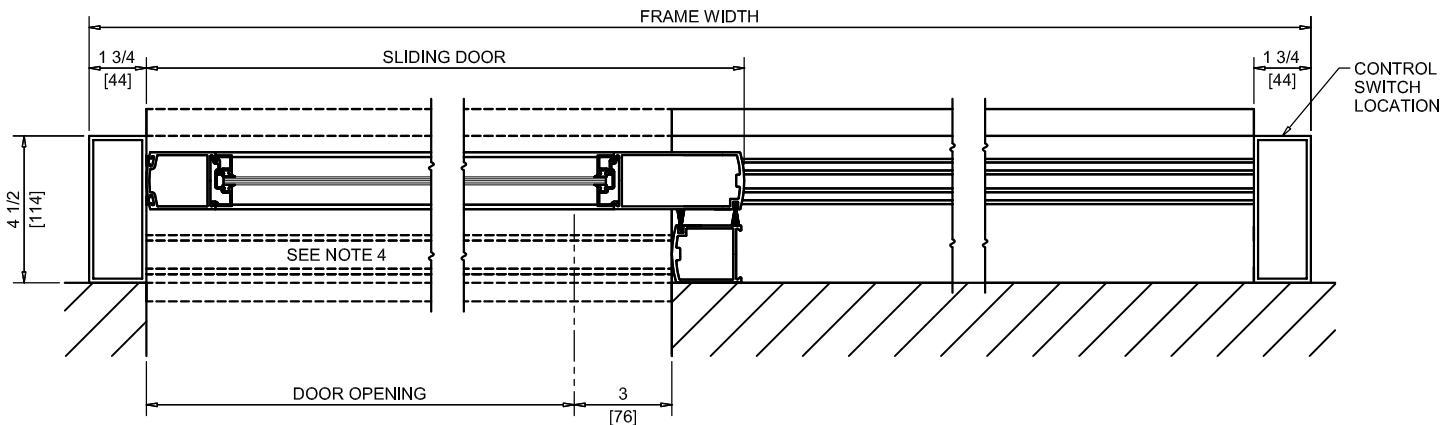
WHISPER SLIDE
GT1175-07RI
 SINGLE SLIDE
 RIGHT HAND
 SURFACE APPLIED
 TO INTERIOR



EXTERIOR ELEVATION/PLAN



VERTICAL SECTION
 (WITH DOOR OPEN)



HORIZONTAL SECTION

NOTES:

1. POWER TO HEADER WILL BE 115VAC, 5 AMP PER OPERATOR PROVIDED BY ELECTRICAL CONTRACTOR.
2. ONE ACUSENSOR IS MOUNTED AND ONE IS SHIPPED LOOSE.
3. STANDARD LOCATION OF LOCK IS 35" FROM FINISH FLOOR TO CENTERLINE OF KEY CYLINDER.
4. THRESHOLD THROUGH DOOR OPENING (AS SHOWN WITH DASHED LINES) IS OPTIONAL.
5. DOOR FRAME SIZED BY MASONRY OPENING.
6. DOOR CAN ONLY BREAK OUT IN THE FULLY CLOSED POSITION.
7. THREE SETS OF HOLDING BEAMS STANDARD. ONE SET LOCATED AT 21" AFF, ONE SET AT 51" AFF AND ONE SET LOCATED 12" FROM TOP OF HEADER.

DOOR OPENING	FULL BREAKOUT OPENING	FRAME WIDTH	SLIDING DOOR	SIDELITE
36" [914]	76" [1930]	7'-0" [2133]	41 1/4" [1047]	41 5/16" [1049]
42" [1066]	88" [2235]	8'-0" [2438]	47 1/4" [1200]	47 5/16" [1201]
44" [1117]	94" [2388]	8'-6" [2590]	49 1/4" [1250]	51 5/16" [1303]
48" [1219]	100" [2794]	9'-0" [2743]	53 1/4" [1352]	53 5/16" [1354]