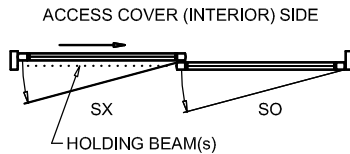
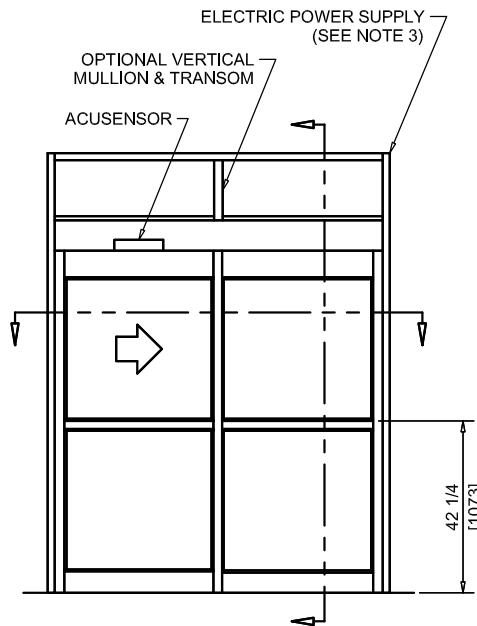




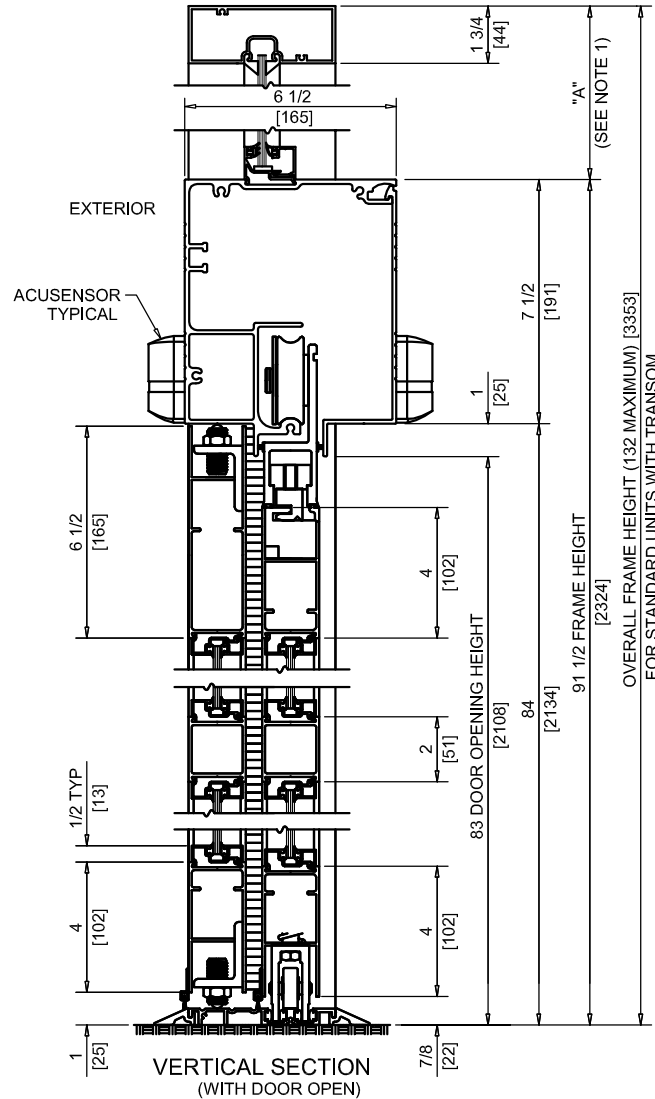
NABCO Entrances Inc.
 582 W18717 Gemini Drive Muskego, WI 53150
 www.nabcoentrances.com 1-877-622-2694

JOB NAME: _____
 LOCATION: _____
 DISTRIBUTOR: _____
 DOOR #: _____ DATE: _____
 SHEET _____ OF _____

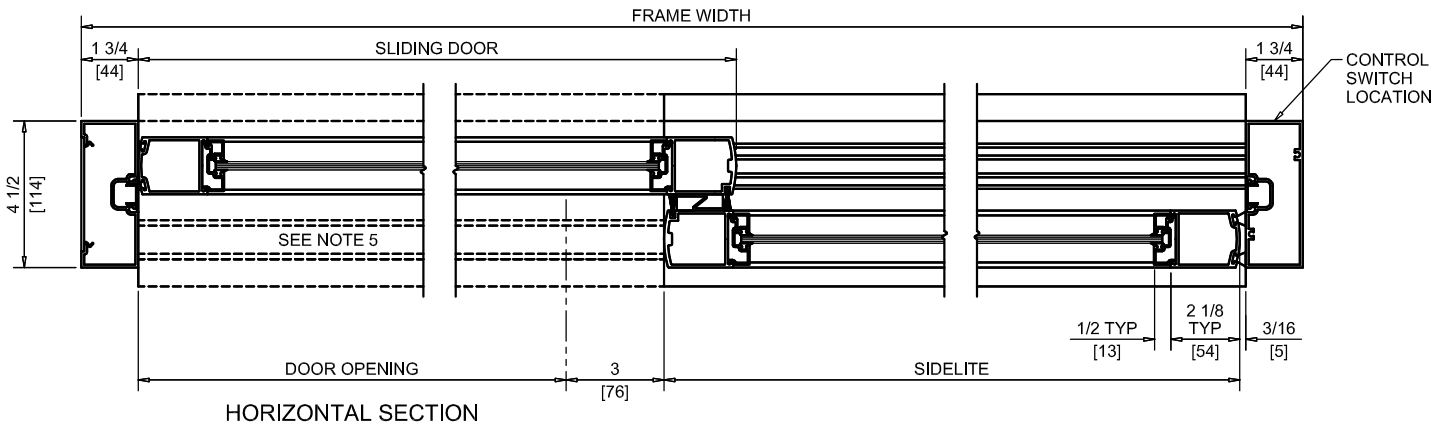
WHISPER SLIDE
GT1175-03R
 SINGLE SLIDE
 RIGHT HAND
 FULL OPEN



EXTERIOR ELEVATION/PLAN



VERTICAL SECTION
 (WITH DOOR OPEN)



HORIZONTAL SECTION

NOTES:

1. TRANSOM HEIGHT (DIMENSION "A") IS DETERMINED PER JOB REQUIREMENTS.
2. FLUSH GLAZING FOR 1/4" GLASS ONLY. NON POCKETED JAMBS USED FOR NO TRANSOM APPLICATIONS.
3. POWER TO HEADER WILL BE 115VAC, 5 AMP PER OPERATOR PROVIDED BY ELECTRICAL CONTRACTOR.
4. STANDARD LOCATION OF LOCK IS 35" FROM FINISH FLOOR TO CENTERLINE OF KEY CYLINDER.
5. THRESHOLD THROUGH DOOR OPENING (AS SHOWN WITH DASHED LINES) IS OPTIONAL.
6. MASONRY OPENING EQUALS FRAME WIDTH +1/2" AND FRAME HEIGHT +1/4".
7. ONE SET OF HOLDING BEAMS AT 21" AFF STANDARD. SECOND SET AT 51" AFF IS OPTIONAL.

DOOR OPENING	FULL BREAKOUT OPENING	FRAME WIDTH	SLIDING DOOR	SIDELITE
36" [914]	76" [1930]	7'-0" [2133]	41 1/4" [1047]	41 5/16" [1049]
42" [1066]	88" [2235]	8'-0" [2438]	47 1/4" [1200]	47 5/16" [1201]
44" [1117]	94" [2388]	8'-6" [2590]	49 1/4" [1250]	51 5/16" [1303]
48" [1219]	100" [2794]	9'-0" [2743]	53 1/4" [1352]	53 5/16" [1354]