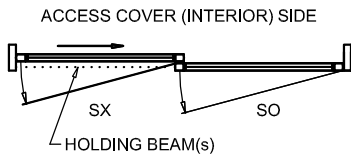
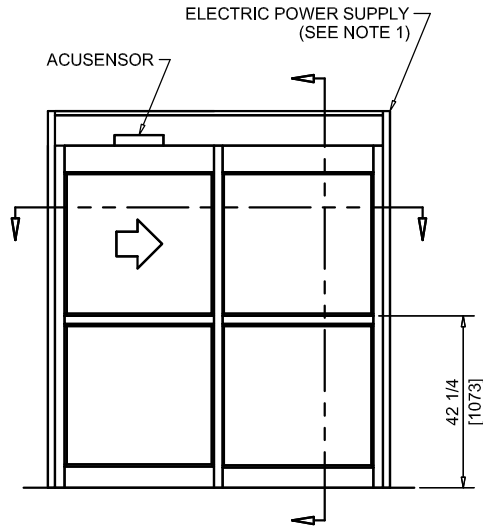




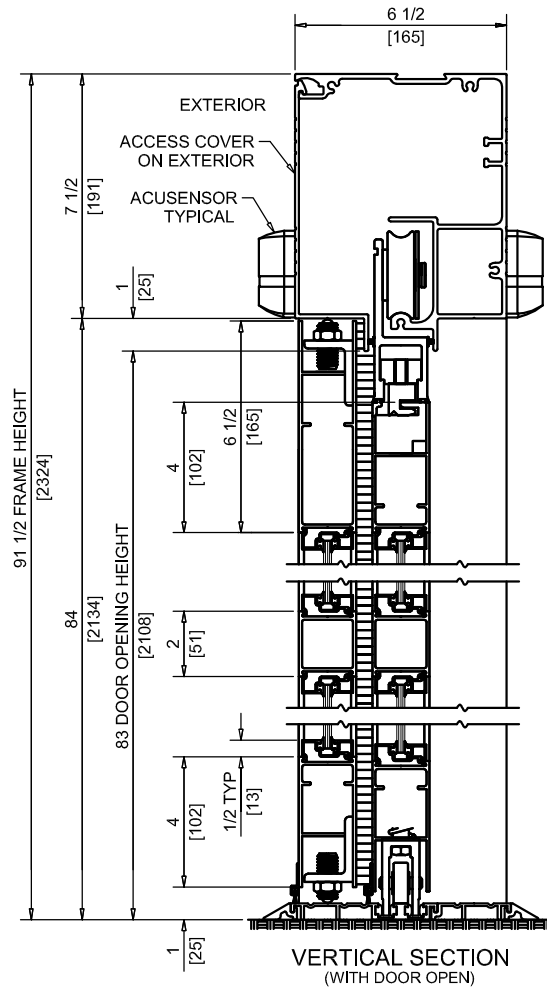
NABCO Entrances Inc.  
 S82 W18717 Gemini Drive Muskego, WI 53150  
 www.nabcoentrances.com 1-877-622-2694

JOB NAME: \_\_\_\_\_  
 LOCATION: \_\_\_\_\_  
 DISTRIBUTOR: \_\_\_\_\_  
 DOOR #: \_\_\_\_\_ DATE: \_\_\_\_\_  
 SHEET \_\_\_\_\_ OF \_\_\_\_\_

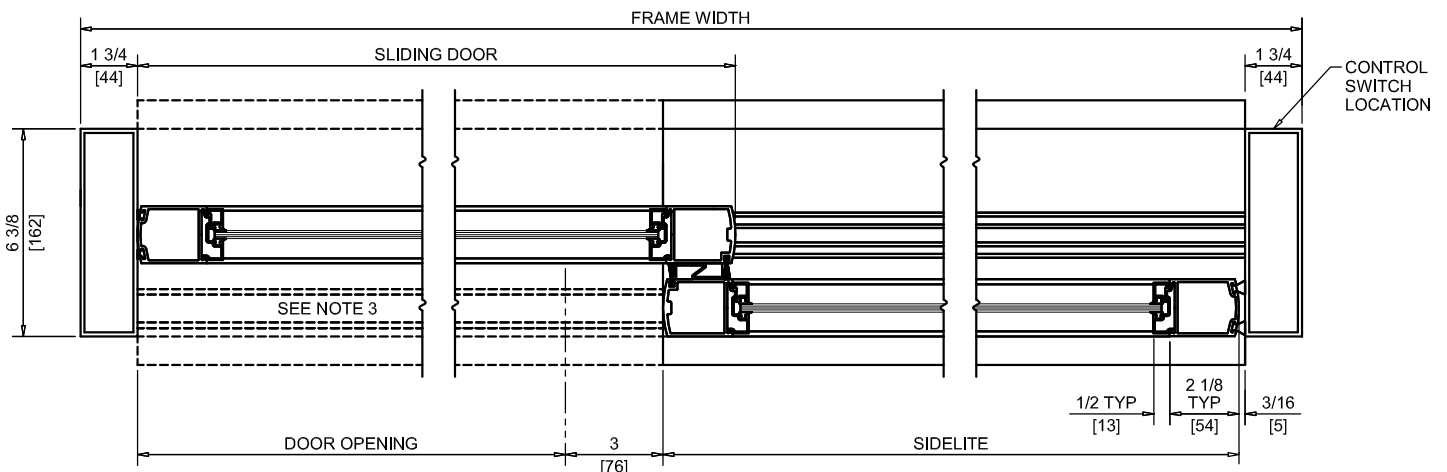
**WHISPER SLIDE**  
**GT1175-03R-RA**  
 REVERSE ACCESS  
 SINGLE SLIDE  
 RIGHT HAND  
 FULL OPEN



EXTERIOR ELEVATION/PLAN



VERTICAL SECTION  
 (WITH DOOR OPEN)



HORIZONTAL SECTION

DOOR OPENING	FULL BREAKOUT OPENING	FRAME WIDTH	SLIDING DOOR	SIDELITE
36" [914]	76" [1930]	7'-0" [2133]	41 1/4" [1047]	41 5/16" [1049]
42" [1066]	88" [2235]	8'-0" [2438]	47 1/4" [1200]	47 5/16" [1201]
44" [1117]	94" [2388]	8'-6" [2590]	49 1/4" [1250]	51 5/16" [1303]
48" [1219]	100" [2794]	9'-0" [2743]	53 1/4" [1352]	53 5/16" [1354]

- NOTES:
- POWER TO HEADER WILL BE 115VAC, 5 AMP PER OPERATOR PROVIDED BY ELECTRICAL CONTRACTOR.
  - STANDARD LOCATION OF LOCK IS 35" FROM FINISH FLOOR TO CENTERLINE OF KEY CYLINDER.
  - THRESHOLD THROUGH DOOR OPENING (AS SHOWN WITH DASHED LINES) IS OPTIONAL.
  - MASONRY OPENING EQUALS FRAME WIDTH +1/2" AND FRAME HEIGHT +1/4".
  - ONE SET OF HOLDING BEAMS AT 21" AFF STANDARD.