



GT2100 Full Open, no Track, Telescopic Slide Door

Quick Set-Up Parts Guide

P/N 15-12499-009 Rev 11-20-14

Nabco Entrances Inc. S82 W18717 Gemini Drive Muskego, Wisconsin 53150

Phone: (877) 622-2694 Fax: (888) 679-3319 www.nabcoentrances.com

Associated Manuals Part Numbers: *Architectural Specifications Manual*
"GT 2100 Manual Slider Installation Manual" (P/N 15-10791)

WARNING

- Turn OFF all power to the Automatic Door if a Safety System is not working.
- Instruct the Owner to keep all power turned OFF until corrective action can be achieved by a NABCO trained technician. Failure to follow these practices may result in serious consequences.
- NEVER leave a Door operating without all Safety detection systems operational.

Table of Contents

1	INSTALL FRAME	2
2	INSTALL THE FULL OPEN SIDELITE PANEL	2
3	INSTALL THE TRAIL DOOR	2
4	INSTALL THE LEAD DOOR	2
5	ADJUSTMENTS	3
	SERVICE PARTS: HEADER	5
	SERVICE PARTS: FULL OPEN SIDELITE	7
	SERVICE PARTS: RIGHT HAND FULL OPEN SIDELITE	8
	SERVICE PARTS: LEFT HAND FULL OPEN SIDELITE	9
	SERVICE PARTS: TRAIL DOOR	11
	SERVICE PARTS: RIGHT HAND TRAIL DOOR	12
	SERVICE PARTS: LEFT HAND TRAIL DOOR	13
	SERVICE PARTS: LEAD DOOR	16
	SERVICE PARTS: RIGHT HAND LEAD DOOR	17
	SERVICE PARTS: LEFT HAND LEAD DOOR	18

1 Install Frame

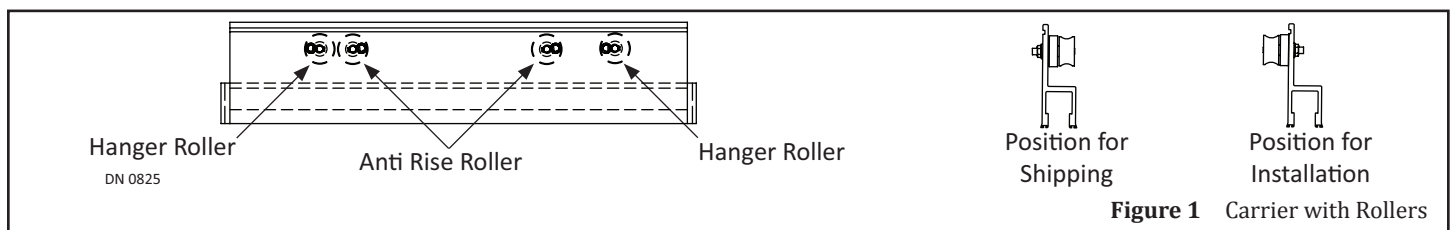
1. Go to the non-breakout side of rough opening. Place Header on a flat surface with the removable cover facing up.
2. Refer to the instruction sticker located on each Jamb Tube to properly orientate Jamb Tubes.
3. Remove Cover from Header. Remove Parts boxes and/or Parts bags from inside Header. Set aside.
4. Go to the Roller Track for the Lead Door. Remove (4) Rail Clamps. Set Hardware aside. Remove the Roller Track.
5. Measure to ensure each Jamb Tube is on the correct side of Header. 3/8 inch gap between the Back of Header and the Jamb Tube. 1/4 inch gap between the front of Header and the Jamb Tube.
6. Install Frame to Rough Opening with 1/4 inch diameter anchors or 3/8 inch threaded rods, with a maximum 48 inches on center for the Header and Jamb Tubes (First anchor maximum is 36 inches from each end of the Header).

2 Install the Full Open Sidelite Panel

1. Center and butt the Bottom Pivot Assembly up against the inside, side of the Pivot Jamb Tube so the Bottom Bushing is on the Breakout side of opening.
2. With a 1/4 inch Masonry drill bit, drill through each screw hole at least 1-1/2 inches deep. Remove the Bottom Pivot.
3. Insert (1) #16 Hi-Red Anchor into each drilled hole. Replace the Bottom Pivot.
4. Permanently secure the Bottom Pivot to the Floor by screwing (1) #14 x 1-1/2 inch Phillips Head Screws into the #16 Hi-Red Anchors. Cap the Bottom Pivot Barrel with Bushing.
5. Insert the Pivot Pin (located at the bottom of the Pivot Stile within the Sidelite Panel) into the Bottom Pivot Bushing.
6. Push the Retracting Pin (located at the top of the Pivot Stile within the Sidelite Panel) down until it is aligned with the Retracting Pivot Pin hole (located at the bottom of Header). Let go of the Retracting Pin so it can snap into hole. It may be necessary to lift up the Retracting Pin with a screwdriver so it can fully engage the hole.
7. Fully open and close the Sidelite Panel to check for obstructions. If deemed necessary, adjust the Sidelite Panel by adding or removing (1-3) Washers from the Bottom Pivot.
8. Drill (1) hole at the bottom of Header for the Flush Bolt (located at the top of Strike Stile) to lock into.
9. Secure (1) Bottom Guide to the bottom of Strike Stile with (2) 1/4" Star Washers and (2) 1/4 - 20 x 3/4" Hex Cap Screws.

3 Install the Trail Door

1. Cover the Sidelite Panel with cardboard on the non-breakout side.
2. Remove each Roller located at the front of Carrier. Refer to the instruction sticker to reinstall each Roller to the back of Carrier.
 - a. Ensure each Roller is horizontally aligned to each other. Please see Figure 1.



3. Slightly tilt the Trail door to make it easier for the (4) Rollers to 'catch' onto the track.
4. With the Trail Door tilted install the Carrier onto the Track and on top of the Bottom Guide.
5. Adjust the Trail Door in Section 5 "Adjustments"; then come back to complete installation.
6. Secure (1) Bottom Guide to the bottom of Strike Stile with (2) 1/4" Star Washers and (2) 1/4 - 20 x 3/4" Hex Cap Screws.

4 Install the Lead Door

1. Cover the Trail Panel with cardboard on the non-breakout side.
2. Reinstall the Roller Track. It is recommended to tilt the Roller Track until it is inserted within the Header Slot, then dropped down until it is perpendicular to the floor before securing each Rail Clamp.
3. Remove each Roller located at the front of the Carrier. Refer to the instruction sticker to reinstall each Roller to the back of the Carrier. Ensure each Roller is horizontally aligned to each other. Please see Figure 1.
4. Slightly tilt the Lead door to install the Carrier onto the Track and on top of the Bottom Guide.
5. Refer to Section "5 Adjustments"; to adjust the Lead door then come back to complete installation.

5 Adjustments

5.1 Adjust Height on Trail Door through Mill Cut Out

1. There is a 4-1/2 inch cutout located on the Roller Track directly behind the Hanger Roller. Use a 1/2 inch Wrench and a 5/32 inch Allen Wrench to make adjustments.

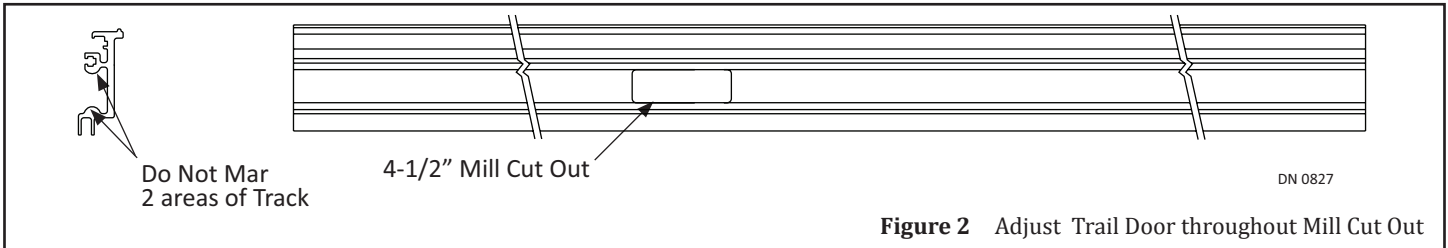


Figure 2 Adjust Trail Door throughout Mill Cut Out

5.2 Adjust Height on Lead Door

CAUTION

Do Not rotate the stud counter-clockwise. Doing so will unthread the Axle from the Hanger Roller assembly

1. Measure the gap between the door and the floor. The gap must be between 3/16" to 7/16" (3/8" nominal).
2. Loosen each Hanger Roller Nut. It is recommended to adjust the (2) Hanger Rollers located at each end of door first.
3. Turn each axle clockwise to raise or lower the Sliding door. Retighten each Hanger Roller nut. Do not overtighten.
4. Loosen each Anti-Rise Roller nut. Turn each axle clockwise until each Anti-Rise Roller almost makes contact with the top of Roller Track. Gap should be about the same thickness of a credit card. Retighten each Anti-Rise Roller nut.

5.3 Adjust Preload on Slide Door

CAUTION

Glass must be installed first before adjusting Preload on Slide Door.

CAUTION

When a Preload Block is shifted, it will be necessary to gently tap on one end of the Interface Leg (located inside the Carrier) until it is properly recentered.

1. Support the weight of sliding door. Breakout sliding door approximately 75 degrees. Check for door sag.
2. Go to the Preload Block located inside the Top Rail. Loosen (2) Locking Bolts.
3. Go to the back edge of Pivot Stile. Reduce door sag by tightening the 5/16 inch Adjustment Set Screw with a 5/32 inch Allen Wrench.
 - a. The door should lift without having to be manually lifted.
 - b. Do not allow the Adjusting Set Screw to protrude more than 5/32 inch past the end of stile.
 - c. If an optional 1/2 inch Adjustment Set Screw provided by NABCO is deemed necessary, it could mean the Preload is misaligned. Go to Section 5.4 before replacing the 5/32 inch Adjustment screw.

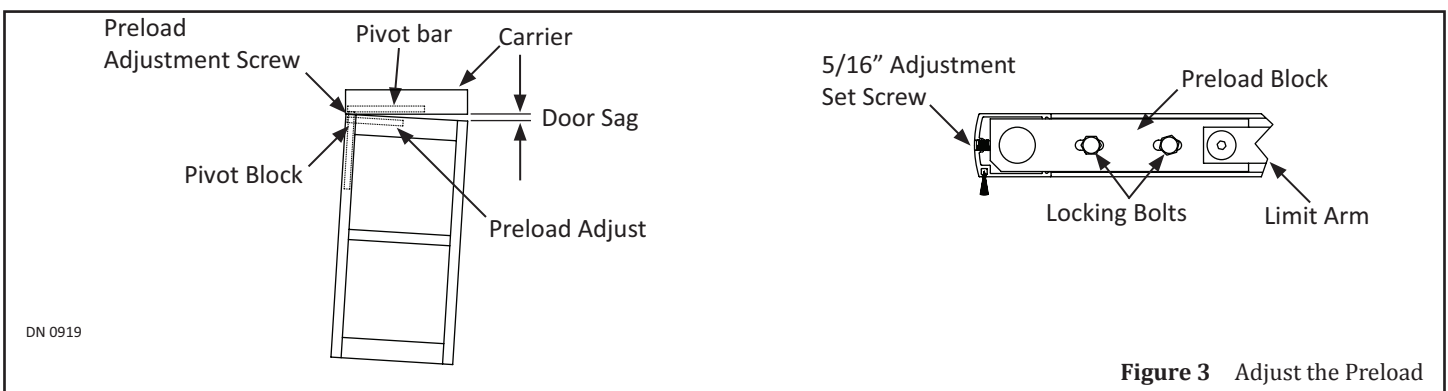
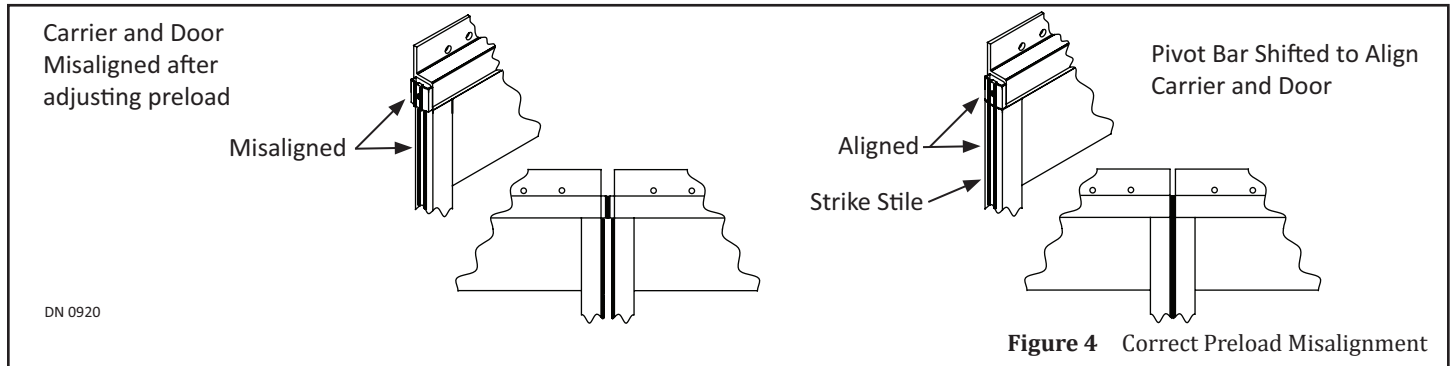


Figure 3 Adjust the Preload

5.4 Correct Preload Misalignment

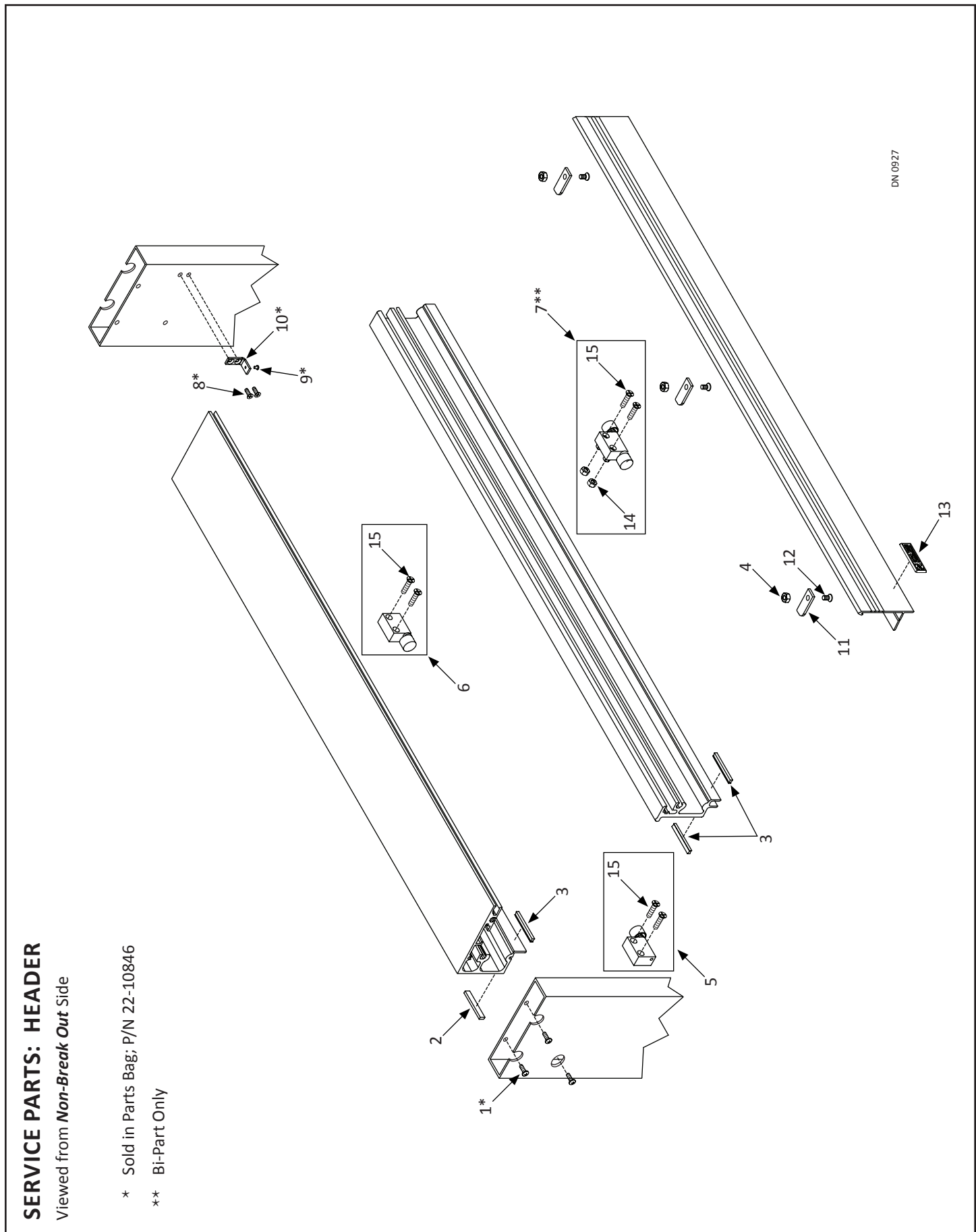
1. Check to see if misalignment exists on the Strike end of the Door and Carrier.
2. Loosen the Allen head fasteners on the Pivot bar that is located inside the Carrier. Slide the Pivot bar until the door and Carrier are properly aligned.
3. Verify that the Panic Catch inside the Top Rail and the Carrier are still aligned. If not, loosen the 5/16 inch set screw to align the Carrier Panic Catch with the Top Rail Panic Catch.



5.5 Adjust the Nose Caster

Note: Nose Casters are pre-installed for Sliding Doors that are 54 inches Wide (or greater) and/or over 200 pounds.

1. Loosen the #8-32 Set Screw.
2. Position the Wheel so it is perpendicular to the Bottom Rail.
3. Retighten the #8-32 Set Screw.
4. Break open the Slide door. Ensure the Slide door does not scrape the floor. If it does lower the Nose Caster further.



SERVICE PARTS: HEADER

Viewed from *Non-Break Out Side*

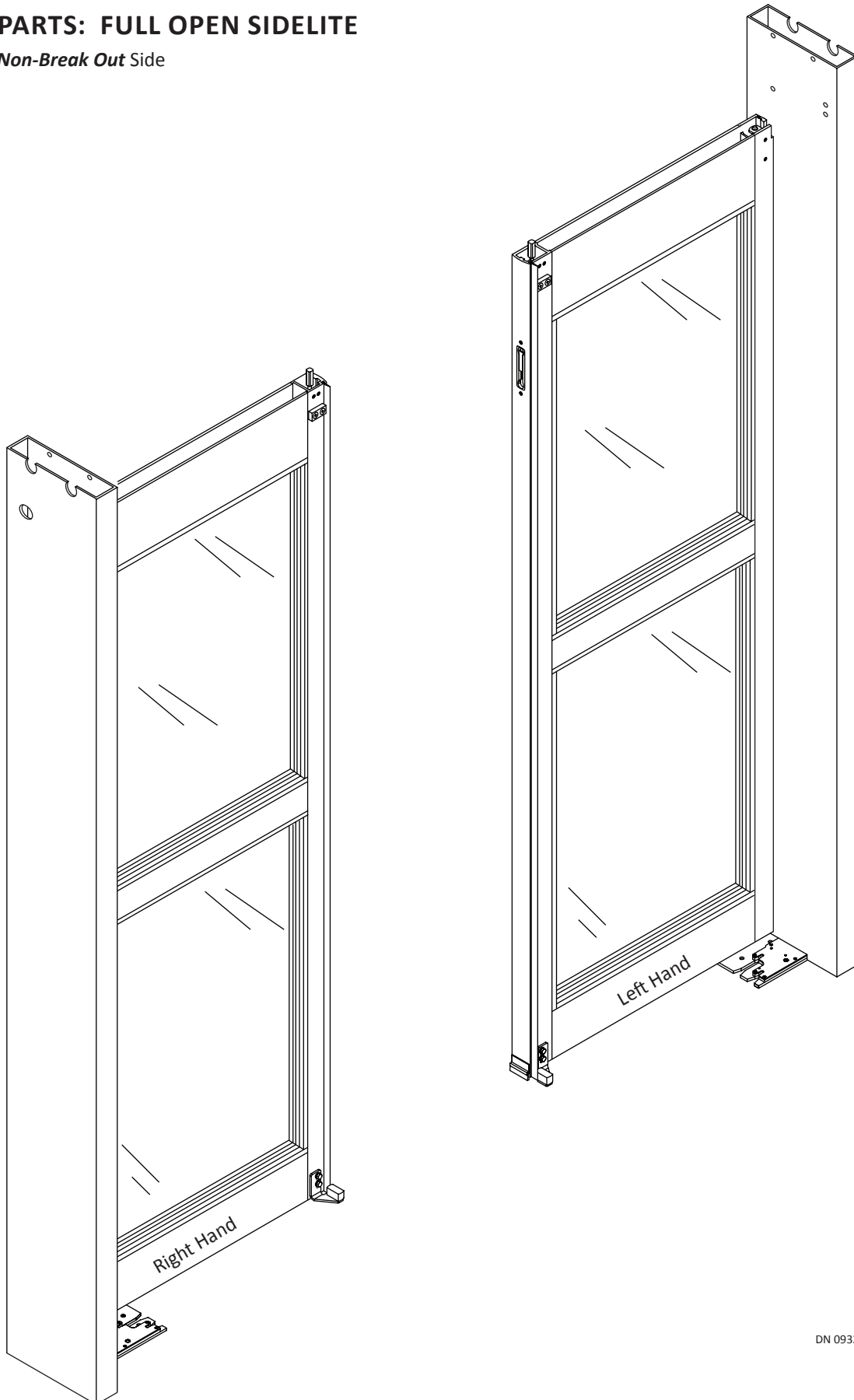
* Sold in Parts Bag; P/N 22-10846

** Bi-Part Only

Header			
Item	Part	Finish/Sizes/Notes	Description
1	24-0015-61	Zinc	RHMS,1/4-20 X 3/4" PHIL, TYPE F, ZN
2	14-8161-01	Smoke Seal Only/Gray	TAPE, .25 X .50 FOAM
3	14-2279-05	Smoke Seal Only/Black	PILE WEATHERING, BLK, .45 TALL, W/ ADHES
4	24-0021-14	Zinc	HEX NUT, 1/4-20, ZN
5	12-10714	Right Hand	END STOP ASSEMBLY - RH
6	12-10829	Left Hand	END STOP ASSEMBLY - LH
7	12-11107	Bi-Part	DOOR STOP ASSEMBLY CENTER -BIPART
8	24-0011-70	Zinc	FHMS, 1/4-20 X 7/16", PHIL, UND, ZN
9	24-0015-22	Zinc	RHMS,#8-32 X 1/4", PHIL, ZN
10	14-10727		CLIP, COVER
11	14-10710		RAIL CLAMP, TELESCOPIC
12	24-0011-12	Zinc	FHMS, 1/4-20 X 1/2", PHIL, ZN
13	14-9199		NAMEPLATE, ADHESIVE BACKED
14	24-0021-14		HEX NUT, 1/4-20, ZN
15	24-0011-09		FHMS,1/4-20 X 1,PHILLIPS

SERVICE PARTS: FULL OPEN SIDELITE

Viewed from *Non-Break Out* Side

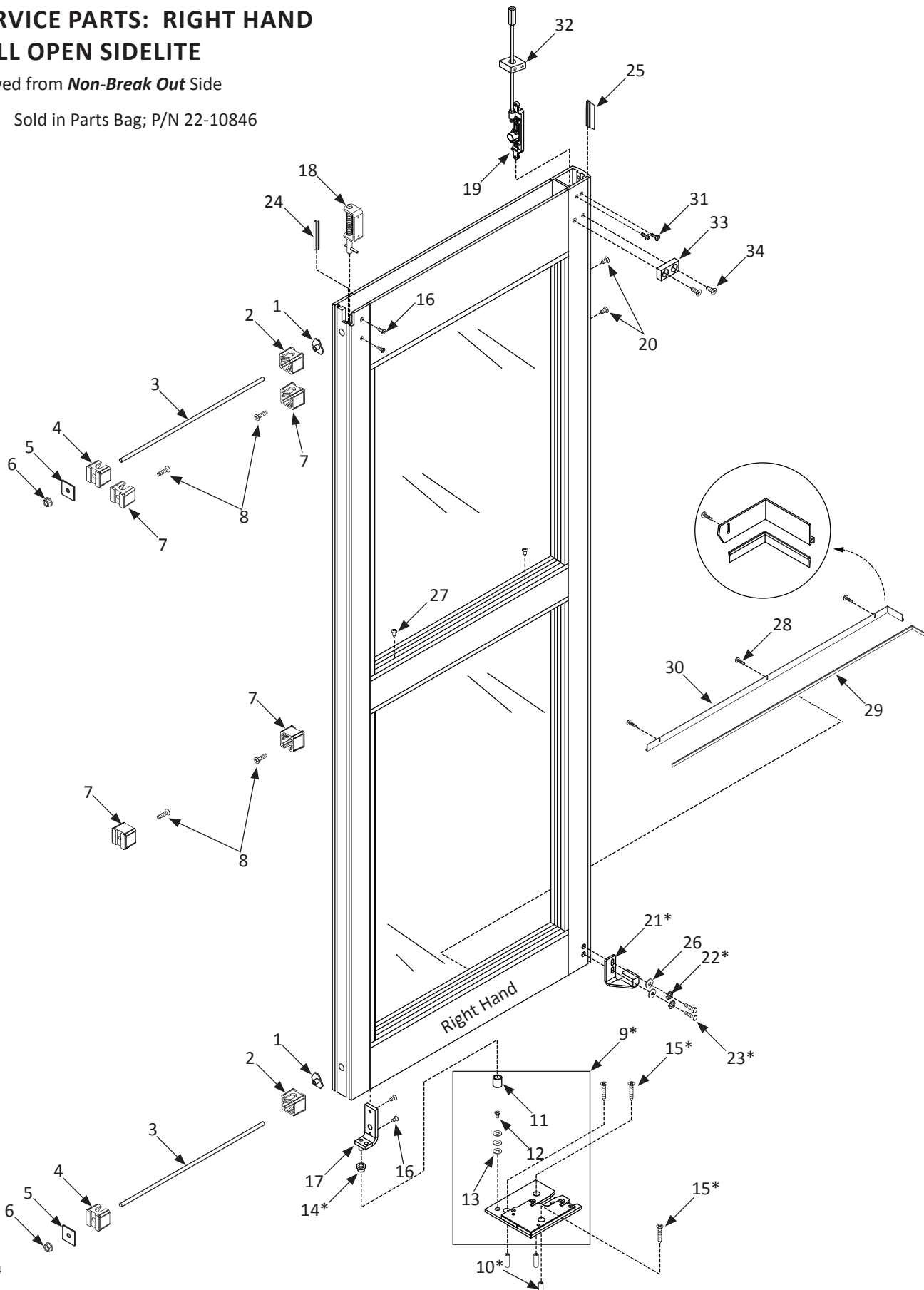


DN 0932

SERVICE PARTS: RIGHT HAND FULL OPEN SIDELITE

Viewed from *Non-Break Out* Side

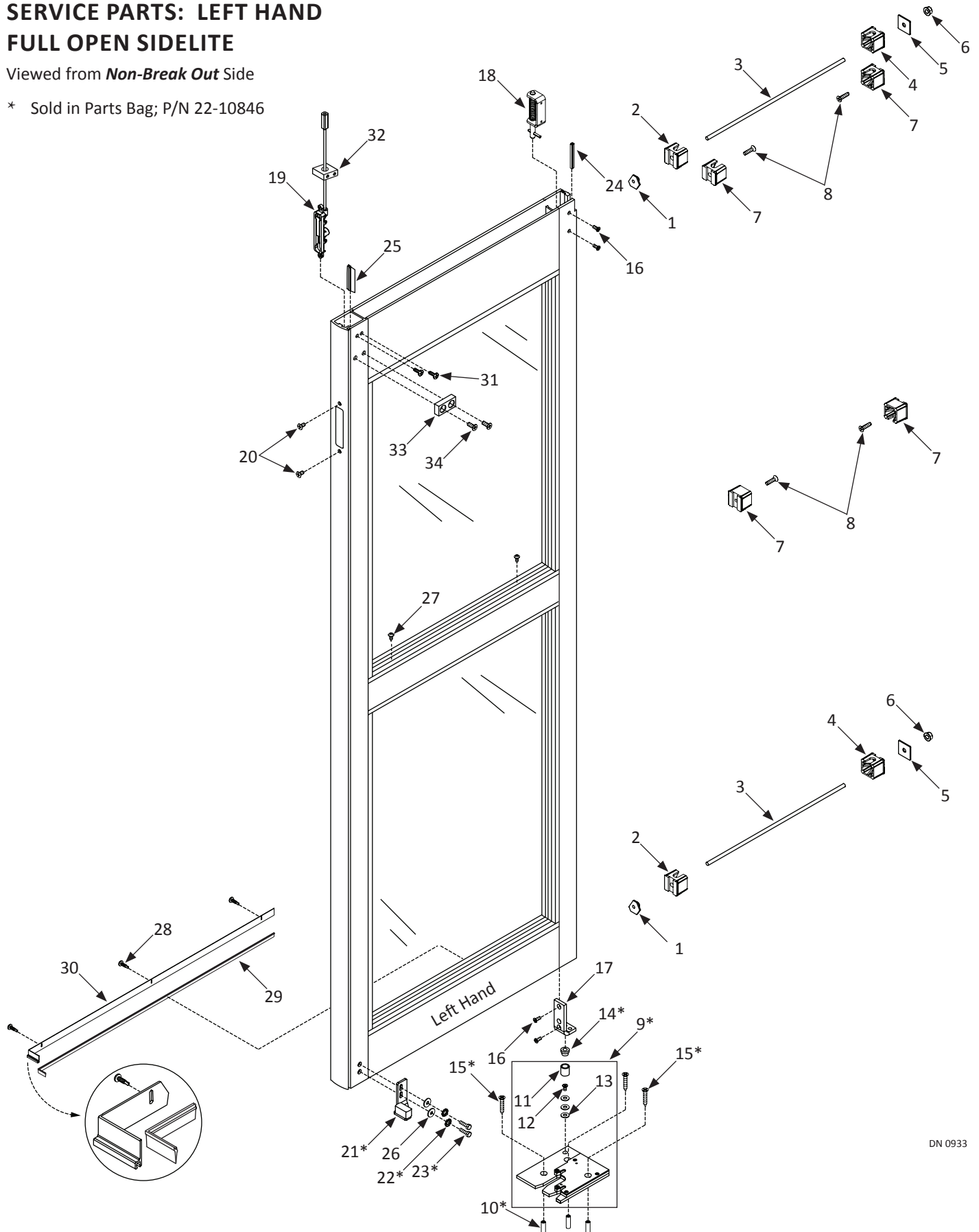
* Sold in Parts Bag; P/N 22-10846



SERVICE PARTS: LEFT HAND FULL OPEN SIDELITE

Viewed from *Non-Break Out* Side

* Sold in Parts Bag; P/N 22-10846

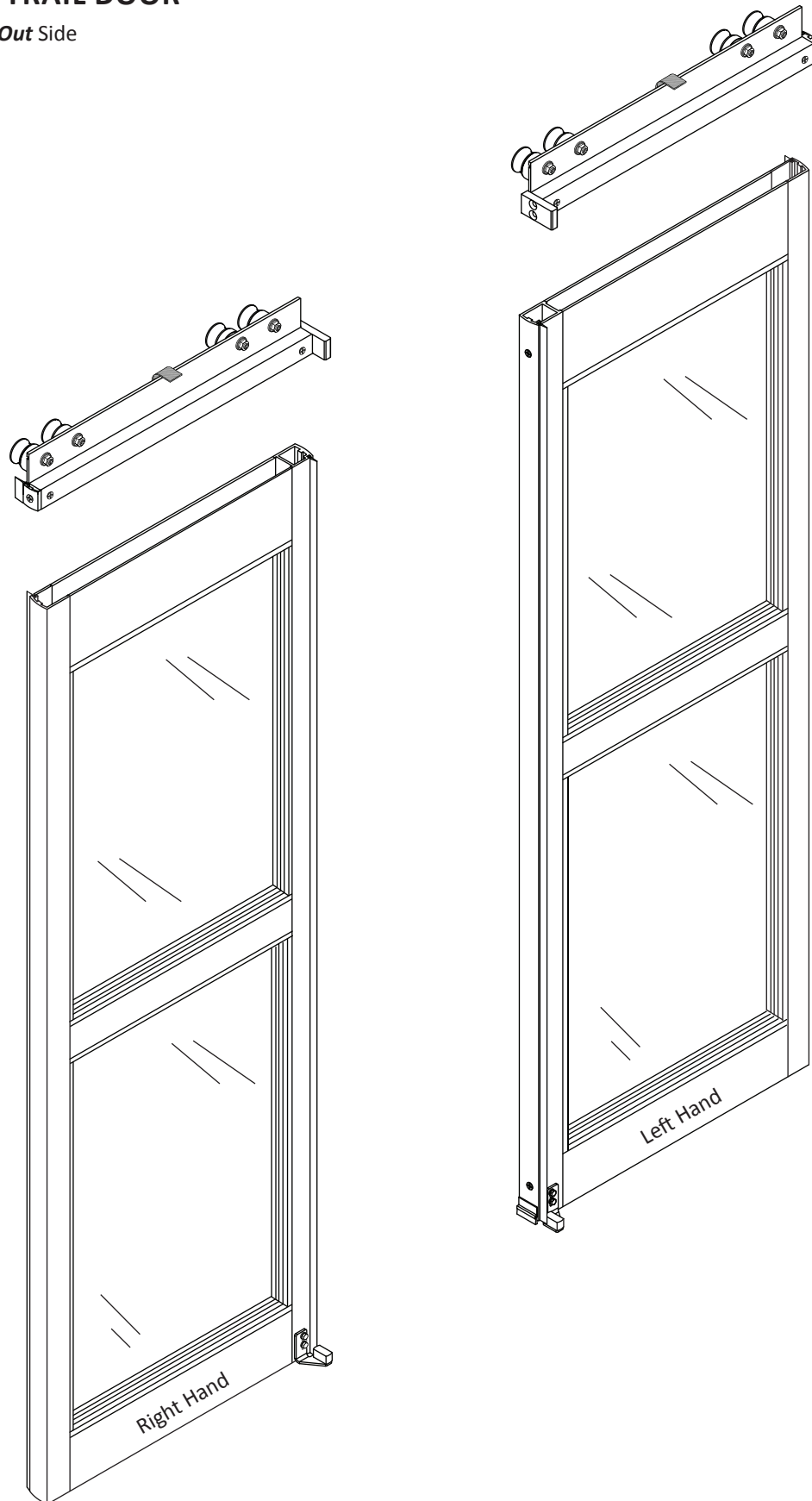


DN 0933

				Sidelite
Item	Part	Finish/Sizes/Notes	Description	
1	14-9279		OFFSET TEE NUT, 3/8"-16	
2	24-9503		CLIP, MUNTIN BAR - RAIL .500 HOLE	
3	14-3624	Zinc	THREADED ROD, 3/8"-16 - ZINC PLATED	
4	24-9504		CLIP, MUNTIN BAR - RAIL .386 HOLE	
5	14-9225		BACKING PLATE, TIE ROD - DOOR ASSEMBLY	
6	24-0021-21	Zinc	NUT, WHIZLOCK, 3/8-16, ZN	
7	24-9502		CLIP, MUNTIN BAR - RAIL .261 HOLE	
8	24-4941-02	Zinc	FHMS, 1/4-20 X 1", PHIL, TRILOBE, ZN	
9	12-10844		PIVOT ASSEMBLY TELESCOPIC RH	
	12-10845		PIVOT ASSEMBLY TELESCOPIC LH	
10	14-1018		ANCHOR - PLASTIC #14 X 1 BLUE	
11	14-10724		BOTTOM PIVOT - SWING PANEL	
12	24-0011-13		FHMS, 1/4-20 X 3/4", PHIL, ZN	
13	24-0017-14		WASHER, 5/16 ID X 3/4 OD X .062 THK	
14	24-2458		BOTTOM PIVOT BUSHING, SWING PANEL	
15	24-0031-21		FHSMS, 14 X 1 1/2", TYPE A, PHIL	
16	24-0011-105		FHMS, 10-32 X 1/2", PHIL, UND, ZN	
17	11-9509-02	RH	BOTTOM PIVOT SWING PANEL ASSY - RH	
	11-9509-01	LH	BOTTOM PIVOT SWING PANEL ASSY - LH	
18	21-9507		ASM, TOP PIVOT, 1175 SWING PANEL	
19	24-5505-01	Clear	FLUSH BOLT MACHINED	
	24-5505-02	Dark Bronze	FLUSH BOLT MACHINED	
20	24-0011-72		FHMS,10-24 X 3/8", PHIL, UND	
21	12-12409	LH	GUIDE BLOCK SUB ASSY NARROW STILE - LH	
	12-12410	RH	GUIDE BLOCK SUB ASSY NARROW STILE - RH	
	12-12411	LH	GUIDE BLOCK SUB ASSY MEDIUM STILE - LH	
	12-12412	RH	GUIDE BLOCK SUB ASSY MEDIUM STILE - RH	
22	24-0019-05		1/4" EXTERNAL STAR WASHER	
23	24-0014-02	Zinc	HHCS, 1/4-20 X 3/4", ZN	
24	14-8632	Black	WEATHERING TRI POLY BLACK BULB	
25	14-5592-01	Smoke Seal Only/Gray	WEATHER STRIP - 9/16 IN VINYL FIN, GRAY	
	14-5592-02	Smoke Seal Only/Black	WEATHER STRIP - 9/16 IN VINYL FIN, BLACK	
26	24-0017-04		WASHER, 1/4 ID X 9/16 OD X .049 THK, STL	
27	24-0094-01		PHSMS, 10 X 1/2", PHIL, TYPE A	
28	24-0013-03	Smoke Seal Only/Zinc	PHSMS, 6 X 1/2", PHIL, TEKS, ZN	
	24-0013-04	Smoke Seal Only/Black Oxide	PHSMS, 6 X 1/2", PHIL, TEKS, BLK ZN	
29	14-3933-01	Smoke Seal Only/Gray	WEATHERING GRAY VINYL 1 IN FIN	
	14-3933-02	Smoke Seal Only/Black	WEATHERING BLACK VINYL 1 IN FIN	
30	14-10659-01	Smoke Units Only/LH/Clear	WEATHERING HOLDER	
	14-10659-02	Smoke Units Only/LH/Dark Bronze	WEATHERING HOLDER	
	14-10660-01	Smoke Units Only/RH/Clear	WEATHERING HOLDER	
	14-10660-02	Smoke Units Only/RH/Dark Bronze	WEATHERING HOLDER	
31	24-4941-18		PHMS, 10-32 X 1/2", PHIL, TYPE F	
32	24-10774		LOCK ROD GUIDE - PLASTIC LOCK ROD END	
33	14-10766		SPACER 2100 TELESCOPIC	
34	24-0011-131		FHMS, 10-32X1/2", PHIL, TYP 23, UND, ZN	

SERVICE PARTS: TRAIL DOOR

Viewed from *Non-Break Out* Side

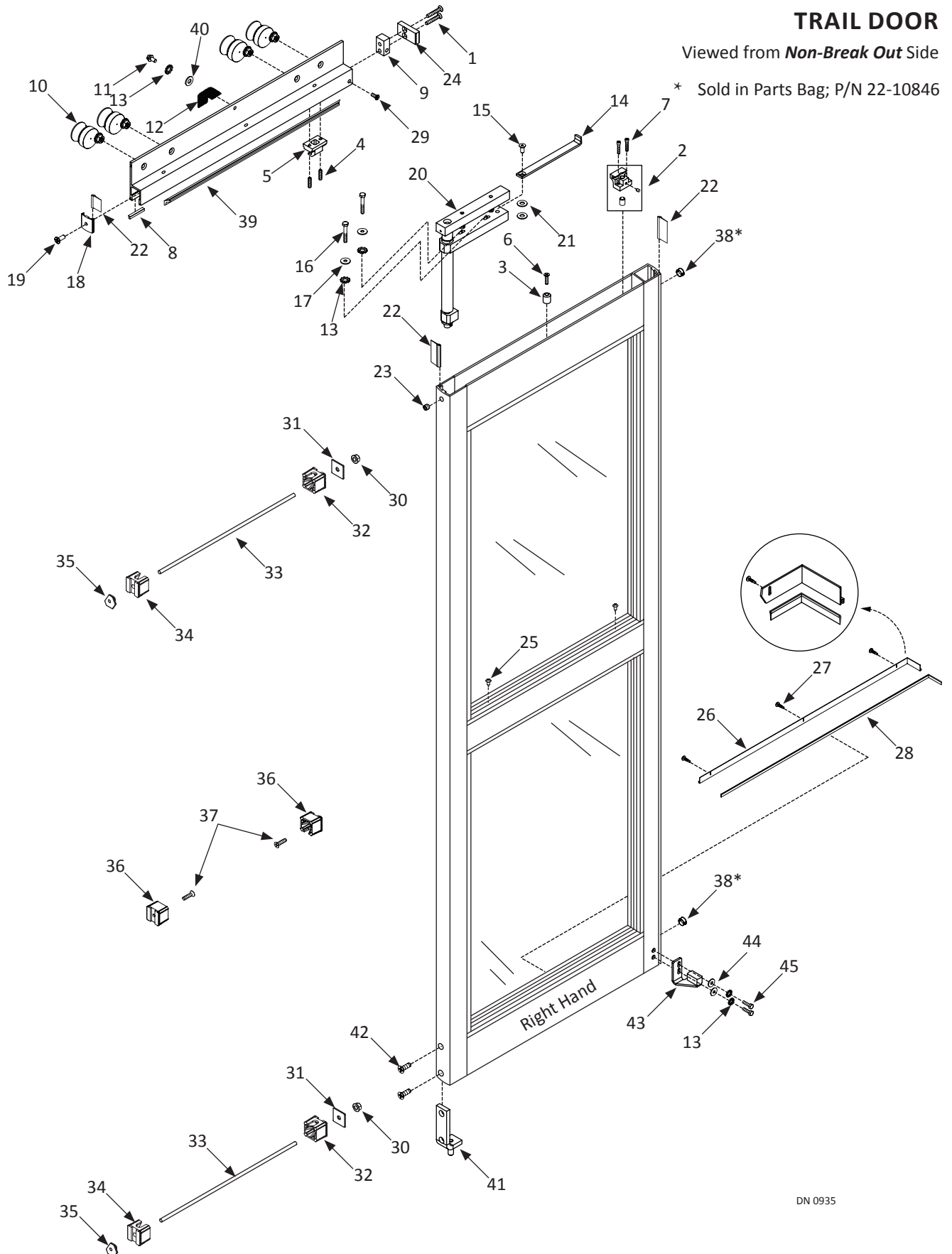


DN 0937

SERVICE PARTS: RIGHT HAND TRAIL DOOR

Viewed from *Non-Break Out* Side

* Sold in Parts Bag; P/N 22-10846

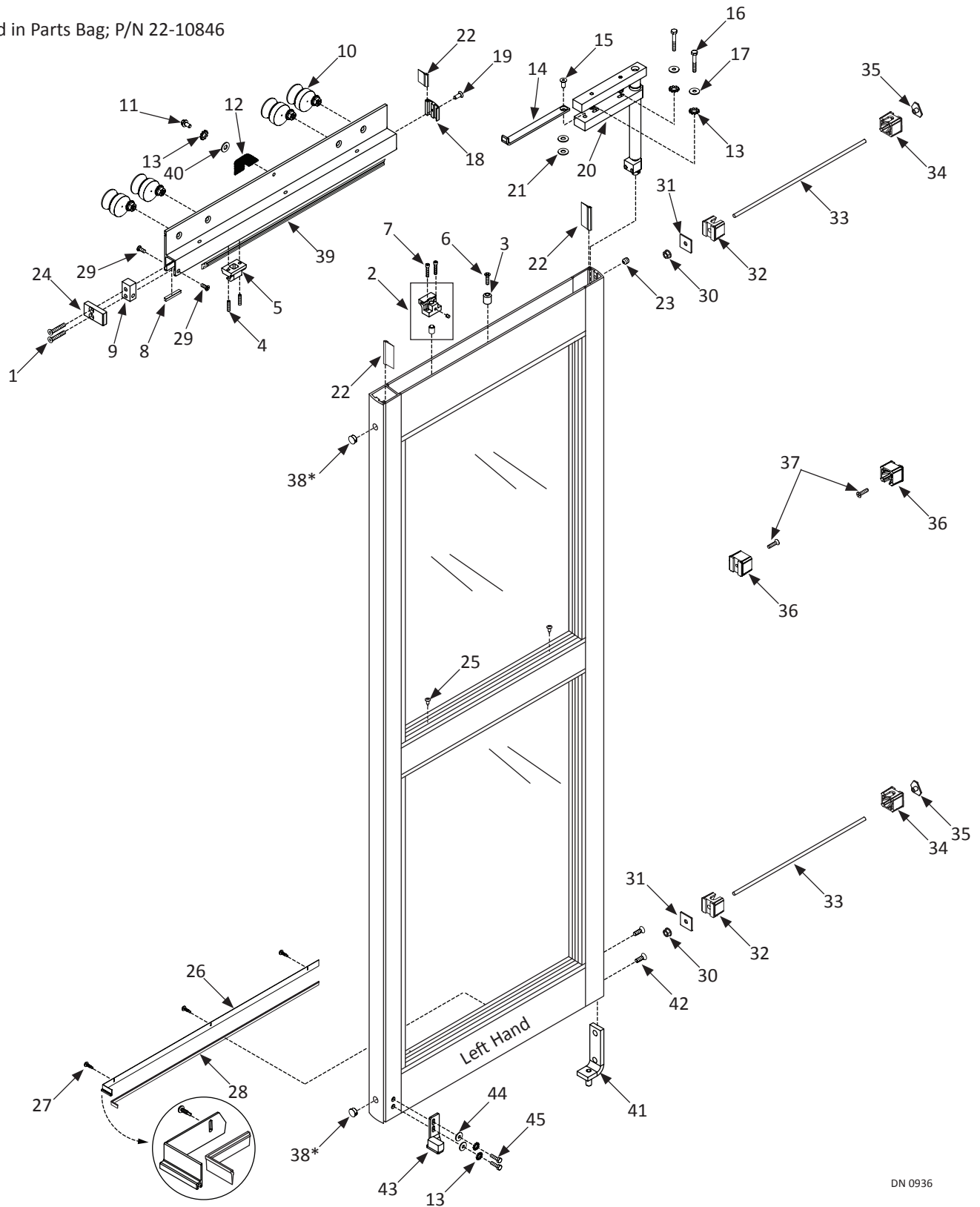


DN 0935

SERVICE PARTS: LEFT HAND TRAIL DOOR

Viewed from *Non-Break Out Side*

* Sold in Parts Bag; P/N 22-10846



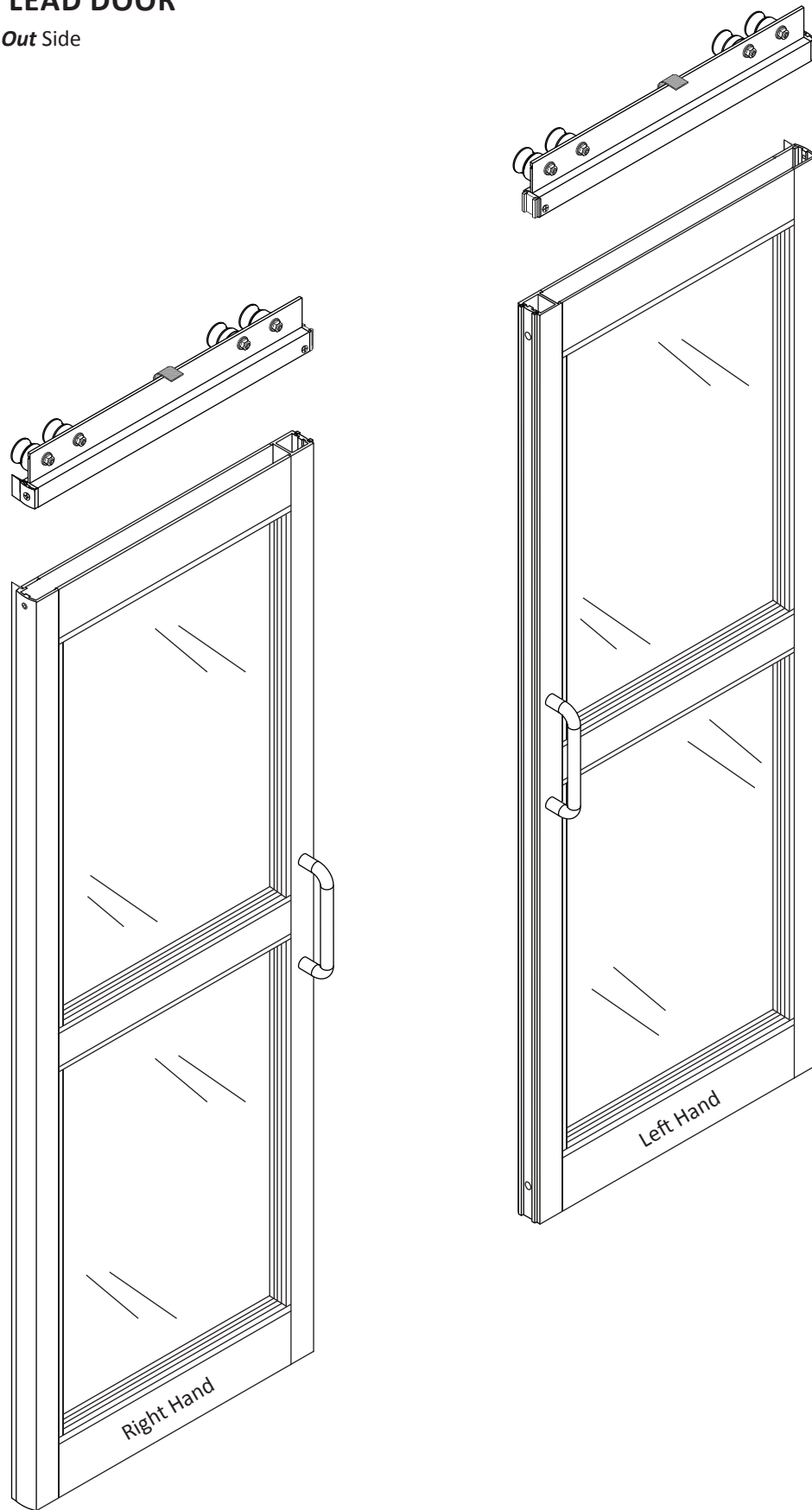
DN 0936

Trail Door			
Item	Part	Finish/Sizes/Notes	Description
1	24-0011-71		FHCS, 1/4-20 X 1 1/4", BLK OX, GRADE 8
2	21-3468		ASM, PANIC CATCH, LOWER PART
3	14-8447		LIMIT ARM SUPPORT
4	24-0016-30		SHSS, 5/16-18 X 1.25", CUP
5	24-9483		PANIC CATCH, UPPER PART
6	24-4941-02	Zinc	FHMS, 1/4-20 X 1", PHIL, TRILOBE, ZN
7	24-0010-16		SHCS, 1/4-20 X 1 1/4"
8	14-2279-04	Smoke Seal Only	PILE WEATHERING, BLK, .20 TALL, CARRIER
9	14-12065		STRIKE MOUNTING BLOCK - COME ALONG
10	12-10027		30mm HANGER ROLLER & HUB SUBASSY
11	24-0014-39	Green	HWHMS, 1/4-20 X 3/8", SLOT, GREEN
12	14-10907-01		STATIC ARRESTOR STRIP 4"
13	24-0019-05		1/4" EXTERNAL STAR WASHER
14	21-8396		LIMIT ARM, STD STILES
15	24-0011-77	Zinc	FHCS, 7/16-14 X 1", ZN
16	24-0014-12		HHCS, 1/4-20 X 1 3/4"
17	24-0017-04		WASHER, 1/4 ID X 9/16 OD X .049 THK, STL
18	14-10561-01	Clear	END CAP, PIVOT - TRAIL DOOR MILLED 204
	14-10561-02	Dark Bronze	END CAP, PIVOT - TRAIL DOOR 313
19	24-0011-130	Black Zinc	FHMS 10-32X1/2" PHIL TYP 23, UND, BLK ZN
	24-0011-131	Zinc	FHMS, 10-32X1/2", PHIL, TYP 23, UND, ZN
20	24-12002-10		CARRIER PVT ASSY NARROW STILE-UL PART
	24-12002-20		CARRIER PVT ASSY MED STILE-UL PART
	24-12002-30		CARRIER.PVT ASY - NRW STL-PNL <22.75-UL
	24-12002-40		CARRIER.PVT ASY - MD STL- PNL < 22.75"UL
21	24-0017-02		WASHER, 7/16 ID X 1 OD X .083 THK
22	14-5592-01	Smoke Seal Only/Gray	WEATHER STRIP - 9/16 IN VINYL FIN, GRAY
	14-5592-02	Smoke Seal Only/Black	WEATHER STRIP - 9/16 IN VINYL FIN, BLACK
23	24-0016-51	Black Oxide	SHSS, 5/16-24 X 5/16" CUP PT, BLK OX
24	14-12066-01	Clear	STRIKE BRACKET - COME ALONG BRACKET 204
	14-12066-02	Dark Bronze	STRIKE BRACKET - COME ALONG BRACKET 313
25	24-0094-01		PHSMS, 10 X 1/2", PHIL, TYPE A
26	14-10659-01	Smoke Units Only/LH/Clear	WEATHERING HOLDER
	14-10659-02	Smoke Units Only/LH/Dark Bronze	WEATHERING HOLDER
	14-10660-01	Smoke Units Only/RH/Clear	WEATHERING HOLDER
	14-10660-02	Smoke Units Only/RH/Dark Bronze	WEATHERING HOLDER
27	24-0013-03	Smoke Seal Only/Zinc	PHSMS, 6 X 1/2", PHIL, TEKS, ZN
	24-0013-04	Smoke Seal Only/Black Zinc	PHSMS, 6 X 1/2", PHIL, TEKS, BLK ZN
28	14-3933-01	Smoke Seal Only/Gray	WEATHERING GRAY VINYL 1 IN FIN
	14-3933-02	Smoke Seal Only/Black	WEATHERING BLACK VINYL 1 IN FIN
29	24-0011-105		FHMS, 10-32 X 1/2", PHIL, UND, ZN
30	24-0021-21	Zinc	NUT, WHIZLOCK, 3/8-16, ZN

Trail Door			
Item	Part	Finish/Sizes/Notes	Description
31	14-9225		BACKING PLATE, TIE ROD - DOOR ASSEMBLY
32	24-9504		CLIP, MUNTIN BAR - RAIL .386 HOLE
33	14-3624	Zinc	THREADED ROD, 3/8"-16 - ZINC PLATED
34	24-9503		CLIP, MUNTIN BAR - RAIL .500 HOLE
35	14-9279		OFFSET TEE NUT, 3/8"-16
36	24-9502		CLIP, MUNTIN BAR - RAIL .261 HOLE
37	24-4941-02	Zinc	FHMS, 1/4-20 X 1", PHIL, TRILOBE, ZN
38	14-9511-04		PLUG, HOLE, .813 DIAMETER, BLK
39	24-9094-01	Clear	INTERFACE LEG - 204
	24-9094-02	Dark Bronze	INTERFACE LEG - 313
40	24-0017-46		WASHER, FLAT 1/4X5/8X.051/.080
41	12-10722		BOTTOM PIVOT BRACKET ASSY
42	24-0011-96		FHMS, 1/4-20 X 3/4, PHIL
43	12-12409	LH	GUIDE BLOCK SUB ASSY NARROW STILE - LH
	12-12410	RH	GUIDE BLOCK SUB ASSY NARROW STILE - RH
	12-12411	LH	GUIDE BLOCK SUB ASSY MEDIUM STILE - LH
	12-12412	RH	GUIDE BLOCK SUB ASSY MEDIUM STILE - RH
44	24-0017-04		WASHER, 1/4 ID X 9/16 OD X .049 THK, STL
45	24-0014-01		HHCS, 1/4-20 X 1", ZN

SERVICE PARTS: LEAD DOOR

Viewed from *Non-Break Out* Side

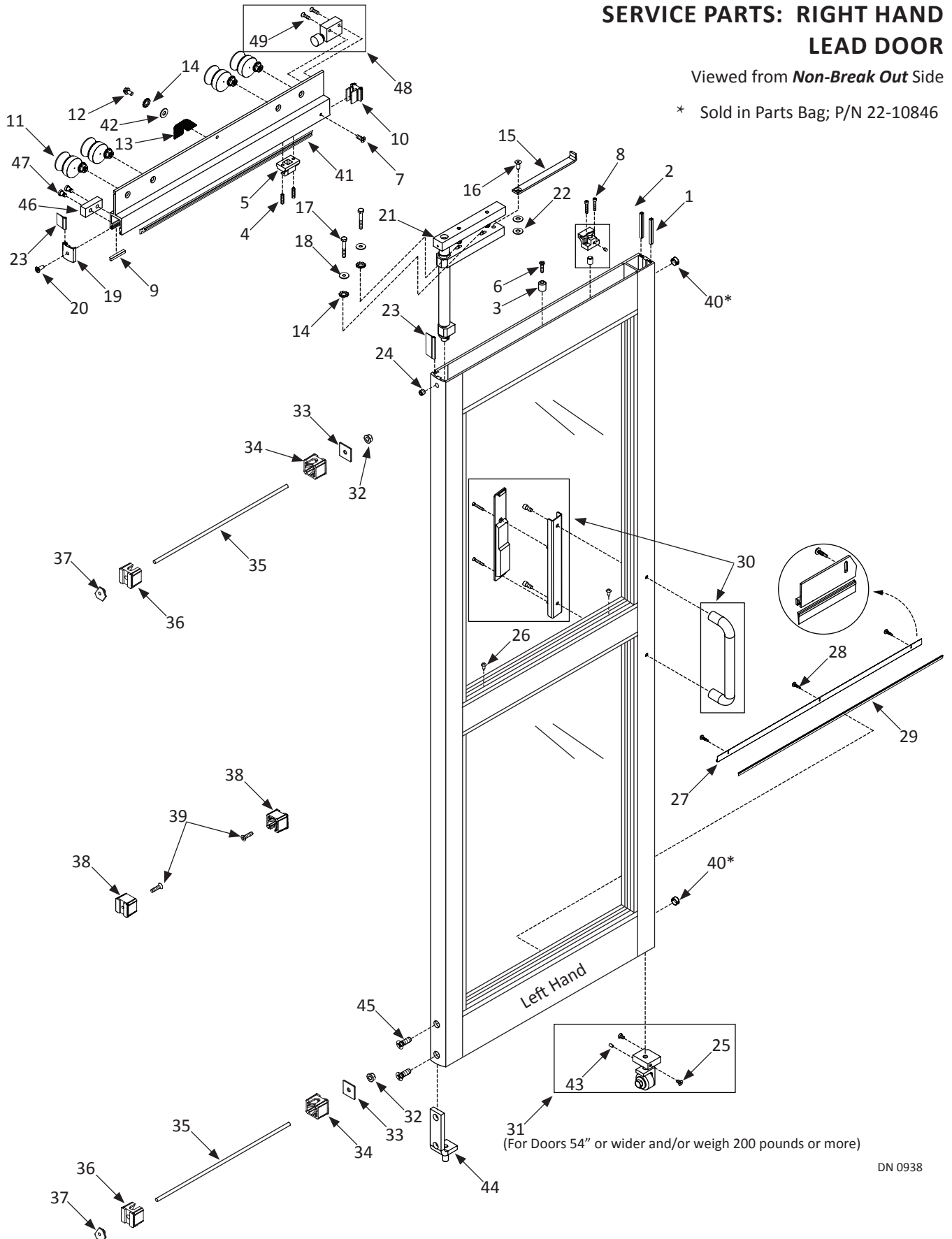


DN 0924

SERVICE PARTS: RIGHT HAND LEAD DOOR

Viewed from *Non-Break Out* Side

* Sold in Parts Bag; P/N 22-10846

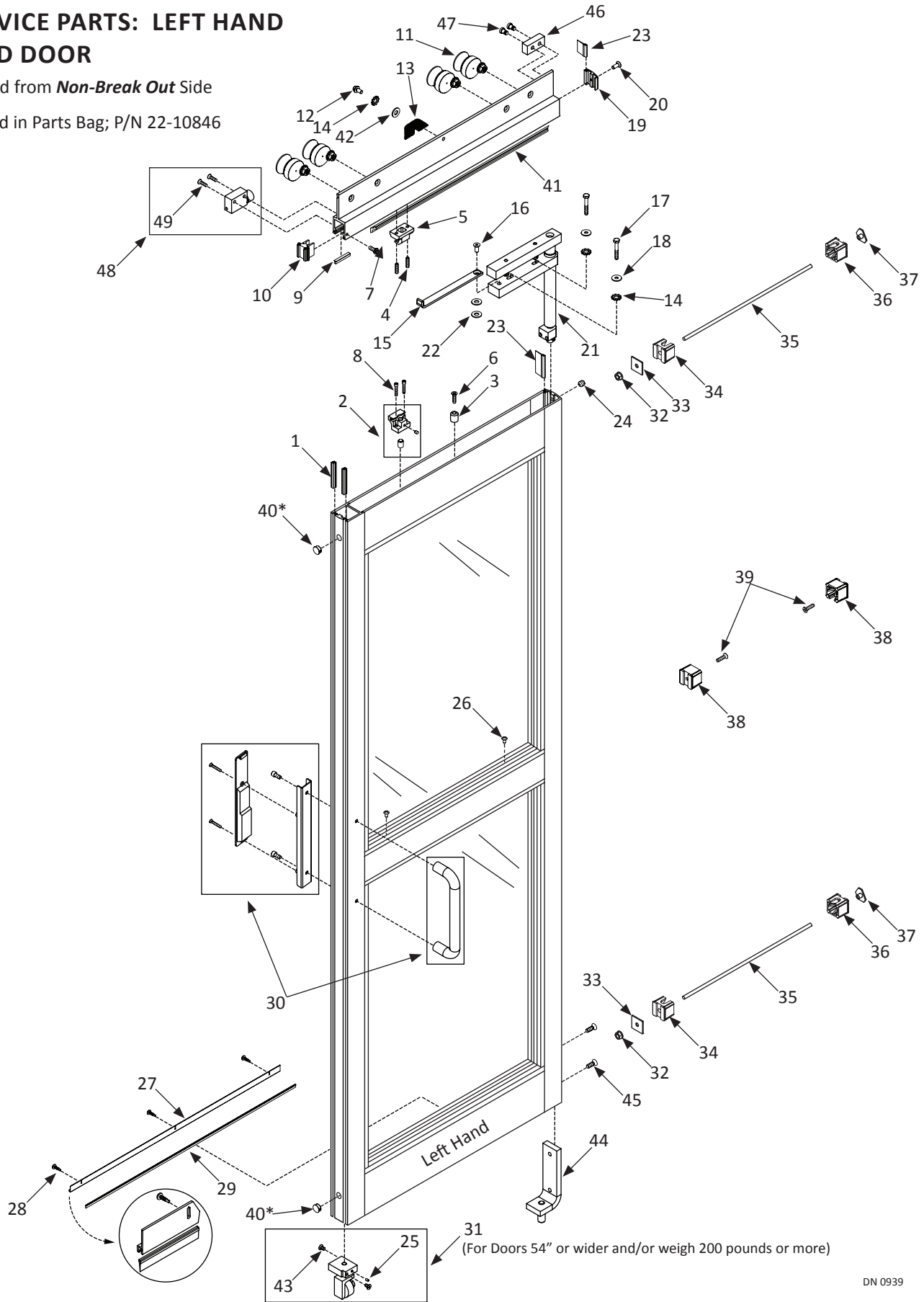


DN 0938

SERVICE PARTS: LEFT HAND LEAD DOOR

Viewed from **Non-Break Out** Side

* Sold in Parts Bag; P/N 22-10846



DN 0939

Lead Door			
Item	Part	Finish/Sizes/Notes	Description
1	14-8632	Black	WEATHERING TRI POLY BLACK BULB
2	21-3468		ASM, PANIC CATCH, LOWER PART
3	14-8447		LIMIT ARM SUPPORT
4	24-0016-30		SHSS, 5/16-18 X 1.25", CUP
5	24-9483		PANIC CATCH, UPPER PART
6	24-4941-02	Zinc	FHMS, 1/4-20 X 1", PHIL, TRILOBE, ZN
7	24-0011-105	Zinc	FHMS, 10-32 X 1/2", PHIL, UND, ZN
8	24-0010-16		SHCS, 1/4-20 X 1 1/4"
9	14-2279-04	Smoke Seal Only	PILE WEATHERING, BLK - FOR CARRIER
10	12-10882-01	Clear	CAP, END STRIKE SIDE ASSY. BULB
	12-10882-02	Dark Bronze	CAP, END CARRIER STRIKE SIDE ASSB 313
11	12-10027		30mm HANGER ROLLER & HUB SUBASSY
12	24-0014-39	Green	HWHMS, 1/4-20 X 3/8", SLOT, GREEN
13	14-10907-01		STATIC ARRESTOR STRIP 4"
14	24-0019-05		1/4" EXTERNAL STAR WASHER
15	21-8396		LIMIT ARM ASSY, STD STILES-1100 1175 WS
16	24-0011-77	Zinc	FHCS, 7/16-14 X 1", ZN
17	24-0014-12		HHCS, 1/4-20 X 1 3/4"
18	24-0017-04		WASHER, 1/4 ID X 9/16 OD X .049 THK, STL
19	14-10561-01	Clear	END CAP, PIVOT - TRAIL DOOR MILLED 204
	14-10561-02	Dark Bronze	END CAP, PIVOT - TRAIL DOOR 313
20	24-0011-130	Black Zinc	FHMS 10-32X1/2" PHIL TYP 23, UND, BLK ZN
	24-0011-131	Zinc	FHMS, 10-32X1/2", PHIL, TYP 23, UND, ZN
21	24-12002-10		CARRIER PVT ASSY NARROW STILE-UL PART
	24-12002-20		CARRIER PVT ASSY MED STILE-UL PART
	24-12002-30		CARRIER.PVT ASY - NRW STL-PNL <22.75-UL
	24-12002-40		CARRIER.PVT ASY - MD STL- PNL < 22.75"UL
22	24-0017-02		WASHER, 7/16 ID X 1 OD X .083 THK
23	14-5592-01	Smoke Seal Only/Gray	WEATHER STRIP - 9/16 IN VINYL FIN, GRAY
	14-5592-02	Smoke Seal Only/Black	WEATHER STRIP - 9/16 IN VINYL FIN, BLACK
24	24-0016-51	Black Oxide	SHSS, 5/16-24 X 5/16" CUP PT, BLK OX
25	24-0011-70	Zinc	FHMS, 1/4-20 X 7/16", PHIL, UND, ZN
	24-0011-73	Black Oxide	FHMS, 1/4-20 X 7/16", PHIL, UND, BLK OX
26	24-0094-01		PHSMS, 10 X 1/2", PHIL, TYPE A
27	24-9125-01	Smoke Seal Only/Clear	WEATHERING EXT, 204
	24-9125-02	Smoke Seal Only/Dark Bronze	WEATHERING EXT, 313
28	24-0013-03	Smoke Seal Only/Zinc	PHSMS, 6 X 1/2", PHIL, TEK, ZN
	24-0013-04	Smoke Seal Only/Black Zinc	PHSMS, 6 X 1/2", PHIL, TEK, BLK ZN
29	14-3933-01	Smoke Seal Only/1 inch/Gray	WEATHERING GRAY VINYL 1 IN FIN
	14-3933-02	Smoke Seal Only/1 inch/Black	WEATHERING BLACK VINYL 1 IN FIN
30	12-12958-01	Clear	KIT, ICU D/RECESSED HANDLE
	12-12958-02	Dark Bronze	KIT, ICU D/RECESSED HANDLE

Lead Door			
Item	Part	Finish/Sizes/Notes	Description
31	14-5543-11	Clear	NOSE CASTER ASSY NARROW STILE
	14-5543-12	Dark Bronze	NOSE CASTER ASSY
	14-5543-21	Clear	NOSE CASTER ASSY MED. STILE
	14-5543-22	Dark Bronze	NOSE CASTER ASSY
32	24-0021-21	Zinc	NUT, WHIZLOCK, 3/8-16, ZN
33	14-9225		BACKING PLATE, TIE ROD - DOOR ASSEMBLY
34	24-9504		CLIP, MUNTIN BAR - RAIL .386 HOLE
35	14-3624	Zinc	THREADED ROD, 3/8"-16 - ZINC PLATED
36	24-9503		CLIP, MUNTIN BAR - RAIL .500 HOLE
37	14-9279		OFFSET TEE NUT, 3/8"-16
38	24-9502		CLIP, MUNTIN BAR - RAIL .261 HOLE
39	24-4941-02	Zinc	FHMS, 1/4-20 X 1", PHIL, TRILOBE, ZN
40	14-9511-04		PLUG, DOME
41	24-9094-01	Clear	INTERFACE LEG - 204
	24-9094-02	Dark Bronze	INTERFACE LEG - 313
42	24-0017-46		WASHER, FLAT 1/4X5/8X.051/.080
43	24-0016-05		SHSS, 8-32 X 5/16, CUP PT
44	12-10722		BOTTOM PIVOT BRACKET ASSY
45	24-0011-96		FHMS, 1/4-20 X 3/4, PHIL
46	14-12068		BUMPER - COME ALONG BRACKET
47	24-0010-50		SHCS, 1/4-20 X 3/8", ZN, LOW
48	12-12070-01	RH/Clear	COME ALONG ASSEMBLY RH 204
	12-12070-02	RH/Dark Bronze	COME ALONG ASSEMBLY RH 313
	12-12071-01	LH/Clear	COME ALONG ASSEMBLY LH 204
	12-12071-02	LH/Dark Bronze	COME ALONG ASSEMBLY LH 313
49	24-0011-107		FHMS, 1/4-20 X 7/8", PHIL, ZN