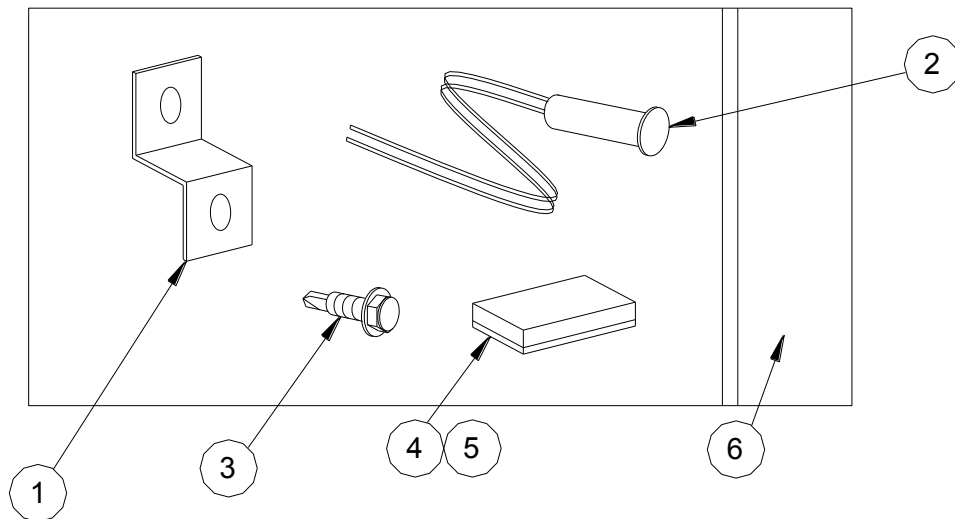




S82 W18717 Gemini Drive, PO Box 906  
 Muskego, WI 53150  
 Phone: (877) 622-2694  
 Fax: (888) 679-3319  
 www.nabcoentrances.com

# INSTRUCTION SHEET FOR THE INSTALLATION OF DRY CONTACT DOOR OPEN AND DOOR CLOSED MAGNETIC SWITCHES ON GT-1175 SLIDING DOORS



DN 0290A

**WARNING**

Turn OFF all power to the Automatic Door if a Safety System is not working.  
 Instruct the Owner to keep all power turned OFF until corrective action can be achieved by a NABCO trained technician. Failure to follow these practices may result in serious consequences.  
 NEVER leave a Door operating without all Safety detection systems operational.

**WARNING**

Do not install or service this product unless you have read and understood the Safety Practices, Warnings, Installation and Operating Instructions contained in this manual.  
 Failure to do so may result in property damage or bodily injury.

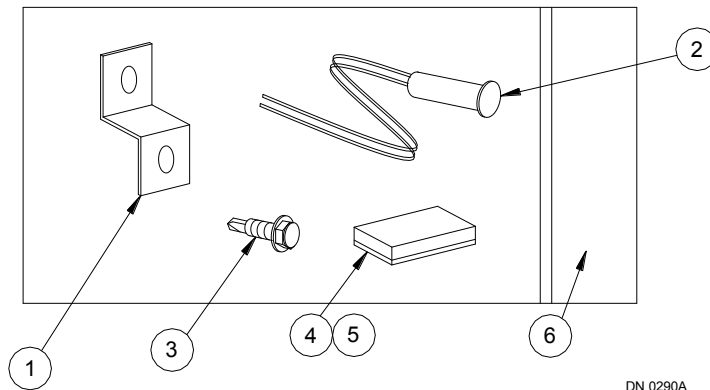
**General Information**

This sheet provides instructions on how to install dry contact magnetic switches on a Gyro Tech GT-1175 automatic Sliding Door System for the purpose of sending Switch Open or Switch Closed signals at either the fully open or fully closed door positions.

**Parts Required**

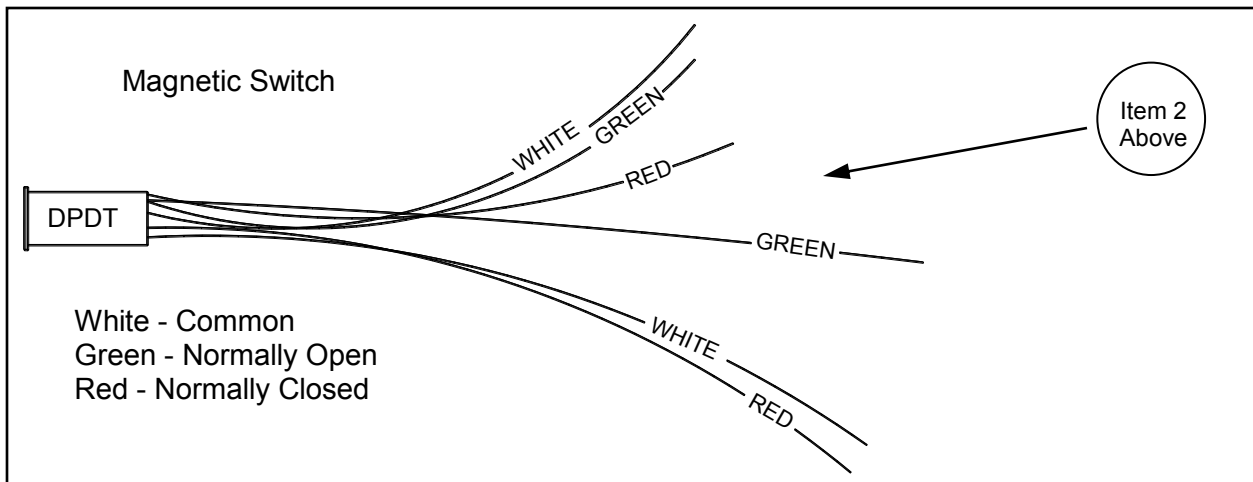
A switch kit (part number 11-11696) is required for each necessary signal. Note: If both full open and full closed signals are required, two kits will be necessary. However, only one magnet from a kit will be affixed to the door carrier. The second magnet will not be used. Note: Contact rating on magnetic switches is limited to 0.25 A @ 20 VDC (5 watts). AC signals are not compatible with this switch.

Below is a list of the parts included in ONE Door Position Switch Assembly P/N 11-11696



DN 0290A

ITEM	QTY	PART NO.	DESCRIPTION
1	1	1410935	MAGNETIC SWITCH MOUNTING BRACKET
2	1	14-11453	MAGNETIC REED SWITCH, DPDT
3	1	240014-30	SCREW, HEX HD CAP #14 X 3/4", SELF DR/TP
4	1	149211	MAGNET, 1/2" X 3/16" X 1-5/16"
5	1-5/16"	148906	TAPE, DBL SIDED - 1" x 36 YARD ROLLS
6	1	140828-01	BAG RECLOSE - 4x6x.002 - 1M/CS



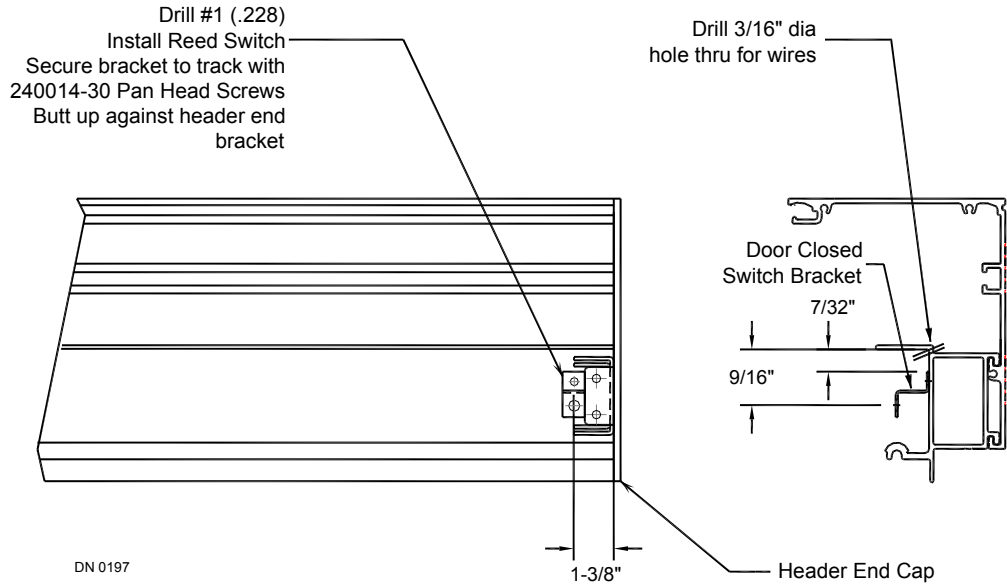
## Installing Switches on a GT-1175 Single Slider

### Step 1:

#### Switch and Bracket Installation - Refer to Figure 3

- A) For a DOOR CLOSED switch signal, install the switch bracket to the top door track where the leading edge of the door meets the jamb.
- B) For the DOOR OPEN switch signal, install a second switch bracket to the top door track behind where the magnet stops at the full open point.

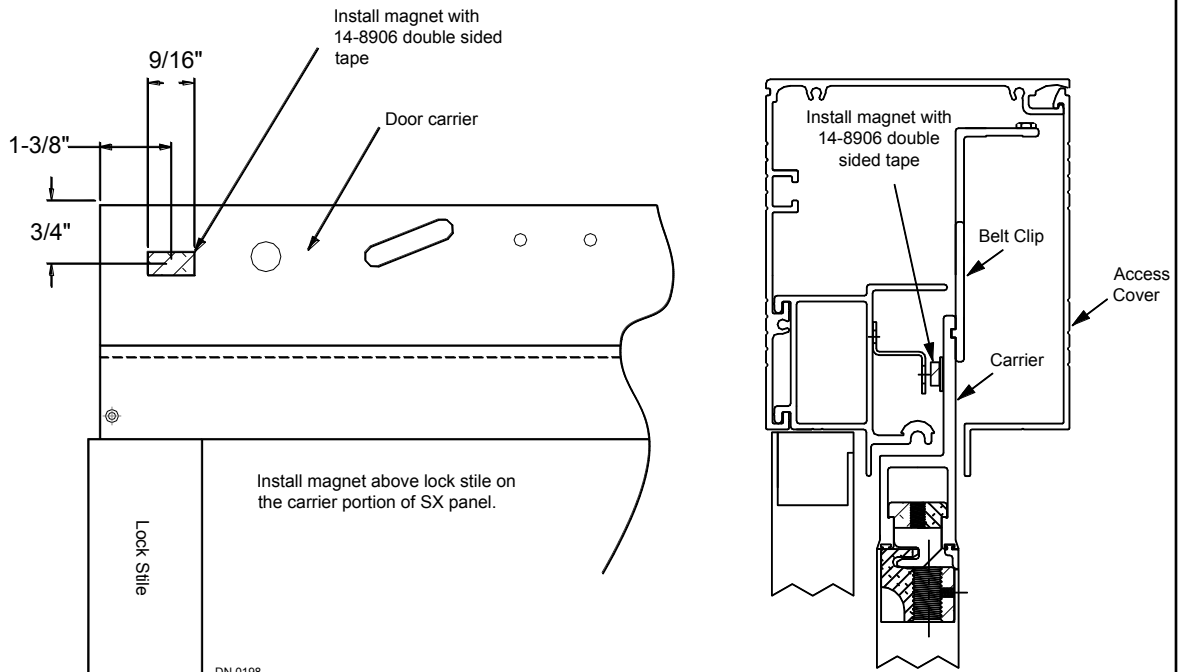
Figure 3 - Magnetic Switch at Door Closed position on Single Slider



### Step 2:

#### Magnet installation

Using double sided tape, affix the magnet to the lock stile end of the door carrier. Note: Magnet must stop on front of door closed switch or door open switch at either end of door travel.



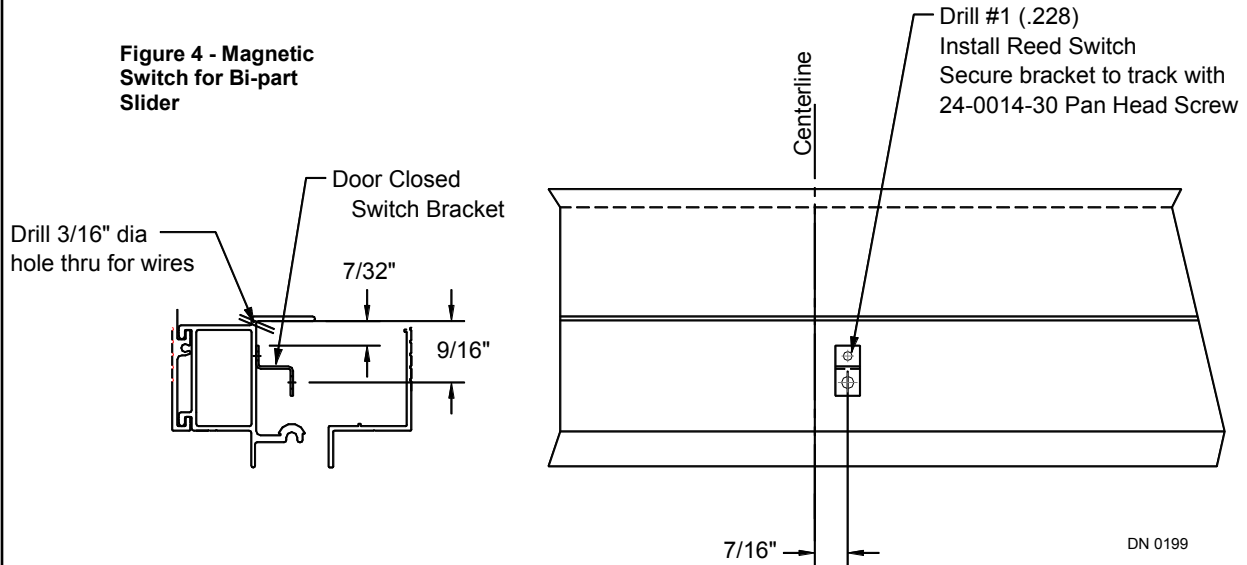
## Installing Switches on a GT-1175 Bi-Parting Slider

### Step 1:

#### Switch and Bracket Installation - Refer to Figure 4

- A) For a DOOR CLOSED switch signal, install the switch bracket to the top door track 7/16" offset from the centerline of the point where both panels meet.
- B) For the DOOR OPEN switch signal, install a second switch bracket to the top door track behind where the magnet stops at the full open point.

Figure 4 - Magnetic Switch for Bi-part Slider



### Step 2:

#### Magnet installation

Using double sided tape, affix the magnet to the lock stile end of the door carrier. Note: Magnet must stop on front of door closed switch or door open switch at either end of door travel.

